

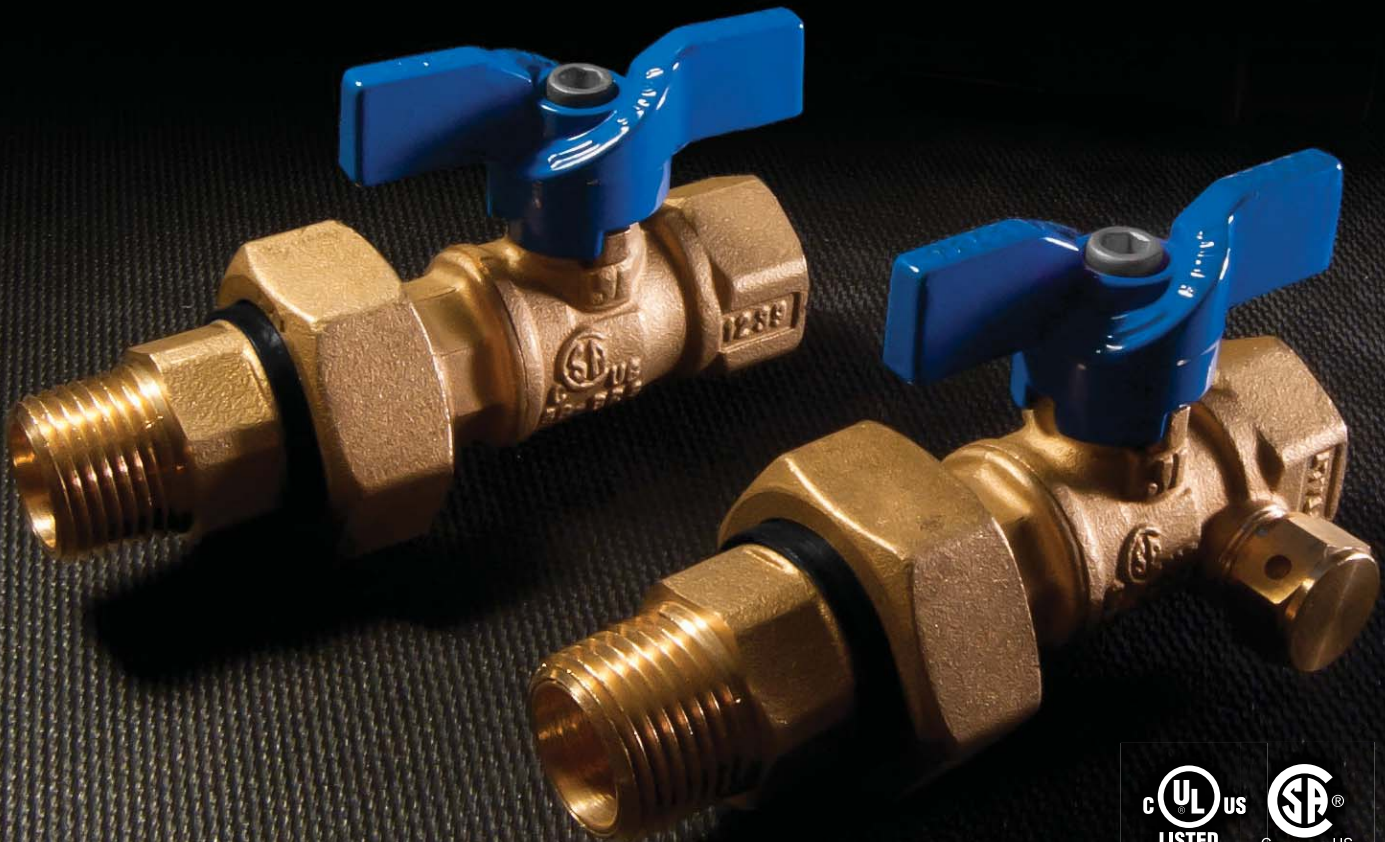


**LP GAS CATALOG**

# T-204DU & T-203DU

**Jomar Valve introduces its latest Patent Pending valve designed to comply with the NFPA 58-11-1 dielectric requirement.**

**These new valves eliminates the need for a separate dielectric fitting, labor to install, and potential leak points by incorporating the dielectric fitting into the end connection of the body.**



Per the 2011 Edition of NFPA 58, Section 6.9.3.16: When using copper tubing, or other metallic piping, a dielectric union shall be installed at the building to isolate the indoor piping from the underground piping. The dielectric union shall be installed above ground and outdoors.

# T-100NE

## The Jomar T-100NE Features...

- Triple Stem Seal
- Geomet® Handle
- Hostaflon® Seats
- Hot forged brass
- Heavy body pattern
- 100% full port
- Blow-out proof two-piece design
- 100% made and tested in Italy



MORE CERTIFICATIONS  
THAN ANY OTHER VALVE

T100NE size 3/4"

CERTIFICATIONS

62527 29092

UL  
UL  
MSS  
SP  
FM  
C  
Listed 842 Listed 125  
MHKZ - Manual Valves  
VQGU - Trim & Drain  
YRBX - Flammable  
YRPV - Gas  
YSQT - LP gas

UL  
LISTED

VQGU - Trim & drain  
MHKZ - Manual valves  
YQNZ - Compressed gas shut-off valves  
YRBX - Flammable liquid shut-off valves  
YRPV - Gas shut-off valves  
YSQT - LP gas shut-off valves  
SFJQ - Valves, refrigerant

SP  
FM  
C  
MSS

# Brass Ball Valves

## T-100NE & S-100NE

2 Piece • Full Port • 600 WOG

- Blow-out proof stem
- 2 Viton® o-rings with Teflon® packing and packing nut
- 100% leak tested
- Made in Italy
- Leakproof stem - Lifetime Warranty

Approvals    

Threaded	Solder	Size	Case	Carton	Weight
100-701	–	1/4"	120	12	42
100-702	–	3/8"	120	12	40
100-703	100-803	1/2"	120	12	64
100-704	100-804	3/4"	72	12	64
100-705	100-805	1"	36	6	57
100-706	100-806	1-1/4"	24	4	60
100-707	100-807	1-1/2"	16	2	52
100-708	100-808	2"	12	2	61
100-709	100-809	2-1/2"	6	2	48
100-710	100-810	3"	4	2	53
100-711	–	4"	2	1	53



T-100NE

S-100NE

## T-100SSE & S-100SSE

2 Piece • Full Port • 600 WOG • with Stainless Steel Trim

- Blow-out proof stem
- T.E.A. Ternary Eco Alloy® coated body
- 2 Viton® o-rings with Teflon® packing and packing nut
- 100% leak tested
- Made in Italy
- Leakproof stem - Lifetime Warranty

Approvals    

Threaded	Solder	Size	Case	Carton	Weight
100-501	–	1/4"	120	12	41
100-502	–	3/8"	120	12	40
100-503	100-513	1/2"	120	12	64
100-504	100-514	3/4"	72	12	65
100-505	100-515	1"	36	6	51
100-506	100-516	1-1/4"	24	4	50
100-507	100-517	1-1/2"	16	4	55
100-508	100-518	2"	12	2	68
100-509	100-519	2-1/2"	6	2	67
100-510	100-520	3"	4	2	69



T-100SSE

S-100SSE

# Brass Ball Valves

## T-82M

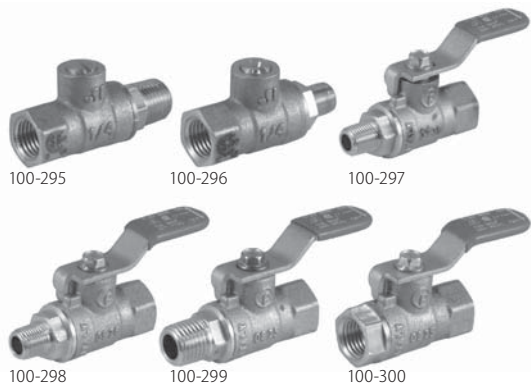
### 2 Piece • Full Port • Mini Valves 600 WOG

- Greater flow rate
- Blow-out-proof stem
- Prevents stem leakage
- 2 Viton® o-rings
- Large raised wrench flats
- 100% leak tested
- Made in Italy
- Leakproof stem - Lifetime Warranty

### Approvals

Screw Driver Slot	Size	Case	Carton	Weight
100-295	1/4" FIP x 1/4" MIP	350	35	70
100-296	1/4" FIP x 1/8" MIP	350	35	70

Regular Handle	Size	Case	Carton	Weight
100-297	1/8" FIP x 1/8" MIP	200	20	40
100-298	1/4" FIP x 1/8" MIP	250	25	49
100-299	1/4" FIP x 1/4" MIP	200	20	49
100-300	1/4" FIP x 1/4" FIP	250	25	49



T-82M

## T-100FMN

### 2 Piece • Full Port • 600 WOG

- Blow-out proof stem
- 2 Viton® o-rings with Teflon® packing and packing nut
- 100% leak tested
- Made in Italy
- Leakproof stem - Lifetime Warranty

### Approvals

Threaded	Size	Case	Carton	Weight
100-601	1/4"	100	10	42
100-602	3/8"	100	10	42
100-603	1/2"	100	10	42
100-604	3/4"	60	10	52
100-605	1"	36	6	51



T-100FMN

# Brass Ball Valves

## T-100STN

**2 Piece • Full Port • Threaded Connection • 600 WOG • with Side Tap**

- Blow-out proof stem
- 2 Viton® o-rings with Teflon® packing and packing nut
- 3/8" - 1" have 1/8" FIP side tap
- 1-1/4" - 2" have 1/4" FIP side tap
- 100% leak tested
- Made in Italy
- Leakproof stem - Lifetime Warranty

**Approvals**  

Part #	Size	Case	Carton	Weight
170-102	3/8"	100	10	65
170-103	1/2"	100	10	65
170-104	3/4"	60	10	53
170-105	1"	36	6	62
170-106	1-1/4"	24	4	55
170-107	1-1/2"	16	2	57
170-108	2"	12	2	60



T-100STN

## T-100UE

**2 Piece • Full Port • Single Union End • Threaded Connection  
600 WOG • with Side Tap**

- FIP x union FIP
- 3/8" - 1" have 1/8" FIP side tap
- 1-1/4" - 2" have 1/4" FIP side tap
- 2 Viton® o-rings with Teflon® packing and packing nut
- Blow-out proof stem
- 100% leak tested
- Made in Italy
- Leakproof stem - Lifetime Warranty

**Approvals** 

Part #	Size	Case	Carton	Weight
160-102	3/8"	-	-	-
160-103	1/2"	60	10	54
160-104	3/4"	36	6	48
160-105	1"	24	4	56
160-106	1-1/4"	16	2	56
160-107	1-1/2"	8	2	58
160-108	2"	8	2	60



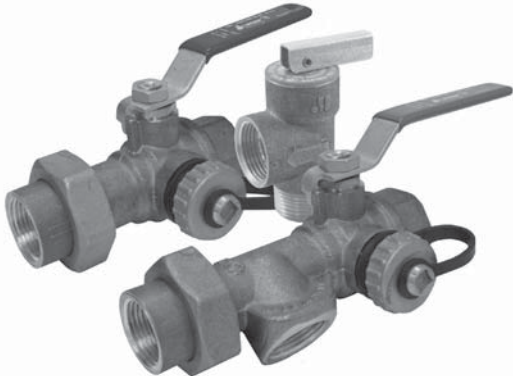
T-100UE

# Brass Ball Valves

## TWV-3W-KIT-G

### 3 Way Ball • Tankless Water Heater Valve Kit • Standard Port • 600 WOG

- NSF 61 Annex G / NSF 372 Certified
- Color coded hot and cold lever handles
- Unique, T.E.A. Ternary Eco Alloy® Coated 3-way style ball
- 2 Viton® o-rings with Teflon® packing and packing nut
- U.S.A. Patent No. 7,762,280 B2
- 3/4" 200,000 BTU/hr LEAD FREE brass pressure relief valve included
- Lead free brass alloy
- 100% leak tested
- Made in Italy
- Leakproof stem - Lifetime Warranty



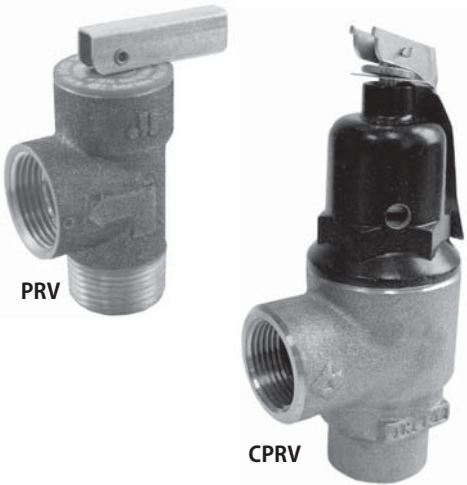
TWV-3W-KIT-G

### Approvals

Connection	Part #	Size	Case	Carton	Weight
Threaded	810-504G	3/4"	12	1	48
Sweat	810-514G	3/4"	12	1	48

## Pressure Relief Valves

- Forged brass construction
- Lead free brass alloy
- PRV - NSF 61 Annex G / NSF 372 Certified
- PRV - Carbon steel pressure spring
- PRV - Made in Italy
- CPRV - Stainless steel pressure spring



PRV

CPRV

### Approvals

Item	Part #	Size	Case	Carton	Weight
Pressure Relief Valve	203-104G	3/4"	100	1	48.6
Commercial Pressure Relief Valve	203-304G	3/4"	100	1	48.6

## TWV-3W-KIT-G-1

### 3 Way Ball • Tankless Water Heater Valve Kit • Standard Port • 600 WOG

- NSF 61 Annex G / NSF 372 Certified
- Color coded hot and cold lever handles
- Unique, T.E.A. Ternary Eco Alloy® coated 3-way style ball
- 2 Viton® o-rings with Teflon® packing and packing nut
- U.S.A. Patent No. 7,762,280 B2
- Lead free brass alloy
- 100% leak tested
- Made in Italy
- Leakproof stem - Lifetime Warranty
- Relief valve sold separately



TWV-3W-KIT-G-1

### Approvals

Connection	Part #	Size	Case	Carton	Weight
Threaded	810-505G	1"	12	1	48

# Thread Sealant

## Gimme the White Stuff™ Slow-Drying Soft-Set PTFE Thread Sealant

Approvals 

Part #	Size	Case	Weight
400-001	2 oz. tube	72	11
400-002	4 oz can	24	13
400-003	8 oz can	24	20
400-004	16 oz can	12	22
400-005	32 oz can	12	39



GIMMIE THE WHITE STUFF

## Gimme the Green Stuff™ Slow-Drying Soft-Set Thread Sealant

Approvals  

Part #	Size	Case	Weight
400-101	2 oz. tube	72	11
400-102	4 oz can	24	13
400-103	8 oz can	24	20
400-104	16 oz can	12	22
400-105	32 oz can	12	39



GIMMIE THE GREEN STUFF

## The Heavyweight® Slow-Drying Soft-Set Extra PTFE Thread Sealant

Approvals 

Part #	Size	Case	Weight
400-201	2 oz. tube	72	11
400-202	4 oz can	24	13
400-203	8 oz can	24	20
400-204	16 oz can	12	22
400-205	32 oz can	12	39



THE HEAVYWEIGHT

## WOG Plus Fast-Drying Hard-Set Water, Oil & Gas Thread Sealant

Approvals 

Part #	Size	Case	Weight
400-302	4 oz can	24	12
400-303	8 oz can	24	21
400-304	16 oz can	12	19
400-305	32 oz can	12	38



WOG PLUS

## Hi-Temp™ Slow-Drying Soft-Set High Temperature Thread Sealant

Part #	Size	Case	Weight
400-403	8 oz can	24	19
400-404	16 oz can	12	15



HI-TEMP



# Gas Ball Valves

**NEW**

## T-203DU

### 2 Piece • Dielectric Union End • 600 WOG • with Side Tap

- Meets NFPA 58, Section 6.9.3.16 dielectric union requirement
- Eliminates need for test tee and labor to install
- Removable plug enables port for pressure gauge
- Valve can be locked in the closed position by reversing the handle
- 2 Viton® o-rings
- 1/8" side tap
- 100% leak tested
- Made in Italy
- Leakproof stem - Lifetime Warranty

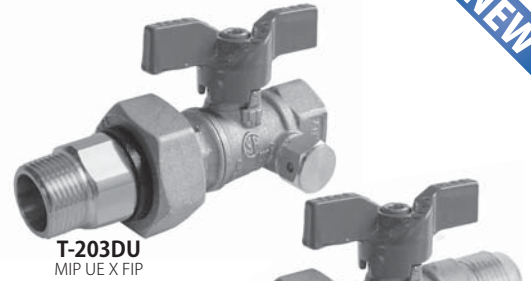
### Approvals

MIP UE x FIP	Size	Case	Carton	Weight
102-303DU	1/2"	80	8	-
102-304DU	3/4"	80	8	-

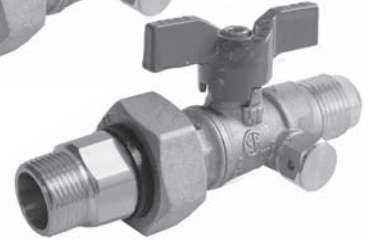
MIP UE x Flare	Size	Case	Carton	Weight
102-403DU	1/2"	80	8	-

FIP UE x FIP	Size	Case	Carton	Weight
102-313DU	1/2"	80	8	-
102-314DU	3/4"	80	8	-

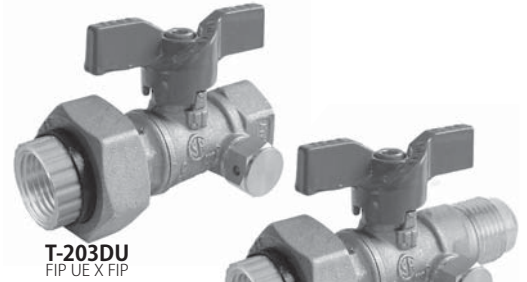
FIP UE x Flare	Size	Case	Carton	Weight
102-413DU	1/2"	80	8	-



**T-203DU**  
MIP UE X FIP



**T-203DU**  
MIP UE X FLARE



**T-203DU**  
FIP UE X FIP



**T-203DU**  
FIP UE X FLARE

## T-203

### 2 Piece • 600 WOG • with Side Tap

- Eliminates need for test tee and labor to install
- Removable plug enables port for pressure gauge
- Valve can be locked in the closed position by reversing the handle
- 2 Viton® o-rings
- 1/8" side tap
- 100% leak tested
- Made in Italy
- Leakproof stem - Lifetime Warranty

### Approvals

FIP x FIP	Size	Case	Carton	Weight
102-301	1/4"	100	10	44
102-302	3/8"	100	10	43
102-303	1/2"	100	10	42
102-304	3/4"	100	10	63

For sizes above 3/4" use T-100STN

Flare x Flare	Size	Case	Carton	Weight
102-402	3/8"	150	15	67
102-403	1/2"	120	12	59
102-404	5/8"	100	10	67

Flare x FIP	Size	Case	Carton	Weight
102-405	1/2"	100	10	67



**T-203**  
FIP X FIP



**T-203**  
FLARE X FLARE



**T-203**  
FIP X FLARE

# Gas Ball Valves

## T-204

### 2 Piece • 600 WOG

- Valve can be locked in the closed position by reversing the handle
- T-handle and teardrop handle available
- 2 Viton® o-rings
- 100% leak tested
- Made in Italy
- Leakproof stem - Lifetime Warranty

### Approvals

FIP x FIP		Size	Case	Cart	Weight
T-handle	Teardrop				
101-401	101-411	1/4"	120	12	43
101-402	101-412	3/8"	120	12	40
101-403	101-413	1/2"	120	12	53
101-403NH	-	1/2"	120	12	53
101-404	101-414	3/4"	120	12	74
101-404BRT	-	3/4"	120	12	74

For sizes above 3/4" use T-100C

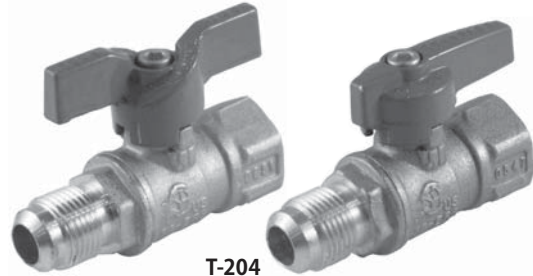
Flare x FIP		Size	Case	Cart	Weight
T-handle	Teardrop				
101-502	101-512	1/2" x 3/8"	140	14	59
101-503	101-513	1/2" x 1/2"	140	14	62
101-504	-	3/4" x 5/8"	140	14	-

Flare x Flare		Size	Case	Cart	Weight
Teardrop	Teardrop				
101-601	-	1/2" x 3/8"	120	12	50
101-602	101-612	3/8" x 3/8"	120	12	48
101-603	101-613	1/2" x 1/2"	120	12	52
101-604	101-614	5/8" x 5/8"	120	12	74

MIP x Flare		Size	Case	Carton	Weight
T-handle					
101-702		1/2" x 3/8"	120	12	61
101-703		1/2" x 1/2"	120	12	64



T-204  
FIP X FIP



T-204  
FIP X FLARE



T-204  
FLARE X FLARE



T-204  
MIP X FLARE

# Gas Ball Valves

**NEW**

## T-204DU

### 2 Piece • Dielectric Union End • 600 WOG

- Meets NFPA 58, Section 6.9.3.16 dielectric union requirement
- Valve can be locked in the closed position by reversing the handle
- 2 Viton® o-rings
- 100% leak tested
- Made in Italy
- Leakproof stem - Lifetime Warranty

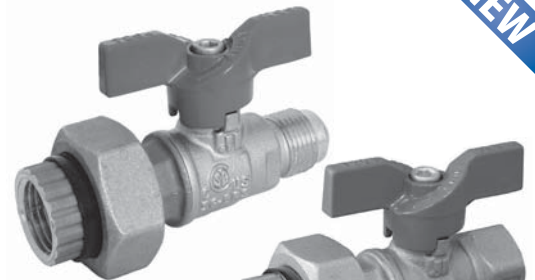
### Approvals

FIP UE x Flare	Size	Case	Carton	Weight
101-513DU	1/2" x 1/2"	80	8	-

FIP UE x FIP	Size	Case	Carton	Weight
101-403DU	1/2" x 1/2"	80	8	-
101-404DU	3/4" x 3/4"	80	8	-

MIP UE x Flare	Size	Case	Carton	Weight
101-703DU	1/2" x 1/2"	80	8	-

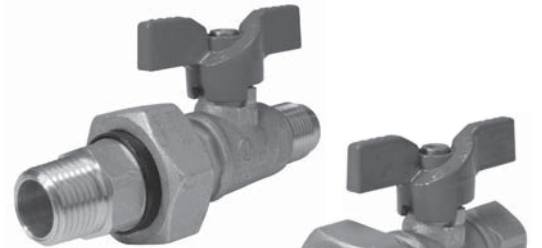
MIP UE x FIP	Size	Case	Carton	Weight
101-803DU	1/2" x 1/2"	80	8	-
101-804DU	3/4" x 3/4"	80	8	-



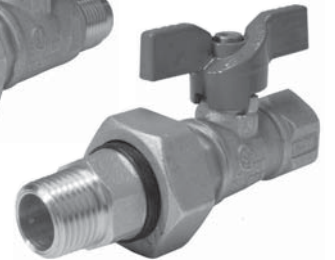
**T-204DU**  
FIP UE X FLARE



**T-204DU**  
FIP UE X FIP



**T-204DU**  
MIP UE X FLARE



**T-204DU**  
MIP UE X FIP

## T-205

### 2 Piece • 400 WOG

- Valve can be locked in the closed position by reversing the handle
- 2 Viton® o-rings with Teflon® packing and packing nut
- 100% leak tested
- Made in Italy
- Leakproof stem - Lifetime Warranty

### Approvals

Red T-Handle	Size	Case	Carton	Weight
102-503	1/2"	160	16	58
102-504	3/4"	120	12	64
102-505	1"	72	12	67

Yellow Teardrop	Size	Case	Carton	Weight
102-513	1/2"	120	12	43
102-514	3/4"	100	10	53



**T-205**  
T-HANDLE



**T-205**  
TEARDROP HANDLE

# Stainless Steel Ball Valves

## T-SS-1001N

**2 Piece • Full Port • 1000 WOG**

- Solid ball construction
- Latch lock handle may be locked in open or closed position
- 29 in-HG vacuum rating
- 100% leak tested

**Approvals** 

Part #	Size	Carton	Weight
100-961	1/4"	10	7
100-962	3/8"	10	7
100-963	1/2"	10	8
100-964	3/4"	10	16
100-965	1"	8	18
100-966	1-1/4"	5	18
100-967	1-1/2"	5	26
100-968	2"	2	17



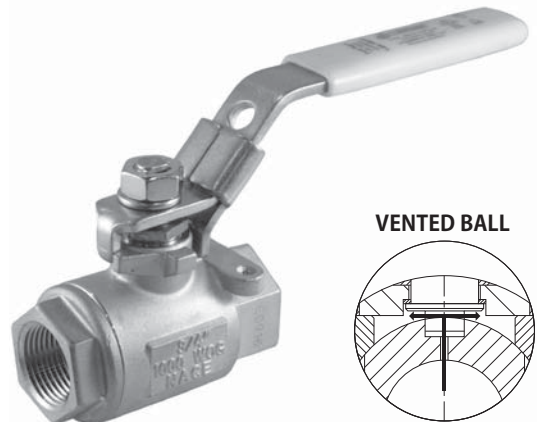
T-SS-1001N

## T-SS-1001N-VB

**2 Piece • Full Port • 1000 WOG •with Vented Ball**

- Solid ball construction
- Latch lock handle may be locked in open or closed position
- AVS medium vacuum rating
- 100% leak tested

Part #	Size	Case	Carton	Weight
100-961VB	1/4"	84	14	49
100-962VB	3/8"	84	14	49
100-963VB	1/2"	72	12	61
100-964VB	3/4"	54	9	64
100-965VB	1"	24	4	49
100-966VB	1-1/4"	12	2	57
100-967VB	1-1/2"	12	2	48
100-968VB	2"	8	2	49



VENTED BALL

T-SS-1001N-VB

## T-SS-2000N

**2 Piece • Standard Port • 2000 WOG**

- Solid ball construction
- 29 in-HG vacuum rating
- Latch lock may be locked in open or closed position
- 100% leak tested

**Approvals** 

Part #	Size	Carton	Weight
100-931	1/4"	10	6
100-932	3/8"	10	5
100-933	1/2"	10	7
100-934	3/4"	10	14
100-935	1"	10	19
100-936	1-1/4"	5	14
100-937	1-1/2"	5	20
100-938	2"	5	29



T-SS-2000N

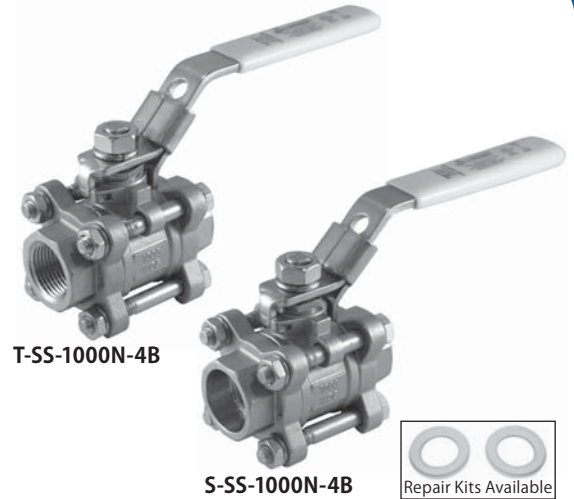
# Stainless Steel Ball Valves

## T-SS-1000N-4B & S-SS-1000N-4B

- 3 Piece 4 Bolt • Swing Out Body • Full Port • 1000 WOG**
- Latch lock handle, may be locked in open or closed positions
  - 29 in-HG vacuum rating
  - Repair kit available
  - 100% leak tested

Approvals 

Threaded	Solder	Size	Carton	Weight
500-301	500-341	1/4"	10	10
500-302	500-342	3/8"	10	10
500-303	500-343	1/2"	10	14
500-304	500-344	3/4"	10	21
500-305	500-345	1"	8	25
500-306	500-346	1-1/4"	5	24
500-307	500-347	1-1/2"	5	34
500-308	500-348	2"	2	21
500-310	500-350	3"	2	56
500-311	500-351	4"	1	45



## T-SS-2001N-4B & S-SS-2001N-4B

- 3 Piece 4 Bolt Enclosed • Standard Port • 2000 WOG**
- Latch lock handle
  - Reversible handle for multiple applications
  - Solid ball construction
  - Blow out proof stem
  - Latch lock handle may be locked in open or closed position
  - ISO 5211 mounting pad for actuation
  - 29 in-HG vacuum rating
  - 100% leak tested

Approvals  T-SS-2001N-4B Only

Threaded	Solder	Size	Carton	Weight
601-603	601-623	1/2"	10	19
601-604	601-624	3/4"	10	23
601-605	601-625	1"	8	31
601-606	601-626	1-1/4"	5	31
601-607	601-627	1-1/2"	5	39
601-608	601-628	2"	2	22



## T-SS-2000N-DH

- 2 Piece • Standard Port • 2000 WOG • with Spring Return Handle**
- 1-1/4" - 2" 3 piece, 4 bolt pattern
  - Solid ball construction
  - 29 in-HG vacuum rating
  - Latch lock may be locked in open or closed position
  - 100% leak tested

Approvals  LISTED T only

Part #	Size	Carton	Weight
100-931DH	1/4"	10	1.34
100-932DH	3/8"	10	1.34
100-933DH	1/2"	10	1.34
100-934DH	3/4"	8	2.05
100-935DH	1"	8	2.53
100-936DH	1-1/4"	-	-
100-937DH	1 1/2"	-	-
100-938DH	2"	-	-



**NEW**

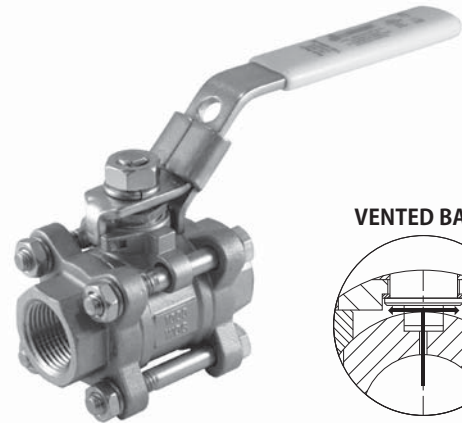
# Stainless Steel Ball Valves

## T-SS-1000N-4B-VB

**3 Piece 4 Bolt • Swing Out Body • Full Port • 1000 WOG**

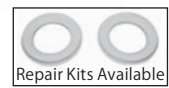
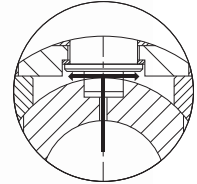
- Latch lock handle, may be locked in open or closed positions
- 29 in-HG vacuum rating
- Repair kit available
- AVS medium vacuum rating
- 100% leak tested

Part #	Size	Case	Carton	Weight
500-301VB	1/4"	72	12	48
500-302VB	3/8"	72	12	48
500-303VB	1/2"	60	10	68
500-304VB	3/4"	36	6	65
500-305VB	1"	12	2	48
500-306VB	1-1/4"	12	2	60
500-307VB	1-1/2"	8	2	55
500-308VB	2"	8	2	48
500-310VB	3"	2	1	45
500-311VB	4"	1	1	45



T-SS-1000N-4B-VB

VENTED BALL



Repair Kits Available

## T-SS-2002N-DUE & S-SS-2002N-DUE

**5 Piece • Full Port • Double Union End • 3000 WOG**

- Solid ball construction
- 5 piece construction
- Mounting pad
- Reversible handle
- Adjustable stem packing with blow out proof stem
- 29 in-HG vacuum rating
- 100% leak tested

**Approvals**  LISTED  
T-SS-2002N-DUE  
S-SS-2002N-DUE

Threaded	Solder	Size	Carton	Weight
100-981	101-981	1/4"	10	20
100-982	101-982	3/8"	10	19
100-983	101-983	1/2"	10	17
100-984	101-984	3/4"	8	20
100-985	101-985	1"	8	30
100-986	101-986	1-1/4"	6	34
100-987	101-987	1-1/2"	4	35
100-988	101-988	2"	2	26



T-SS-2002N-DUE

S-SS-2002N-DUE

## T-SS-1000

**1 Piece • Full Port • 1000 WOG**

- Solid ball construction
- Corrosion resistant
- 29 in-HG vacuum rating
- 100% leak tested

Part #	Size	Carton	Weight
500-098	1/8" FIP x 1/8" MIP	10	2
500-099	1/4" FIP x 1/4" MIP	10	4
500-100	1/4" FIP x 1/4" FIP	10	2
500-101	1/4" FIP x 1/4" FIP	10	2
500-102	3/8" FIP x 3/8" FIP	10	2



500-098

500-099

500-100

500-101

500-102

T-SS-1000

# Carbon Steel Ball Valves

## T-CS-1000N-SS-4B & S-CS-1000N-SS-4B

- 3 Piece 4 Bolt • Swing Out Body • Full Port • 1000 WOG**
- Latch lock handle, may be locked in open or closed positions
  - 29 in-HG vacuum rating
  - Repair parts available
  - 100% leak tested

**Approvals** 

Threaded	Solder	Size	Carton	Weight
500-401	–	1/4"	10	10
500-402	–	3/8"	10	10
500-403	500-503	1/2"	10	14
500-404	500-504	3/4"	10	21
500-405	500-505	1"	8	25
500-406	500-506	1-1/4"	5	24
500-407	500-507	1-1/2"	5	34
500-408	500-508	2"	2	21



## T-CS-2001N-SS-4B & S-CS-2001N-SS-4B

- 3 Piece 4 Bolt Enclosed • Standard Port • 2000 WOG**
- Latch lock handle
  - Reversible handle for multiple applications
  - Solid ball construction
  - Blow out proof stem
  - Latch lock may be locked in open or closed position
  - ISO 5211 mounting pad for actuation
  - 29 in-HG vacuum rating
  - Fire safe rated
  - 100% leak tested

**Approvals** 

Threaded	Solder	Size	Carton	Weight
601-613	601-633	1/2"	10	19
601-614	601-634	3/4"	10	23
601-615	601-635	1"	8	31
601-616	601-636	1-1/4"	5	31
601-617	601-637	1-1/2"	5	39
601-618	601-638	2"	2	22



# Carbon Steel Ball Valves

## T-CS-2002N-SS-DUE & S-CS-2002N-SS-DUE

5 Piece • Full Port • Double Union End • 3000 WOG

- Solid ball construction
- 5 piece construction
- Mounting pad
- Reversible handle
- Adjustable stem packing with blow out proof stem
- 29 in-HG vacuum rating
- 100% leak tested

Approvals  T-CS-2002N-SS-DUE Only

Threaded	Solder	Size	Carton	Weight
100-991	101-991	1/4"	10	20
100-992	101-992	3/8"	10	19
100-993	101-993	1/2"	10	18
100-994	101-994	3/4"	8	21
100-995	101-995	1"	8	31
100-996	101-996	1-1/4"	6	35
100-997	101-997	1-1/2"	4	36
100-998	101-998	2"	2	26



T-CS-2002N-SS-DUE



S-CS-2002N-SS-DUE

## T-CS-1001N-SS

2 Piece • Full Port • 1000 WOG

- Solid ball construction
- Latch lock handle may be locked in open or closed position
- 29 in-HG vacuum rating
- 100% leak tested

Approvals 

Part #	Size	Carton	Weight
100-971	1/4"	10	7
100-972	3/8"	10	7
100-973	1/2"	10	8
100-974	3/4"	10	16
100-975	1"	8	18
100-976	1-1/4"	5	18
100-977	1-1/2"	5	26
100-978	2"	2	17



T-CS-1001N-SS



# Carbon Steel Ball Valves

## T-CS-2000N-SS

### 2 Piece • Standard Port • 2000 WOG

- Solid ball construction
- Latch lock may be locked in open or closed position
- 29 in-HG vacuum rating
- 100% leak tested

### Approvals

Part #	Size	Carton	Weight
100-951	1/4"	10	6
100-952	3/8"	10	5
100-953	1/2"	10	7
100-954	3/4"	10	14
100-955	1"	5	19
100-956	1-1/4"	5	14
100-957	1-1/2"	5	20
100-958	2"	5	29



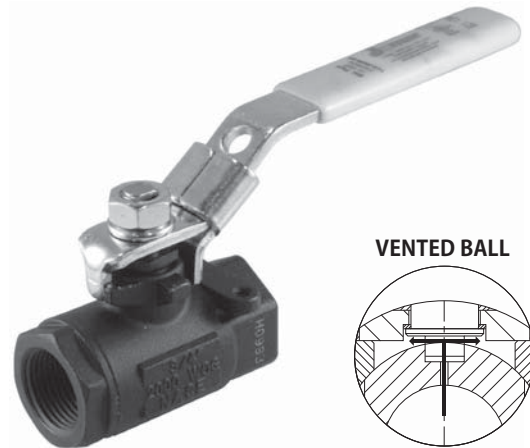
T-CS-2000N-SS

## T-CS-2000N-SS-VB

### 2 Piece • Standard Port • 2000 WOG • with Vented Ball

- Solid ball construction
- Latch lock may be locked in open or closed position
- AVS medium vacuum rating
- 100% leak tested

Part #	Size	Case	Carton	Weight
100-951VB	1/4"	72	12	56
100-952VB	3/8"	72	12	56
100-953VB	1/2"	54	9	71
100-954VB	3/4"	42	7	75
100-955VB	1"	24	4	52
100-956VB	1-1/4"	14	2	68
100-957VB	1-1/2"	8	2	65
100-958VB	2"	8	2	61



T-CS-2000N-SS-VB

# Stainless Steel Flanges

## FL-SS-100-150

**2 Piece • Full Port • Flanged Connection • Class 150**

- Wrench operator
- Fire safe stem and body graphite seals
- Air tested seat leakage: 85 PSI
- Hydraulic tested body: 427 PSI
- Locking devices comes standard
- 100% leak tested

**Approvals**  

Part #	Size	Carton	Weight
600-103	1/2"	2	8
600-104	3/4"	2	10
600-105	1"	2	14
600-107	1-1/2"	2	27
600-108	2"	1	22
600-109	2-1/2"	1	35
600-110	3"	1	48
600-111	4"	1	75
600-112	6"	1	68
600-113*	8"	1	305
600-114*	10"	1	475
600-115*	12"	1	817

\*Special order



FL-SS-100-150

## FL-SS-100-300

**2 Piece • Full Port • Flanged Connection • Class 300**

- Wrench operator
- Fire safe stem and body graphite seals
- Air tested seat leakage: 85 PSI
- Hydraulic tested body: 1124 PSI
- Locking device comes standard
- 100% leak tested

**Approvals** 

Part #	Size	Carton	Weight
600-128	2"	1	22
600-130	3"	1	48
600-131	4"	1	75
600-132	6"	1	68
600-133*	8"	1	305

\*Special order



FL-SS-100-300

# Carbon Steel Flanges

## FL-CS-100-150

### 2 Piece • Full Port • Flanged Connections • Class 150

- Wrench operator
- Fire safe stem and body graphite seals
- Air tested seat leakage: 85 PSI
- Hydraulic tested body: 427 PSI
- Conforms to ANSI B16.34
- Locking device comes standard
- 100% leak tested

Approvals  

Part #	Size	Carton	Weight
600-203	1/2"	2	8
600-204	3/4"	2	10
600-205	1"	2	14
600-207	1-1/2"	2	27
600-208	2"	1	22
600-209	2-1/2"	1	35
600-210	3"	1	48
600-211	4"	1	75
600-212	6"	1	168
600-213*	8"	1	305
600-214*	10"	1	475
600-215*	12"	1	817

\*Special order



FL-CS-100-150

## FL-CS-100-300

### 2 Piece • Full Port • Flanged Connection • Class 300

- Wrench operator
- Fire safe stem and body graphite seals
- Air tested seat leakage: 85 PSI
- Hydraulic tested body: 1124 PSI
- Locking device comes standard
- 100% leak tested

Approvals 

Part #	Size	Carton	Weight
600-228	2"	1	22
600-230	3"	1	48
600-231	4"	1	75
600-232	6"	1	168
600-233*	8"	1	305

\*Special order



FL-CS-100-300

# Lockwings

## 175-LWN

### Utility Gas Ball Valve • Full Port • 175 PSIG

- Tamper resistant lockwing cap
- 2 Viton® o-rings
- 100% leak tested
- Made in Italy
- Leakproof stem - Lifetime Warranty

### Approvals

Part #	Size	Case	Carton	Weight
240-003B	1/2"	40	10	52
240-003P	1/2"	40	10	52
240-004B	3/4"	40	10	52
240-004P or T	3/4"	40	10	52
240-005B	1"	24	6	50
240-005P or T	1"	24	6	50
240-006B	1-1/4"	16	4	48
240-006P or T	1-1/4"	16	4	48
240-007B	1-1/2"	12	3	48
240-007P or T	1-1/2"	12	3	48
240-008B	2"	8	2	48
240-008P or T	2"	8	2	48

B = Brass, P = Painted, T = TEA Coated



175-LWN  
BRASS



175-LWN  
PAINTED



175-LWN  
T.E.A. COATED

## 125-LWN

### Utility Gas Ball Valve • Full Port • 125 PSIG

- Tamper resistant lockwing cap
- 2 Viton® o-rings
- 100% leak tested
- Made in Italy
- Leakproof stem - Lifetime Warranty

### Approvals

FIP x FIP	Size	Case	Carton	Weight
242-004B	3/4"	40	10	52
242-004P	3/4"	40	10	52
242-005B	1"	24	6	50
242-005P	1"	24	6	50

MIP x FIP	Size	Case	Carton	Weight
246-005B	1"	20	5	36

B = Brass, P = Painted



125-LWN FIP X FIP  
BRASS



125-LWN FIP X FIP  
PAINTED



125-LWN MIP X FIP  
BRASS

# Lockwings

## 175-LWIN

### Utility Gas Ball Valve • Full Port • 175 PSIG with Insulated Tail Piece

- Tamper resistant locking cap
- 2 Viton® o-rings
- 100% leak tested
- Made in Italy
- Leakproof stem - Lifetime Warranty

### Approvals

Part #	Size	Case	Carton	Weight
241-004D	3/4"	30	5	58
241-004P or T	3/4"	30	5	58
241-005B	1"	16	4	51
241-005P or T	1"	16	4	51
241-006D	1-1/4"	12	3	51
241-006P or T	1-1/4"	12	3	51

D/B = Brass, P = Painted, T = TEA Coated

Ext. Male Tailpiece	Size	Case	Carton	Weight
241-004EUM	3/4"	1	1	-



## 125-LWBP

### Utility Gas Ball Valve • Full Port • Service Bypass • 125 PSIG

- Tamper resistant locking cap
- 2 Viton® o-rings
- 100% leak tested
- Made in Italy
- Leakproof stem - Lifetime Warranty
- Patented security shutter and locking tab
  - US Patent no. 6,648,009

Part #	Size	Case	Carton	Weight
244-005B	1"	20	5	39
244-005P	1"	20	5	39

B = Brass, P = Painted



# Lockwings

## 175-LWBP

### Utility Gas Ball Valve • Full Port • Service Bypass • 175 PSIG

- Tamper resistant lockwing cap
- 2 Viton® o-rings
- 100% leak tested
- Made in Italy
- Leakproof stem - Lifetime Warranty
- Patented security shutter and lockwing tab
  - US Patent no. 6,648,009

Part #	Size	Case	Carton	Weight
244-004B	3/4"	20	5	-



175-LWBP

## 175-LWIBP

### Utility Gas Ball Valve • Full Port • Service Bypass • 175 PSIG with Insulated Tail Piece

- Tamper resistant lockwing cap
- 2 Viton® o-rings
- 100% leak tested
- Made in Italy
- Leakproof stem - Lifetime Warranty
- Patented security shutter and lockwing tab
  - US Patent no. 6,648,009

Part #	Size	Case	Carton	Weight
243-004D	3/4"	20	5	39
243-004P	3/4"	20	5	39

D = Brass, P = Painted

175-LWIBP-EXT	Size	Case	Carton	Weight
243-004EXT	3/4"	1	1	-



175-LWIBP



175-LWIBP-EXT



Replacement o-rings, union nuts and tailpieces available upon request

## 125-LWUBP

### Utility Gas Ball Valve • Full Port • Service Bypass • 125 PSIG with Union Tail Piece

- Tamper resistant lockwing cap
- 2 Viton® o-rings
- 100% leak tested
- Made in Italy
- Leakproof stem - Lifetime Warranty
- Patented security shutter and lockwing tab
  - US Patent no. 6,648,009

Part #	Size	Case	Carton	Weight
244-105B	1"	20	5	42
244-105P	1"	20	5	42

B = Brass, P = Painted



125-LWUBP



Replacement o-rings, union nuts and tailpieces available upon request

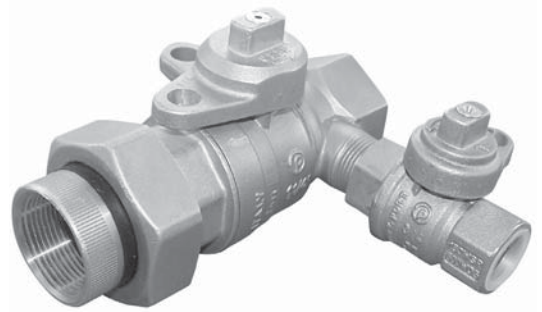
# Lockwings

## 175-LWIBP Commercial Bypass

Utility Gas Ball Valve • Full Port • Service Bypass • 175 PSIG  
with Insulated Tail Piece

- Tamper resistant locking cap
- 2 Viton® o-rings
- 100% leak tested
- Made in Italy
- Leakproof stem - Lifetime Warranty

Part #	Size	Case	Carton	Weight
243-006B	1-1/4"	1	1	13



175-LWIBP COMMERCIAL BYPASS



Replacement o-rings, union nuts and tailpieces available upon request

## 175-LWBP Commercial Bypass

Utility Gas Ball Valve • Full Port • Service Bypass • 175 PSIG

- Tamper resistant locking cap
- 2 Viton® o-rings
- 100% leak tested
- Made in Italy
- Leakproof stem - Lifetime Warranty
- Meets or exceeds applicable part of DOT 192 and ANSI B16.33
- Threads conform to ANSI B1.20.1

Part #	Size	Case	Carton	Weight
244-008B	2"	1	1	30



175-LWBP COMMERCIAL BYPASS

## Bypass Key

Part #	Case	Carton	Weight
243-004K	1	1	0.14



BYPASS KEY

# Accessories

## Pressure Temperature Port

Water Use Only (Nordel Core)	Gas Use Only (Neoprene Core)	Size
161-100	161-100NEO	1/8"
161-101	161-101NEO	1/4"



## Square Head Top

Fits any T-100 or S-100

Part #	Size
899-113	1/2"
899-114	3/4"
899-115	1", 1-1/4"
899-117	1-1/2", 2"



## Lift-N-Lock

Spring Loaded Locking Device

Fits any T-100 or S-100

Open & Closed	Closed Only	Size	Type
210-994	210-994C	1/4", 3/8", 1/2"	1
210-995	210-995C	3/4"	2
210-996	210-996C	1", 1-1/4"	3
210-997	210-997C	1-1/2", 2"	4
210-998	210-998C	2-1/2", 3"	5
	210-999C	4"	6



## Stem Extension

2" Handle Extension

Fits any T-100 or S-100

Part #	Size	Type
230-004	1/4, 3/8", 1/2"	1
230-005	3/4"	2
230-006	1", 1-1/4"	3
230-007	1-1/2", 2"	4
230-008	2-1/2", 3"	5



## Round 304 Stainless Steel Handle

Fits any T-100 or S-100

Part #	Size
220-501	1/4", 3/8", 1/2"
220-504	3/4"
220-505	1", 1-1/4"
220-508	1 1/2", 2"
220-510	2 1/2", 3"
220-511	4"





# Accessories

## Stainless Steel Lever Handle and Nut

Fits any T-100 or S-100

Part #	Size
220-299	1/4" MINI
220-300	1/4", 3/8", 1/2"
220-301	3/4"
220-302	1", 1-1/4"
220-303	1 1/2", 2"
220-305	2 1/2", 3"
220-306	4"



## Yellow Lever Handle

Fits any T-100 or S-100

Part #	Size
899-701	1/4", 3/8", 1/2"
899-704	3/4"
899-705	1", 1-1/4"
899-708	1 1/2", 2"
899-710	2 1/2", 3"
899-711	4"



## Red Aluminum T-handle

Fits any T-100 or S-100

Part #	Size	Type
220-204	1/4", 3/8", 1/2"	1
220-205	3/4"	2
220-206	1", 1-1/4"	3



## Red Aluminum Lever Handle

Fits any T-100, S-100 or JP-100

Part #	Size	Type	List Price
220-114	1/4", 3/8", 1/2"	1	\$3.71
220-115	3/4"	2	\$5.04
220-116	1", 1-1/4"	3	\$7.70
220-117	1-1/2", 2"	4	\$13.27



## Stem Memory Stop

View Master Memory Stop

Fits any T-100 or S-100

Part #	Size	Type
220-103	1/4", 3/8", 1/2"	1
220-104	3/4"	2
220-105	1", 1-1/4"	3
220-106	1-1/2", 2"	4



Shown on 1" T-100

# Accessories

## Slo-Ball Handle 270° Gear-Closing Handle

Fits any T-100 or S-100

Part #	Size	Type
220-014	1/4", 3/8", 1/2"	1
220-015	3/4"	2
220-016	1", 1-1/4"	3
220-017	1-1/2", 2"	4



## Long Neck T-handle Long Neck Handles

Fits any T-100, S-100 or JP-100

Part #	Size	Type	List Price
220-223	1/4", 3/8", 1/2"	1	\$3.14
220-224	3/4"	2	\$3.42
220-225	1", 1-1/4"	3	\$5.09



## Locking Handle for T-SS-1001VB

Fits an T-SS-1001VB

Part #	Size	List Price
899-713VB	1/4"-1/2"	\$5.94
899-714VB	3/4"	\$9.18
899-715VB	1"-1-1/4"	\$13.65
899-717VB	1 1/2"-2"	\$20.35
899-719VB	2 1/2"-3"	\$45.65



## Locking Handle for T-SS-2002N-DUE

Fits an T-SS-2002N-DUE

Part #	Size	List Price
100-991LH	1/4"	\$15.13
100-992LH	3/8"	\$15.13
100-993LH	1/2"	\$15.13
100-994LH	3/4"	\$17.94
100-995LH	1"	\$17.94
100-996LH	1-1/4"	\$21.18
100-997LH	1-1/2"	\$21.18
100-998LH	2"	\$25.60



# TERMS AND CONDITIONS OF SALE

## UNLESS OTHERWISE SPECIFIED IN WRITING THE FOLLOWING WILL PREVAIL

### GENERAL

The possession of the Jomar International catalog and/or literature is not to be construed as an offer to sell the goods listed herein. All orders shall be subject to the approval and acceptance of Jomar International, hereinafter referred to as the Company, at its principal office in Warren, Michigan.

All Company proposals, all acceptances of Purchaser's orders, and all sales by the Company are expressly limited to, and expressly made conditional upon, the Purchaser's acceptance and assent to the Standard Terms and Conditions of Sale as set forth herein, notwithstanding receipt of, or acknowledgment of, the Purchaser's order form or specifications containing additional or different provisions, or conflicting oral representations by any agent or employee of the Company. No waiver, change or modification of any terms or conditions on the face or reverse hereof shall be binding on the Company unless made in writing and signed by an officer of the Company.

### PRICES AND TERMS

All prices are subject to change without notice. Minimum billing is \$50.00. Terms are 2% 10 days, NET 30 days subject to approved credit. Not applicable to credit card payments. Shipments can be expected, prior to establishing credit, by including check with order for full amount or specifying C.O.D.

Any order originating outside the contiguous United States, Alaska, Hawaii or Canada shall be subject to an irrevocable letter of Credit confirmed by a U.S. bank or a sight draft.

1-1/2% per month service charge on all balances unpaid by the 1st of the following month (18% annual interest rate).

### PERFORMANCE GUARANTEE

The Company guarantees to the original purchaser that the equipment of its manufacture will perform at rated capacity as stated only when (1) properly installed, connected, started, operated and maintained in accordance with Company Instruction(s), and or Information Guide(s), as revised from time to time, and (2) used for the applications specified and (3) used in the environments as specified or as limited. If equipment is part of a greater system, the Company accepts responsibility only for the equipment manufactured by it.

**THIS EQUIPMENT MUST BE INSTALLED, OPERATED, AND MAINTAINED IN ACCORDANCE WITH THE APPROPRIATE INSTRUCTIONS(S) AND/OR INFORMATION GUIDE(S), AS REVISED FROM TIME TO TIME, PURCHASERS OF THE COMPANY'S EQUIPMENT WAIVE SUBROGATION ON ALL ITEMS COVERED UNDER THEIR OWN OR OTHER INSURANCE.**

### LIMITED WARRANTY ON THE EQUIPMENT ITSELF

The Company, for a period of one year from the date of shipment, warrants each product or system of its own manufacture to the original purchaser to be free from defects in material and workmanship under normal use, service and maintenance. Normal use, service and maintenance means:

- Not in excess of the maximum pressures, temperatures, volumes and rated capacities or other parameters specified in the Company's Product Bulletins, Specification Sheets, and/or quotation(s).
- Using only fluids specified in the Company's Product Bulletins, Specification Sheets, and/or quotations.
- Operation and maintenance in compliance with the appropriate instructions and/or Information Guides.

### FREIGHT ALLOWANCE

All prices are FOB Warren, Michigan with full freight prepaid and allowed within the contiguous United States on shipments of \$1,500.00 net or more excluding ductile/cast iron, stainless steel and carbon steel products which are \$2,500.00 or more. Any combination of products, items or sizes may be combined to satisfy the dollar amount required to earn full freight allowance. The Company reserves the right to select the most economical routing and shall not be liable or responsible by reason of the mode or route of shipment.

### EXPORT SHIPMENTS

All prices are FOB plant, Warren, Michigan, with full freight prepaid and allowed to Port of Exit on shipments of \$1,500.00 net or more.

### PACKAGING

All list prices are based on domestic packaging. For export packaging, contact the factory for pricing.

### DELIVERY

The quoted time of delivery is understood to be from date of receipt of all necessary information including Purchaser's approval, if applicable. Any delay in delivery of any installment shall not relieve purchaser of its obligation to accept remaining deliveries. The Company shall not be liable for damages or for cancellation of the contract as a result of any delay due to any cause beyond the Company's reasonable control including, but not limited to, act of God, act of the purchaser, embargo or other governmental acts, regulations or requirements, fire accident, labor disputes, war, civil insurrection or riot, delay in transportation or the inability to obtain necessary labor, materials or manufacturing facilities. In the event of any such delay the date of delivery shall be extended for a period equal to the time lost by reason of the delay. All shipments, unless otherwise specified, shall be FOB shipping point and the purchaser assumes responsibility for damage or loss in transit. The Company shall not be liable or responsible by reason of the mode or route of shipment.

Products or goods not of Company manufacture supplied in piece, or as components to a system designed or sold by the Company, are not covered by this warranty. However, the Company will extend to the purchaser the benefit of such adjustment as is obtained from the manufacturer of that component or product.

This warranty does not apply to damage caused by any or all of the following circumstances or conditions:

- Freight damage.
- Parts and/or accessories or components not obtained from or approved by the Company.
- Any consequential or incidental damage arising from the use of the product, system or other goods manufactured or sold by the Company.
- Misapplication, misuse, abuse, or failure to follow the Product Instruction Sheets and/or Information Guides

The remedy under this warranty is limited to the repair or replacement of any parts found upon examination by the Company to have been defective, and shall not include removal and reinstallation costs involved in the exchange. The remedy shall be conditioned upon receipt of written notice by the Company of any alleged defects promptly after discovery thereof within the warranty period. Generally, consent, if given, will be upon the condition that the purchaser assumes and prepays all carrier charges.

**THIS WARRANTY IS EXCLUSIVE. THE COMPANY EXPRESSLY DISCLAIMS ANY AND ALL OTHER WARRANTIES, WHETHER EXPRESSED OR IMPLIED, INCLUDING ANY IMPLIED WARRANTY OR MERCHANT ABILITY OF FITNESS FOR A PARTICULAR PURPOSE OR, ANY PURPOSE.**

No person, including any dealer or representative of the Company, is authorized to make any representations concerning the Company products or systems on behalf of the Company or to assume for the Company the obligations contained in this warranty. The Company reserves the right to make design and other changes, modifications or improvements upon its products or systems, without any obligation to install same on any previously sold or delivered products or systems.

This warranty gives the purchaser specific legal rights. The purchaser may have other rights that vary from state to state.

### LIMITATION OF LIABILITY

It is expressly agreed that the liability is limited and the Company does not function as an insurer. The purchaser and/or user agree that the Company is not liable for loss, harm or damage due directly or indirectly to any occurrence of consequence therefrom. If the Company should be found liable to anyone in any theory (except any express warranty where the remedy is set forth in this document) for loss, harm, or damage, the liability of the Company shall be limited to the lesser of the actual loss, harm or damage, or the original purchase price of the involved equipment, system or service when sold (or when services performed by) the Company to its customer. This liability is exclusive and regardless of cause or origin resulting directly or indirectly to person or property from:

- The performance or non-performance of any obligation set forth in this warranty and warranty policy.
- Any agreement, oral or written, including specifications, between the Company and the customer.
- Negligence, active, passive or otherwise, of the Company or any of its agents, employees, or independent contractors.
- Breach of any judicially imposed warranty or covenant and,
- Misrepresentation or strict liability involvement.

### SPECIAL PRODUCTS

Special products produced to order, or products not normally stocked, are subject to a 10% overrun or underrun. Pattern equipment, tooling, etc., built for the manufacture of purchaser's products shall at all times remain in the possession of the Company. Since such equipment is made or supplied on a non-profit basis, it shall not be removed from the Company's plant except upon payment of a minimum 20% charge: based on the original equipment costs to cover engineering, drafting, and handling. The Company agrees to maintain such equipment except the major repairs or replacement would be at the purchaser's expense. If no orders have been received for production for a period of eighteen months, the Company accepts no liability for the continued existence or availability of such equipment after such period. Written notification advising the customer of the expiration date will not be required of the Company.

### BUYER'S PURCHASE ORDER TERMS

The terms on the purchase order shall not change, enlarge, or modify Company's liability or obligations.

### SHORTAGE AND BREAKAGE

The Company's responsibility for delivery of materials sold FOB shipping point ends when the receipt is obtained from the consignor of the transportation company. It is agreed that the purchaser shall notify the Company of any shortage within five (5) days from receipt of the material. In the event of loss or damage incurred in transit, the carrier shall be responsible and claims for parts broken or lost in shipment are to be filed with the transportation company by the company.

### CANCELLATION OF ORDERS

If, for any reason, the purchaser desires to cancel an order, such cancellation shall only be with written consent of the Company, and then only after payment is made to the Company for all costs incurred which shall include but not be limited to, material, labor, overhead, and reasonable profit.

### RETURNS AND RESTOCKING CHARGES

Equipment may be returned to Jomar International at 7243 Miller Drive, Warren, Michigan 48092, only upon prior written authorization of the Company. Consent, if given, will be upon the condition the purchaser assumes all carrier charges responsibility for damages in transit, and a minimum 15% restocking charge, and then only if the so authorized material is in new and unused condition and returned within one year from the original date of shipment. The credit will be based on the original invoice price or the current price, whichever is lower, less the applicable restocking charge.

### SERVICE

Unless otherwise noted herein, the cost of the equipment does not include service or installation. All services performed by the Company are subject to purchaser's payment of the Company's prevailing charges plus necessary travel and living expense.

### TAXES

Any tax or taxes that may be imposed upon the goods that are the subject of this sale, or upon the sale or delivery, shall be added to and become a part of the contract price.

### REGULATIONS

Every contract of sale shall be subject to all applicable state and federal statutes and regulations.

The terms of this agreement shall be construed in accordance with the laws of the state of Michigan.



7243 Miller Drive • Warren, MI 48092  
phone: 800-325-5690 • fax: 800-628-4194 • email: [csr@jomar.com](mailto:csr@jomar.com)  
[www.jomarvalve.com](http://www.jomarvalve.com)