



**Carbon/Stainless
Thread Sealants
Add-A-Valve®**



**Low Pressure
Ball Valves
Lockwings**



**PVC
Lead Free
Actuation**



**Butterfly Valves
Basket Strainers
Dielectric Unions**

Product Catalog

Table of Contents



Lead Free Brass Ball Valves		S-100FMN.....	53	T-203DU FIP x FL.....	97
T-100NEG*.....	4	T-100STN.....	54	T-203 FIP x FIP.....	98
JP-100GPxP.....	5	S-100STN.....	55	T-203 FL x FL.....	99
T-100C.....	6	T-100SSS.....	56	T-203 FL x FIP.....	100
S-100C.....	7	T-82-M.....	57	T-205.....	101
TWV-3W-KIT-G.....	8	T-100-UE.....	58	T-2005C.....	102
PRV.....	9	S-100-DUE.....	59	T-2004C.....	103
TWV-3W-KIT-G1.....	10	T-100P-SS-WS.....	60		
CPRV.....	11	T-100FB.....	61	Lockwings	
JF-100TG.....	12	T-600-4B.....	62	175-LWN.....	104
JF-100SG.....	13	S-600-4B.....	63	125-LWN.....	105
JF-100TG-LH.....	14	JF-100T.....	64	175-LWIN.....	106
JF-100SG-LH.....	15	JF-100S.....	65	125-LWBP.....	107
T-110G.....	16	JF-100T-LH.....	66	175-LWBP.....	108
S-110G.....	17	JF-100S-LH.....	67	175-LWIBP.....	109
JF-100GMxF.....	18	JF-100TFM.....	68	125-LWUBP.....	110
T-83CG.....	19	T-83C.....	69	175-LWIBP Commercial.....	111
T-100HFG.....	20	JF-100T-FL.....	70	175-LWBP Commercial.....	112
S-100HSG.....	21	JF-100S-FL.....	71	175-LWIBP-EXT.....	113
JFPG-100.....	22	T-110.....	72	Extended Male Tail Piece.....	113
C-402G.....	23	S-110.....	73		
T-412G.....	24	T-100HF.....	74	Actuation	
S-412G.....	25	S-100HS.....	75	T-100 Direct Mount Series.....	114
Brass Solder x Galvanized.....	26	C-402.....	76	A1000.....	115
Brass FIP x Galvanized FIP.....	27	JFP-100.....	77	A2020D.....	116
T-653G.....	28	T-412.....	78	A-766L.....	117
T-654G.....	29	S-412.....	79	A750T/L.....	118
T-511G.....	30	TWV-3W-KIT.....	80	A850T/L.....	119
S-511G.....	31			A9000TD.....	120
T-501G.....	32	Medical Gas Ball Valves		A9500.....	121
S-501G.....	33	S-650-CE-4B.....	81	AE Series Actuators.....	122
T-641G.....	34	S-675-GP-4B.....	82	Alpha Series Actuators.....	123
S-641G.....	35	S-675-DGP-4B.....	83	AEP-100.....	126
T-301G.....	36			APP-200.....	126
S-301G.....	37	Oxygen Cleaning		ASV-120.....	127
T-302G.....	38	Oxygen Cleaning.....	84	ASM-200.....	127
T-612G.....	39				
T-601G.....	40	Add-A-Valve®			
S-601G.....	41	Add-A-Valve.....	85	Butterfly Valves	
T-611G.....	42			BFV-Lug.....	128
S-611G.....	43	Gas Ball Valves		BFV-Wafer.....	129
T-621G.....	44	T-204DU FIP x FIP.....	86	BFV-LeverHandle.....	130
T-622G.....	45	T-204DU FIP x FL.....	87	BFV-WormGear Operator.....	131
		T-204DU MIP x FIP.....	88		
Brass Ball Valves		T-204DU MIP x FL.....	89	Carbon Steel Ball Valves	
T-100NE.....	46	T-204 FIP x FIP.....	90	FL-CS-100-300.....	132
S-100NE.....	47	T-204 FL x FL.....	91	FL-CS-100-150.....	133
T-100SSE.....	48	T-204 FL x FIP.....	92	T-CS-2002N-SS-DUE.....	134
S-100SSE.....	49	T-204 MIP x FL.....	93	S-CS-2002N-SS-DUE.....	135
JP-100PxP.....	50	T-203DU FIP x FIP.....	94	T-CS-2001N-SS-4B.....	136
JP-100PxP XLC.....	51	T-203DU MIP x FIP.....	95	S-CS-2001N-SS-4B.....	137
T-100FMN.....	52	T-203DU MIP x FL.....	96	T-CS-2000N-SS.....	138
				T-CS-2000N-SS-VB.....	139

Table of Contents

T-CS-1000N-SS-4B.....	140	T-612.....	181
S-CS-1000N-SS-4B.....	141	T-601.....	182
T-CS-1001N-SS.....	142	S-601.....	183
T-CS-4000.....	143	T-611.....	184

Stainless Steel Ball Valves

FL-SS-100-300.....	144	T-621.....	186
FL-SS-100-150.....	145	T-622.....	187
T-SS-2002N-DUE.....	146	T-632.....	188
S-SS-2002N-DUE.....	147	T-632NK.....	189
T-SS-2001N-4B.....	148	T-653.....	190
S-SS-2001N-4B.....	149	T-654.....	190
T-SS-2000N.....	150	T-540.....	191
T-SS-2000N-DH.....	151	JF-800 Series.....	192
T-SS-1000N-4B.....	152		

S-SS-1000N-4B.....	153
T-SS-1000N-4B-VB.....	154
T-SS-1001N.....	155
T-SS-1001N-VB.....	156
T-SS-1000.....	157

Y-Strainer

Y-Strainer.....	158
-----------------	-----

Thread Sealants

Gimmie the White Stuff™.....	159
Gimmie the Green Stuff®.....	160
The HeavyWeight®.....	161
WOG Plus.....	162
Hi-Temp™.....	163

Thermoplastics /

CPVC & PVC Valves

S-605.....	165
T-701.....	166
S-701.....	167
T/S-703.....	168
S-700.....	169
T-711.....	170
S-711.....	171

Low Pressure Valves

T-511.....	172
S-511.....	173
T-501.....	174
S-501.....	175
T-641.....	176
S-641.....	177
T-301.....	178
S-301.....	179
T-302.....	180

Dielectric Unions

Copper Solder x Galvanized.....	193
Black Iron FIP x FIP.....	194
Galvanized FIP x FIP.....	195
Brass FIP x Galvanized FIP.....	196

Valve Accessories

Memory Stop.....	197
Lift-n-Lock.....	198
Stem Extension.....	198
Slo-Ball Handle.....	199
Long-Neck T-Handle.....	199

Basket Strainers

SS-306 Snap-N-Loc®.....	200
SS-304 Twist-N-Loc®.....	201
SS-305 Easy-Loc®.....	202
SS-410 Smart Move®.....	203
SS-420 Mag-Na-Loc®.....	204
SS-440 Snap-Tite™.....	205
SS-430 Snap-N-Seal®.....	206
BS-323-DBS Push-N-Seal II®.....	207
SS-308 Small Wonder™.....	208
SS-310 Bar-ette™.....	209
SS406 Snap Loc.....	210
SS400 Disposer with Stopper.....	211
SS404 Twist Loc.....	212
SS405 Easy Loc.....	213
SS409 Basic Sink Strainer.....	214
SS410 Bar Sink Strainer.....	215
Basket Strainer Parts.....	216

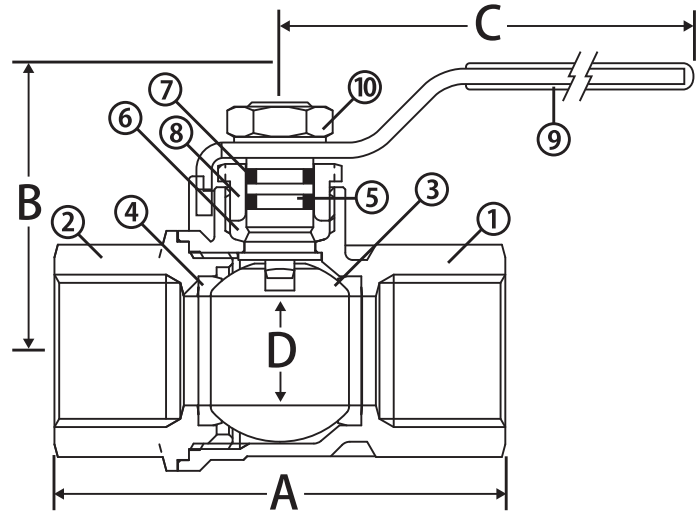
Lead Free Brass Ball Valve



2 Piece • Full Port • Threaded Connection • 600 WOG



T-100NEG*



Features

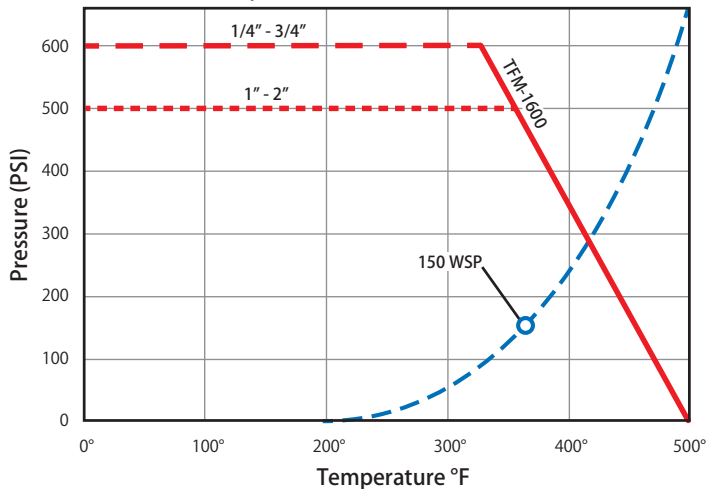
- Dezincification resistant brass alloy
- Triple sealing stem with 2 Viton® o-rings and Teflon® seal
- Blow-out proof stem
- 100% leak tested
- Made in Italy
- Leakproof stem - Lifetime Warranty
- Accessories available on pages 197-199

Approvals

- NSF 372
- NSF 61-8
- NSF 61 - Annex G
- MSS SP-110

Valve Seat Rating

1/4" - 3/4" 600 WOG, 1 - 2" 500 WOG - 150 WSP



Material Specifications

No.	Part	Materials
1	Body	Lead Free Brass - CW511L
2	End Connection	Lead Free Brass - CW511L
3	Ball	T.E.A. Coated Brass - CW510L
4	Seat (2)	Hostaflo® TFM 1600
5	Stem	Lead Free Brass - CW510L
6	Packing	Hostaflo® TFM 1600
7	Stem O-ring (2)	Viton®
8	Packing Gland	Lead Free Brass - CW614N
9	Handle	Steel - Geomet® Plated
10	Handle Nut	Steel - Geomet® Plated

Dimensions

Part No.	Size	A	B	C	D	CV
100-703NGDZ	1/2"	2.45	1.53	2.95	0.59	16.82
100-704NGDZ	3/4"	2.71	1.95	3.74	0.79	34.80
100-705NGDZ	1"	3.30	2.40	4.75	0.97	52.20
100-706NGDZ	1-1/4"	3.80	2.59	4.75	1.23	112.52
100-707NGDZ	1-1/2"	4.16	3.22	6.00	1.49	174.00
100-708NGDZ	2"	5.00	3.40	6.00	1.99	255.20

*This valve was previously T-100NGDZ

Note: Information subject to change without notice.

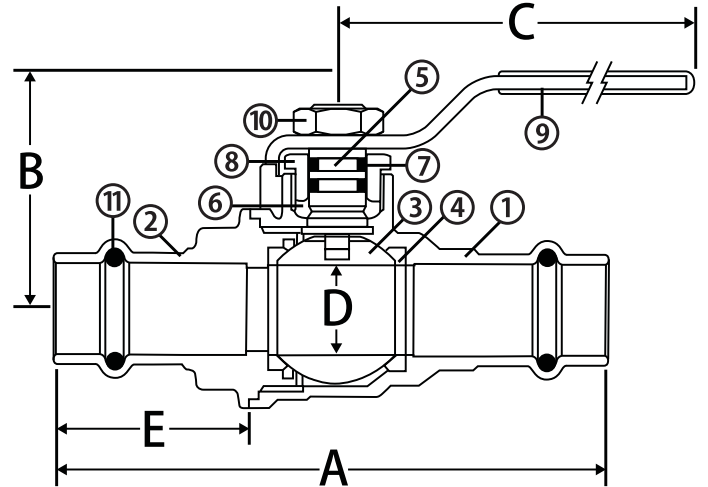
Lead Free Brass Ball Valve



2 Piece • Full Port • Press Connection • 250 WOG



JP-100GPxP



Features

- Dezincification resistant brass alloy
- Triple sealing stem with 2 Viton® o-rings and Teflon® seal
- Blow-out proof stem
- 100% leak tested
- Made in Italy
- Leakproof stem - Lifetime Warranty
- Accessories available on pages 197-199

Approvals

- NSF 372
- NSF 61-8
- NSF 61 - Annex G

Valve Seat Rating

- 250 WOG
- Temperature rating: max. 250° F

Material Specifications

No.	Part	Materials
1	Body	Lead Free Brass - CW511L
2	End Connection	Lead Free Brass - CW511L
3	Ball	T.E.A. Coated Brass - CW510L
4	Seat (2)	Hostaflo® TFM 1600
5	Stem	Lead Free Brass - CW510L
6	Packing	Hostaflo® TFM 1600
7	Stem O-ring (2)	Viton®
8	Packing Gland	Lead Free Brass - CW614N
9	Handle	Steel - Geomet® Plated
10	Handle Nut	Steel - Geomet® Plated
11	O-ring (2)	EPDM

Dimensions

Part No.	Size	A	B	C	D	E	CV
100-203G	1/2"	3.54	1.53	2.95	0.59	1.24	16.82
100-204G	3/4"	3.84	1.95	3.74	0.79	1.28	34.80
100-205G	1"	4.31	2.40	4.75	0.97	1.38	52.20
100-206G	1-1/4"	4.80	2.59	4.75	1.23	1.30	112.52
100-207G	1-1/2"	5.61	3.22	6.00	1.49	1.50	174.00
100-208G	2"	7.16	3.40	6.00	1.99	2.01	255.20

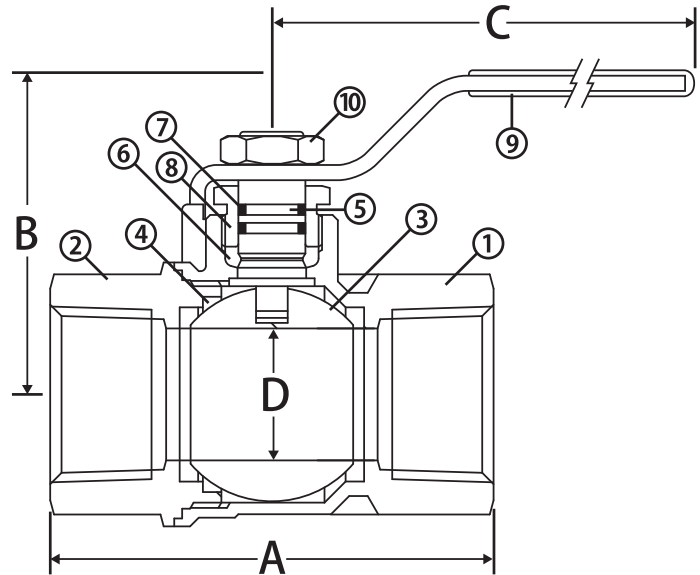
Lead Free Brass Ball Valve



2 Piece • Full Port • Threaded Connection • 600 WOG



T-100C



Features

- Compact design
- Triple sealing stem with 2 Viton® o-rings and Teflon® seal
- Blow-out proof stem
- 100% leak tested
- Made in Italy
- Leakproof stem - Lifetime Warranty
- Accessories available on pages 197-199

Approvals

- UL Listed
 - VQGU - Trim & drain
 - MHKZ - Manual valves
 - YQNZ - Compressed gas shut-off valves
 - YRBX - Flammable liquid shut-off valves
 - YRPV - Gas shut-off valves
 - YSDT - LP gas shut-off valves
 - SFJQ - Valves, refrigerant
- NSF 372
- NSF 61-8
- NSF 61 - Annex G
- CSA Certified
 - ANSI Z21.15 (.5 PSIG)
 - ASME B16.44 (5 PSIG)
 - CGA CR91 (5 PSIG)
- FM Approval
- MSS SP-110

Material Specifications

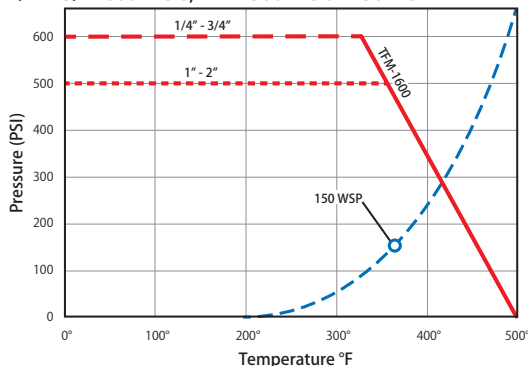
No.	Part	Materials
1	Body	Lead Free Brass - CW510L
2	End Connection	Lead Free Brass - CW510L
3	Ball	T.E.A. Coated Brass - CW510L
4	Seat (2)	Hostaflon® TFM 1600
5	Stem	Lead Free Brass - CW510L
6	Packing	Hostaflon® TFM 1600
7	Stem O-ring (2)	Viton®
8	Packing Gland	Lead Free Brass - CW614N
9	Handle	Steel - Geomet® Plated
10	Handle Nut	Steel - Geomet® Plated

Dimensions

Part No.	Size	A	B	C	D	CV
100-403G	1/2"	2.00	1.53	2.95	0.59	16.82
100-404G	3/4"	2.34	1.95	3.74	0.79	34.80
100-405G	1"	2.67	2.40	4.75	0.97	52.20
100-406G	1-1/4"	3.22	2.59	4.75	1.23	112.52
100-407G	1-1/2"	2.68	3.22	6.00	1.49	174.00
100-408G	2"	4.29	3.40	6.00	1.99	255.20

Valve Seat Rating

1/4" - 3/4" 600 WOG, 1 - 2" 500 WOG - 150 WSP



Note: Information subject to change without notice.

Lead Free Brass Ball Valve



2 Piece • Full Port • Solder Connection • 600 WOG



S-100C

Features

- Triple sealing stem with 2 Viton® o-rings and Teflon® seal
- Blow-out proof stem
- 100% leak tested
- Made in Italy
- Leakproof stem - Lifetime Warranty
- Accessories available on pages 197-199

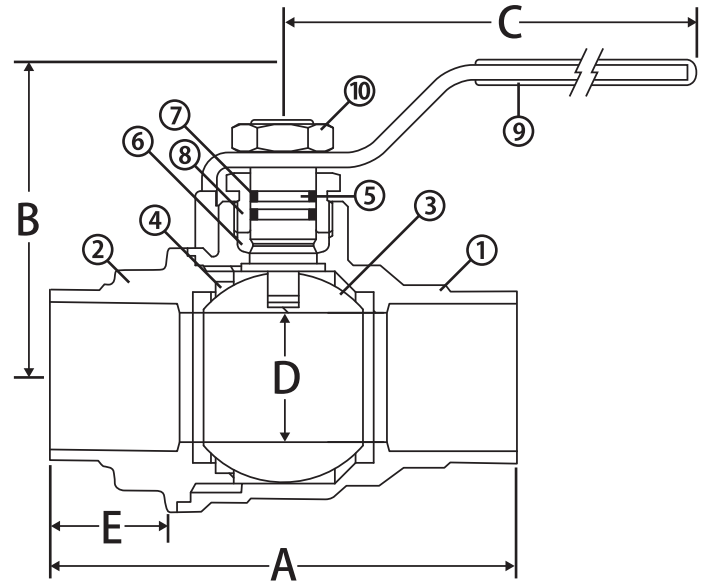
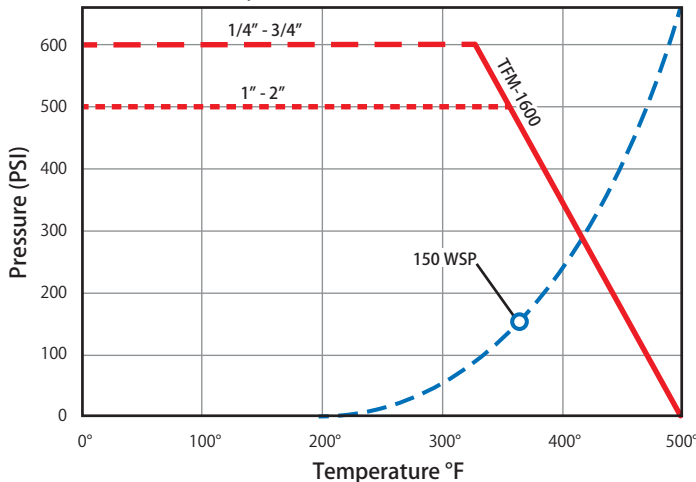
Approvals



- UL Listed
 - VQGU - Trim & drain
- NSF 372
- NSF 61-8
- NSF 61 - Annex G
- FM Approval
- MSS SP-110

Valve Seat Rating

1/4" - 3/4" 600 WOG, 1 - 2" 500 WOG - 150 WSP



Material Specifications

No.	Part	Materials
1	Body	Lead Free Brass - CW510L
2	End Connection	Lead Free Brass - CW510L
3	Ball	T.E.A. Coated Brass - CW510L
4	Seat (2)	Hostaflon® TFM 1600
5	Stem	Lead Free Brass - CW510L
6	Packing	Hostaflon® TFM 1600
7	Stem O-ring (2)	Viton®
8	Packing Gland	Lead Free Brass - CW614N
9	Handle	Steel - Geomet® Plated
10	Handle Nut	Steel - Geomet® Plated

Dimensions

Part No.	Size	A	B	C	D	E	CV
100-413G	1/2"	2.48	1.56	2.95	0.59	0.51	16.82
100-414G	3/4"	3.26	2.05	3.74	0.79	0.76	34.80
100-415G	1"	3.94	2.55	4.75	0.97	0.92	52.20
100-416G	1-1/4"	4.50	2.66	4.75	1.23	0.98	112.52
100-417G	1-1/2"	5.07	3.31	6.00	1.49	1.10	174.00
100-418G	2"	6.22	3.60	6.00	1.99	1.34	255.20

Lead Free Brass Ball Valve



3 Way Ball • Tankless Water Heater Valve Kit • Standard Port • Threaded or Solder Connections • 600 WOG



TWV-3W-KIT-G

Features

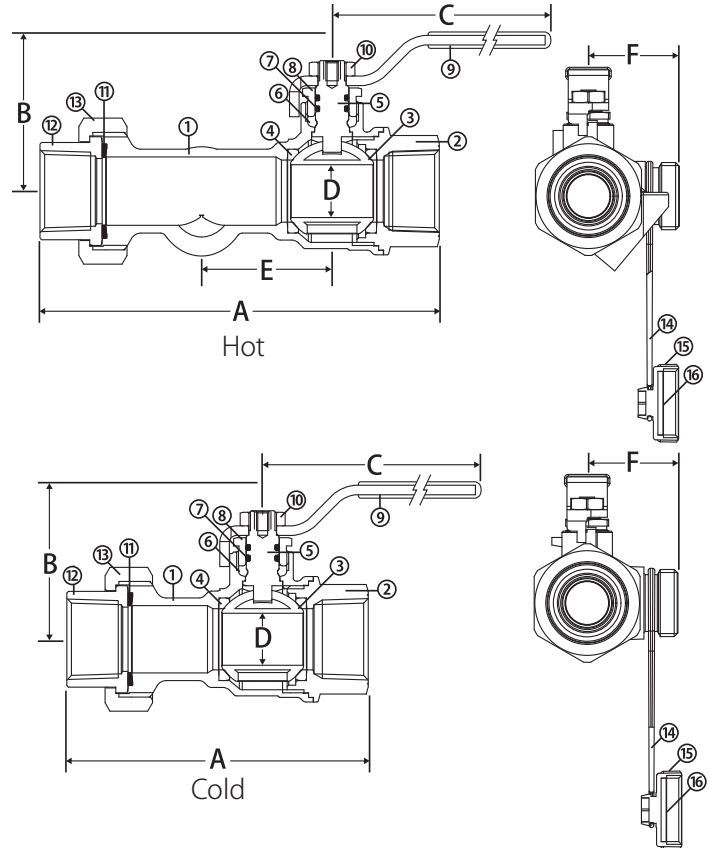
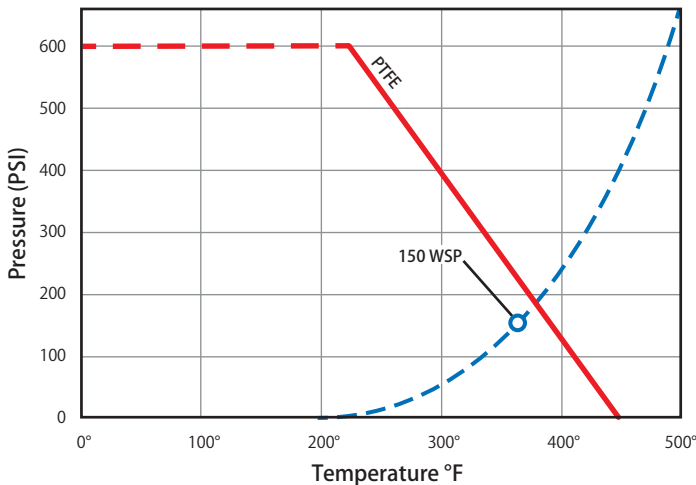
- Unique, T.E.A. Ternary Eco Alloy® Coated 3-way style ball
- 2 Viton® o-rings with Teflon packing and packing nut guarantees no stem leaks
- U.S.A. Patent No. 7,762,280 B2
- 3/4" 200,000 BTU/hr LEAD FREE brass pressure relief valve included
- 100% leak tested
- Made in Italy
- Leakproof stem - Lifetime Warranty

Approvals

- NSF 372
- NSF 61-8
- NSF 61 - Annex G

Valve Seat Rating

600 WOG - 150 WSP



Material Specifications

No.	Part	Materials
1	Body	Lead Free Brass - CW510L
2	End Connection	Lead Free Brass - CW510L
3	Ball	T.E.A. Coated Brass - CW510L
4	Seat (2)	PTFE
5	Stem	Lead Free Brass - CW510L
6	Packing	PTFE
7	Stem O-ring (2)	Viton®
8	Packing Gland	Lead Free Brass - CW614N
9	Handle	Steel - Geomet® Plated
10	Handle Nut	Steel - Geomet® Plated
11	Union Washer	EPDM
12	Tail Piece	Lead Free Brass - CW510L
13	Union Nut	Lead Free Brass - CW617N
14	Tether	PVC
15	Cap	Lead Free Brass - CW510L
16	Flat Washer	Buna-N

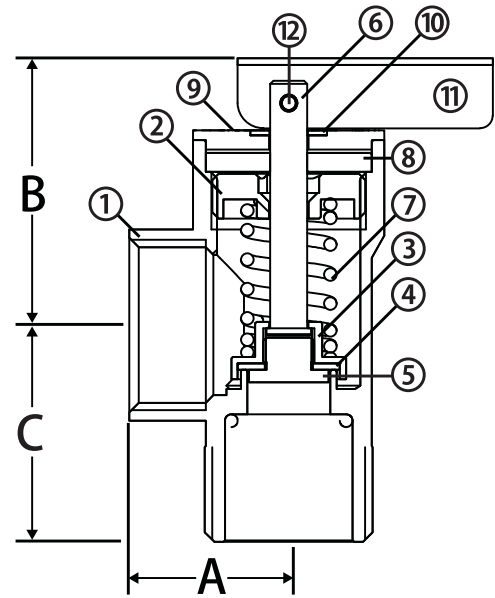
Dimensions

Part No.	Valve	A	B	C	D	E	F
810-504G - 3/4" Threaded							
810-534G	Hot	5.11	2.00	3.74	0.66	1.65	1.41
810-544G	Cold	3.93	2.00	3.74	0.66	-	1.41
810-514G - 3/4" Solder							
810-554G	Hot	5.35	2.00	3.74	0.66	1.65	1.41
810-564G	Cold	4.17	2.00	3.74	0.66	-	1.41

Note: Information subject to change without notice.

Lead Free Specialty Ball Valve

Pressure Relief Valve - CSA 200,000 BTU



Features

- Forged brass construction
- Carbon steel pressure spring
- 100% leak tested
- Made in Italy
- Leakproof stem - Lifetime Warranty

Approvals

- CSA Certified
 - ANSI Z21.22 (200,000 BTU/Hr)
 - NSF 61 – Annex G
 - NSF 372

Material Specifications

No.	Part	Materials
1	Body	Lead Free Brass - CW510L
2	Regulating Screw	Nylon - 30% Glass Filled
3	Shutter	Lead Free Brass - CW510L
4	Seat Washer	EPDM
5	Seat	Lead Free Brass - CW510L
6	Stem	Lead Free Brass - CW510L
7	Spring	1085 Carbon Steel
8	Body Seal	EPDM
9	Cap	Nylon - 50% Glass Filled
10	Lever Plate Washer	Lead Free Brass - CW614N
11	Lever	Steel - Galvanized
12	Lever Pin	Lead Free Brass - CW614N

Dimensions

Part No.	Size	A	B	C
203-104G	3/4"	0.99	1.65	1.33

Lead Free Brass Ball Valve



3 Way Ball • Tankless Water Heater Valve Kit • Standard Port • Threaded Connection • 600 WOG



TWV-3W-KIT-G1

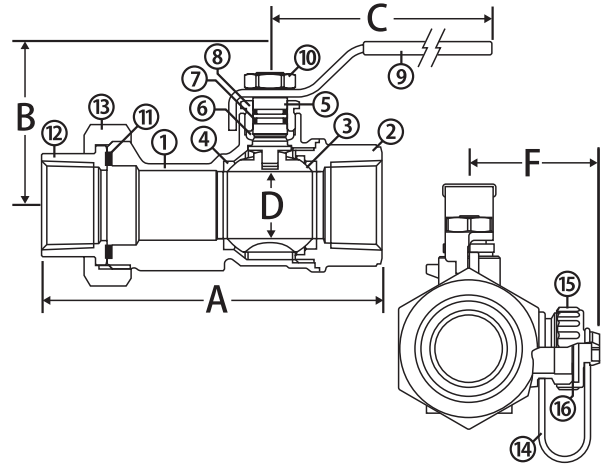
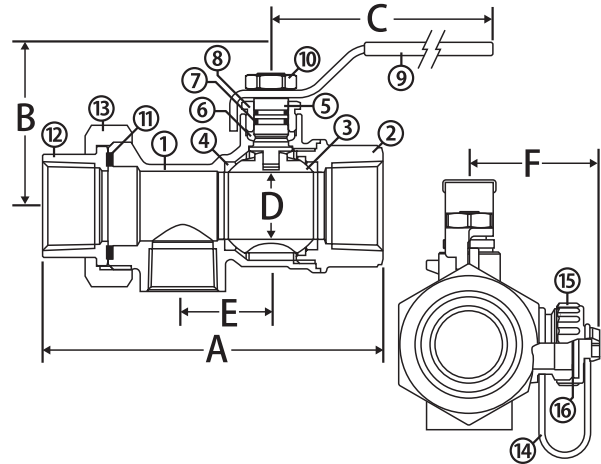
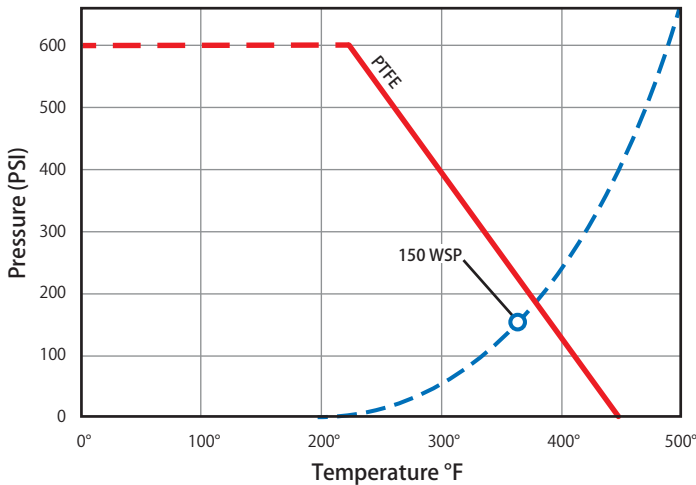
Features

- Unique, T.E.A. Ternary Eco Alloy® coated 3-way style ball
- 2 Viton® o-rings with Teflon packing and packing nut guarantees no stem leaks
- U.S.A. Patent No. 7,762,280 B2
- 100% leak tested
- Made in Italy
- Leakproof stem - Lifetime Warranty

Approvals

- NSF 372
- NSF 61-8
- NSF 61 - Annex G

Valve Seat Rating 600 WOG - 150 WSP



Material Specifications

No.	Part	Materials
1	Body	Lead Free Brass - CW510L
2	End Connection	Lead Free Brass - CW510L
3	Ball	T.E.A. Coated Brass - CW510L
4	Seat (2)	PTFE
5	Stem	Lead Free Brass - CW510L
6	Packing	PTFE
7	Stem O-ring (2)	Viton®
8	Packing Gland	Lead Free Brass - CW614N
9	Handle	Steel - Geomet® Plated
10	Handle Nut	Steel - Geomet® Plated
11	Union Washer	EPDM
12	Tail Piece	Lead Free Brass - CW510L
13	Union Nut	Lead Free Brass - CW617N
14	Tether	PVC
15	Cap	Lead Free Brass - CW510L
16	Flat Washer	Buna-N

Dimensions

Part No.	Valve	A	B	C	D	E	F
810-505G - 1" Threaded							
810-525G	Hot	5.05	2.53	4.75	0.81	1.35	1.55
810-535G	Cold	5.05	2.53	4.75	0.81	-	1.55

Note: Information subject to change without notice.

Lead Free Specialty Ball Valve



Commercial Pressure Relief Valve - CSA 2,700,000 BTU

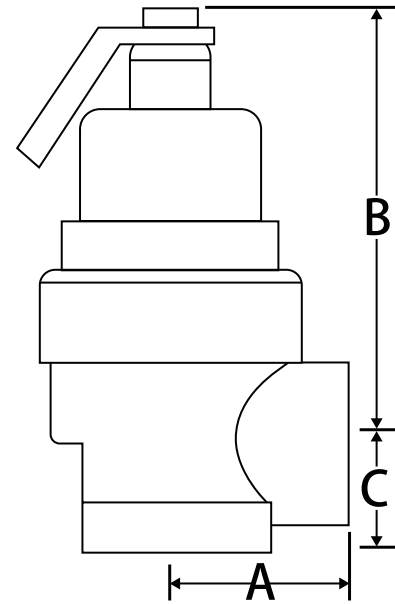


Features

- Forged bronze construction
- Stainless steel pressure spring
- 2,703,000 BTU/HR relief
- 100% leak tested

Approvals

- ASME Listed



Material Specifications

No.	Part	Materials
1	Body	Lead Free Bronze
2	Seat Disc	Silicone
3	Pressure Spring	Stainless Steel

Dimensions

Part No.	Size	A	B	C
203-304G	3/4"	1.50	3.50	1.69

Lead Free Brass Ball Valve



2 Piece • Full Port • Threaded Connection • 600 WOG • with Stainless Steel Trim



JF-100TG

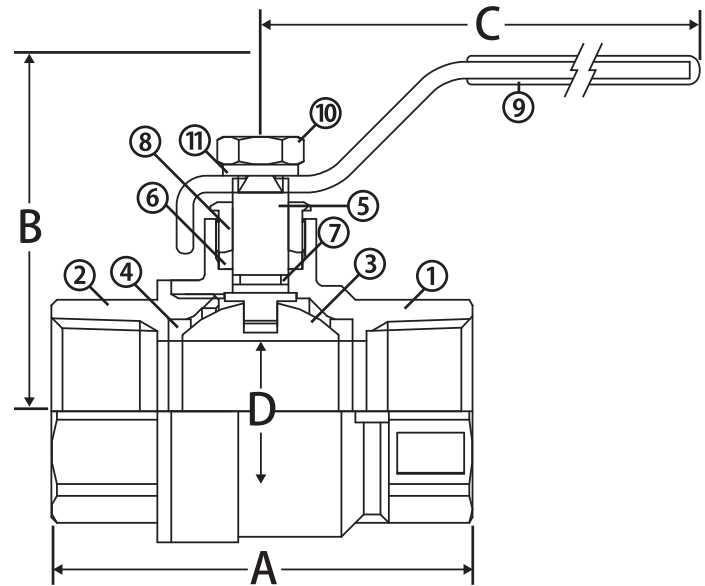
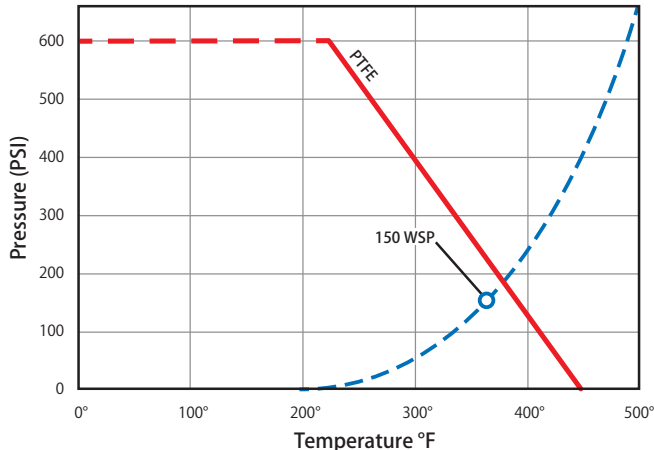
Features

- Gland follower and single o-ring stem design
- Blow-out proof stem
- Stainless steel ball and stem
- 100% leak tested

Approvals

- UL Listed up to 175 PSI (1/4" - 2")
 - MHKZ - Manual valves
 - YRPV - Gas shut-off valves
- IAPMO Certified (1/2" - 2")
 - NSF 61-8
 - NSF 61 - Annex G
- CSA Certified
 - CGA 3.16 (125 PSIG)
 - ANSI Z21.15 (.5 PSIG)
 - CGA CR91 (5 PSIG)
 - ASME B16.44 (5 PSIG)
 - ASME B16.33 (125PSIG) (1/2" - 2")
 - ASME B16.38 (2-1/2" - 4")
- FM Approval (1/2" - 2")

Valve Seat Rating 600 WOG - 150 WSP



Material Specifications

No.	Part	Materials
1	Body	Lead Free Brass - C46400
2	End Connection	Lead Free Brass - C46400
3	Ball	304 Stainless Steel
4	Seat (2)	PTFE
5	Stem	304 Stainless Steel
6	Packing	PTFE
7	Stem O-ring	Buna-N
8	Packing Gland	Lead Free Brass - C46400
9	Handle	Steel - Chrome Plated
10	Handle Nut	Steel - Chrome Plated
11	Lock Washer	Steel - Chrome Plated

Dimensions

Part No.	Size	A	B	C	D
100-101SSG	1/4"	1.73	1.69	3.35	0.39
100-102SSG	3/8"	1.73	1.69	3.35	0.39
100-103SSG	1/2"	2.28	1.81	3.35	0.59
100-104SSG	3/4"	2.51	2.36	4.29	0.75
100-105SSG	1"	2.97	2.52	4.29	0.98
100-106SSG	1-1/4"	3.45	2.52	5.63	1.26
100-107SSG	1-1/2"	3.87	2.72	5.63	1.57
100-108SSG	2"	4.29	3.03	5.63	1.97
100-109SSG	2-1/2"	5.59	4.25	7.76	2.52
100-110SSG	3"	6.34	4.92	8.37	2.95
100-111SSG	4"	7.83	5.85	9.25	3.90

Note: Information subject to change without notice.

Lead Free Brass Ball Valve



2 Piece • Full Port • Solder Connection • 600 WOG • with Stainless Steel Trim



JF-100SG

Features

- Gland follower and single o-ring stem design
- Blow-out proof stem
- Stainless steel ball and stem
- 100% leak tested

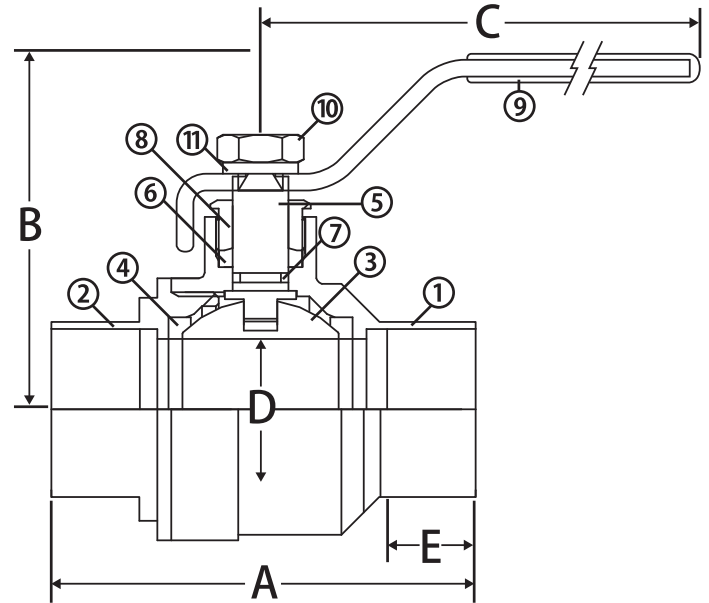
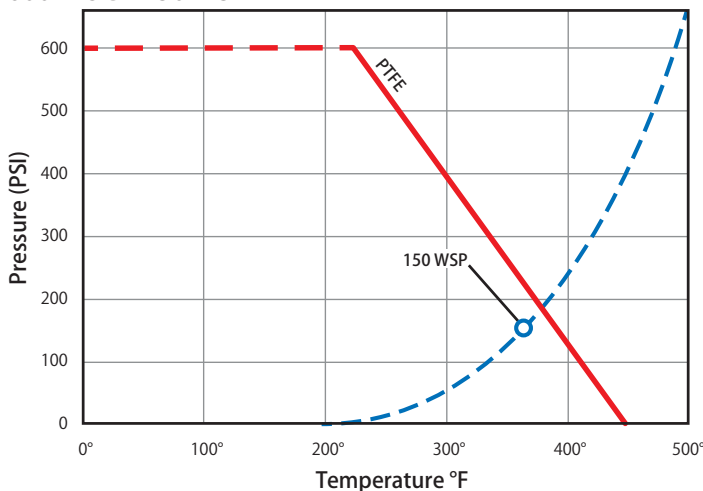
Approvals



- UL Listed up to 175 PSI (1/2" - 2")
 - MHKZ - Manual valves
 - YRPV - Gas shut-off valves
- IAPMO Certified (1/2" - 2")
 - NSF 61-8
 - NSF 61 - Annex G
- FM Approval (1/2" - 2")

Valve Seat Rating

600 WOG - 150 WSP



Material Specifications

No.	Part	Materials
1	Body	Lead Free Brass - C46400
2	End Connection	Lead Free Brass - C46400
3	Ball	304 Stainless Steel
4	Seat (2)	PTFE
5	Stem	304 Stainless Steel
6	Packing	PTFE
7	Stem O-ring	Buna-N
8	Packing Gland	Lead Free Brass - C46400
9	Handle	Steel - Chrome Plated
10	Handle Nut	Steel - Chrome Plated
11	Lock Washer	Steel - Chrome Plated

Dimensions

Part No.	Size	A	B	C	D	E
100-113SSG	1/2"	2.17	1.81	3.35	0.59	0.50
100-114SSG	3/4"	2.80	2.36	4.29	0.75	0.75
100-115SSG	1"	3.27	2.52	4.29	0.98	0.86
100-116SSG	1-1/4"	4.10	2.52	5.63	1.26	1.08
100-117SSG	1-1/2"	4.33	2.80	5.63	1.57	0.98
100-118SSG	2"	5.34	3.11	5.63	1.97	1.21
100-119SSG	2-1/2"	6.39	4.25	7.76	2.52	1.48
100-120SSG	3"	7.10	4.92	8.37	2.95	1.66
100-121SSG	4"	9.56	5.85	9.25	3.90	2.22

Lead Free Brass Ball Valve



**2 Piece • Full Port • Threaded Connection • 600 WOG •
with Latch Lock Handle • with Stainless Steel Trim**



JF-100TG-LH

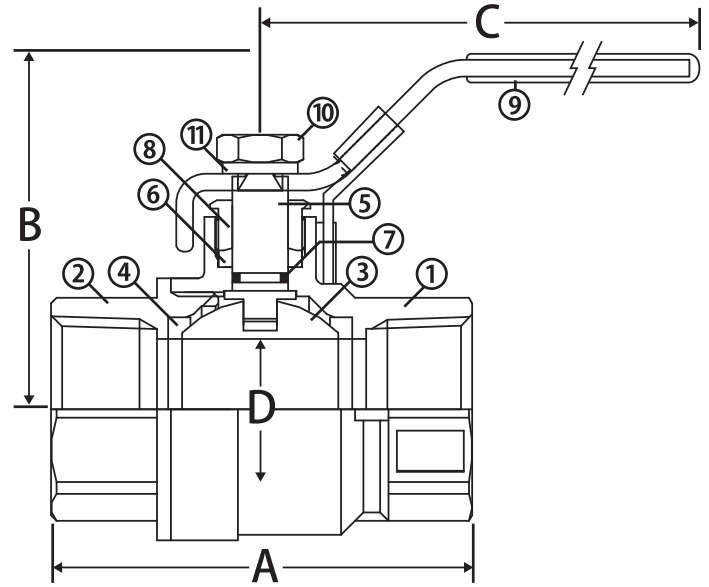
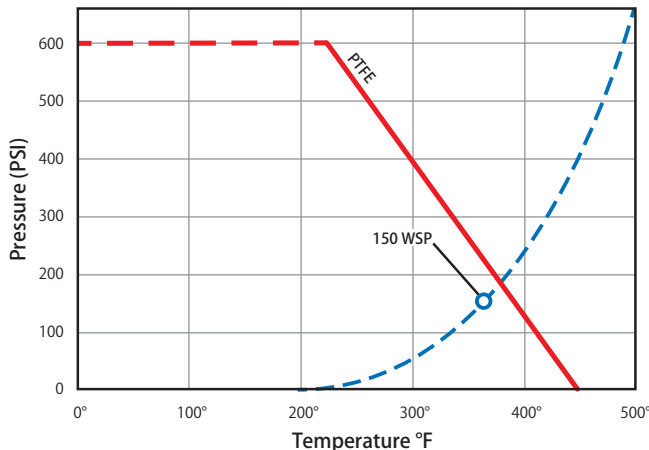
Features

- Gland follower and single o-ring stem design
- Latch lock handle
- Blow-out proof stem
- 100% leak tested

Approvals

- UL Listed up to 175 PSI (1/4" - 2")
 - MHKZ - Manual valves
 - YRPV - Gas shut-off valves
- IAPMO Certified (1/2" - 2")
 - NSF 61-8
 - NSF 61 - Annex G
- CSA Certified
 - CGA 3.16 (125 PSIG)
 - ANSI Z21.15 (.5 PSIG)
 - CGA CR91 (5 PSIG)
 - ASME B16.44 (5 PSIG)
 - ASME B16.33 (125PSIG) (1/2" - 2")
 - ASME B16.38 (2-1/2" - 4")
- FM Approval (1/2" - 2")

Valve Seat Rating 600 WOG - 150 WSP



Material Specifications

No.	Part	Materials
1	Body	Lead Free Brass - C46400
2	End Connection	Lead Free Brass - C46400
3	Ball	304 Stainless Steel
4	Seat (2)	PTFE
5	Stem	304 Stainless Steel
6	Packing	PTFE
7	Stem O-ring	Buna-N
8	Packing Gland	Lead Free Brass - C46400
9	Handle	Steel - Chrome Plated
10	Handle Nut	Steel - Chrome Plated
11	Lock Washer	Steel - Chrome Plated

Dimensions

Part No.	Size	A	B	C	D
100-101SSGLH	1/4"	1.73	2.63	4.06	0.39
100-102SSGLH	3/8"	1.73	2.63	4.06	0.39
100-103SSGLH	1/2"	2.28	2.69	4.06	0.59
100-104SSGLH	3/4"	2.52	2.91	4.86	0.75
100-105SSGLH	1"	2.97	3.22	4.86	0.98
100-106SSGLH	1-1/4"	3.44	3.45	5.59	1.26
100-107SSGLH	1-1/2"	3.88	3.59	5.59	1.57
100-108SSGLH	2"	4.29	3.97	5.59	1.97
100-109SSGLH	2-1/2"	5.59	4.88	7.35	2.52
100-110SSGLH	3"	6.34	5.25	7.35	2.95

Note: Information subject to change without notice.

Lead Free Brass Ball Valve

**2 Piece • Full Port • Solder Connection • 600 WOG •
with Latch Lock Handle • with Stainless Steel Trim**



JF-100SG-LH

Features

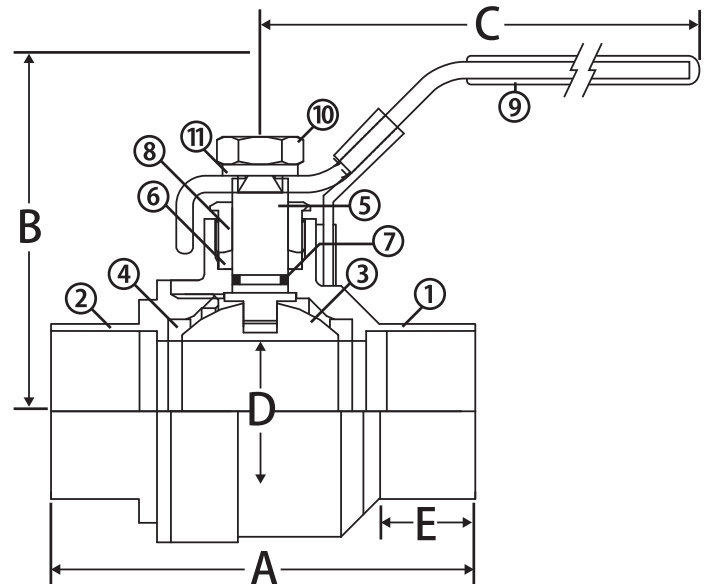
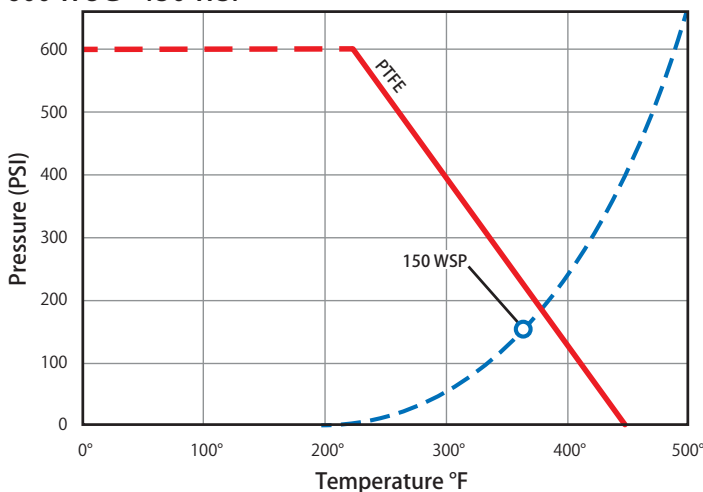
- Gland follower and single o-ring stem design
- Latch lock handle
- 100% leak tested

Approvals

- UL Listed up to 175 PSI (1/2" - 2")
 - MHKZ - Manual valves
 - YRPV - Gas shut-off valves
- IAPMO Certified (1/2" - 2")
 - NSF 61-8
 - NSF 61 - Annex G
- FM Approval (1/2" - 2")

Valve Seat Rating

600 WOG - 150 WSP



Material Specifications

No.	Part	Materials
1	Body	Lead Free Brass - C46400
2	End Connection	Lead Free Brass - C46400
3	Ball	304 Stainless Steel
4	Seat (2)	PTFE
5	Stem	304 Stainless Steel
6	Packing	PTFE
7	Stem O-ring	Buna-N
8	Packing Gland	Lead Free Brass - C46400
9	Handle	Steel - Chrome Plated
10	Handle Nut	Steel - Chrome Plated
11	Lock Washer	Steel - Chrome Plated

Dimensions

Part No.	Size	A	B	C	D	E
100-113SSGLH	1/2"	2.17	2.69	4.06	0.59	0.50
100-114SSGLH	3/4"	2.80	2.91	4.86	0.75	0.75
100-115SSGLH	1"	3.27	3.22	4.86	0.98	0.86
100-116SSGLH	1-1/4"	4.10	3.45	5.59	1.26	1.08
100-117SSGLH	1-1/2"	4.33	3.59	5.59	1.57	0.98
100-118SSGLH	2"	5.34	3.97	5.59	1.97	1.21
100-119SSGLH	2-1/2"	6.39	4.88	7.35	2.52	1.48
100-120SSGLH	3"	7.10	5.25	7.35	2.95	1.66

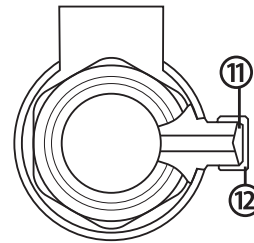
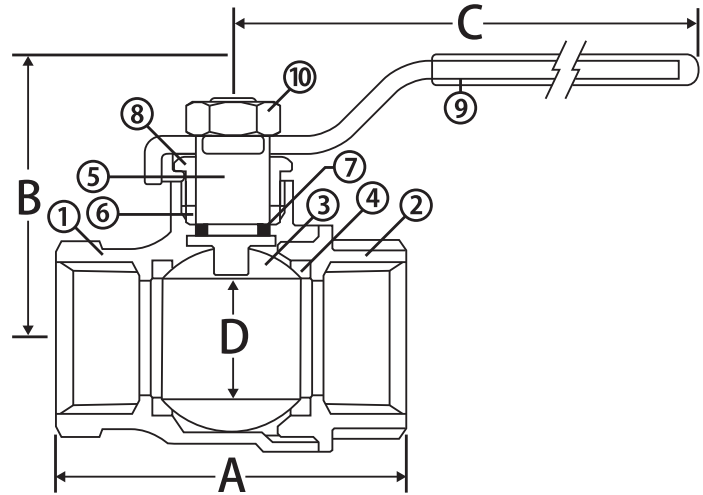
Lead Free Brass Ball Valve



**2 Piece • Full Port • Threaded Connection • 600 WOG •
with Drain • with Stainless Steel Trim**



T-110G

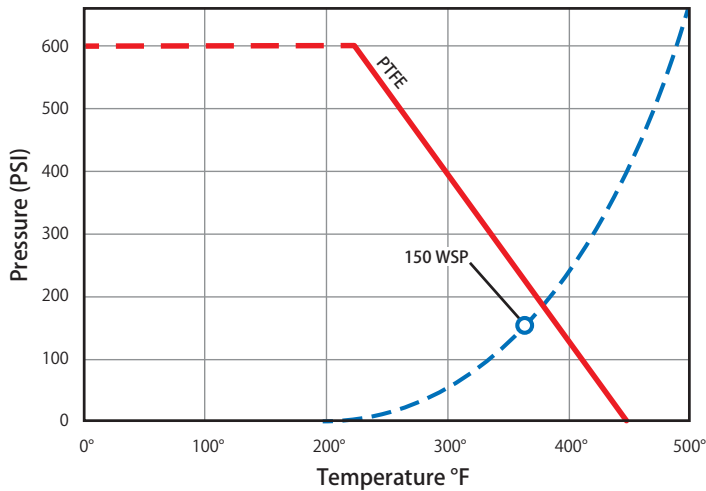


Features

- Blow-out proof stem
- Gland follower and single o-ring stem design
- 100% leak tested
- Wetted surfaces contain less than .25% Lead content

Valve Seat Rating

600 WOG - 150 WSP



Material Specifications

No.	Part	Materials
1	Body	Lead Free Brass - C46400
2	End Connection	Lead Free Brass - C46400
3	Ball	304 Stainless Steel
4	Seat (2)	PTFE
5	Stem	304 Stainless Steel
6	Packing	PTFE
7	Stem O-ring	Buna-N
8	Packing Gland	Lead Free Brass - C46400
9	Handle	Steel - Chrome Plated
10	Handle Nut	Steel - Chrome Plated
11	Flat Washer	Buna-N
12	Bleeder Cap	Lead Free Brass - C46400

Dimensions

Part No.	Size	A	B	C	D
100-633G	1/2"	2.01	1.54	3.31	0.50
100-634G	3/4"	2.36	1.97	4.65	0.79
100-635G	1"	2.88	2.13	4.65	1.00

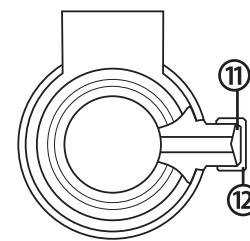
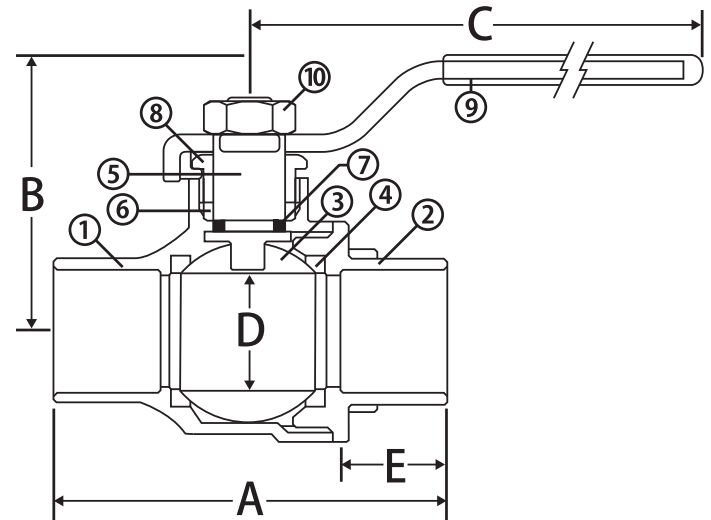
Note: Information subject to change without notice.

Lead Free Brass Ball Valve

**2 Piece • Full Port • Solder Connection • 600 WOG •
with Drain • with Stainless Steel Trim**



S-110G

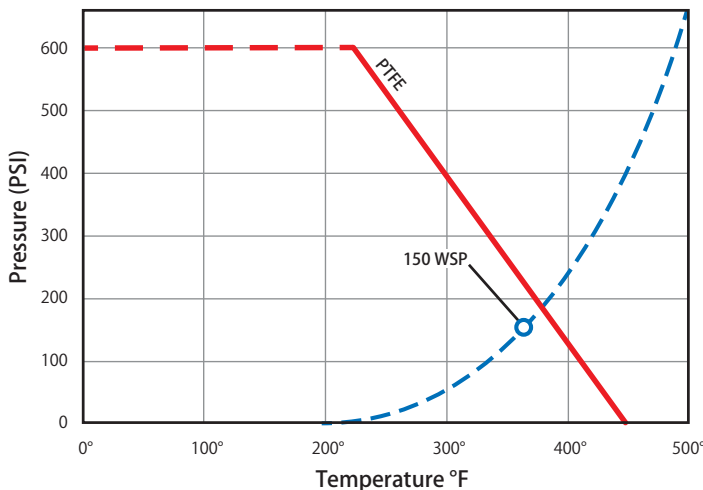


Features

- Blow-out proof stem
- Gland follower and single o-ring stem design
- 100% leak tested
- Wetted surfaces contain less than .25% Lead content

Valve Seat Rating

600 WOG - 150 WSP



Material Specifications

No.	Part	Materials
1	Body	Lead Free Brass - C46400
2	End Connection	Lead Free Brass - C46400
3	Ball	304 Stainless Steel
4	Seat (2)	PTFE
5	Stem	304 Stainless Steel
6	Packing	PTFE
7	Stem O-ring	Buna-N
8	Packing Gland	Lead Free Brass - C46400
9	Handle	Steel - Chrome Plated
10	Handle Nut	Steel - Chrome Plated
11	Flat Washer	Buna-N
12	Bleeder Cap	Lead Free Brass - C46400

Dimensions

Part No.	Size	A	B	C	D	E
100-643G	1/2"	1.93	1.54	3.31	0.50	0.50
100-644G	3/4"	2.76	1.97	4.65	0.79	0.75
100-645G	1"	3.31	2.13	4.65	1.00	0.86

Lead Free Brass Ball Valve



2 Piece • Full Port • Male x Female Connections • 600 WOG • with Stainless Steel Trim



JF-100GMxF

Features

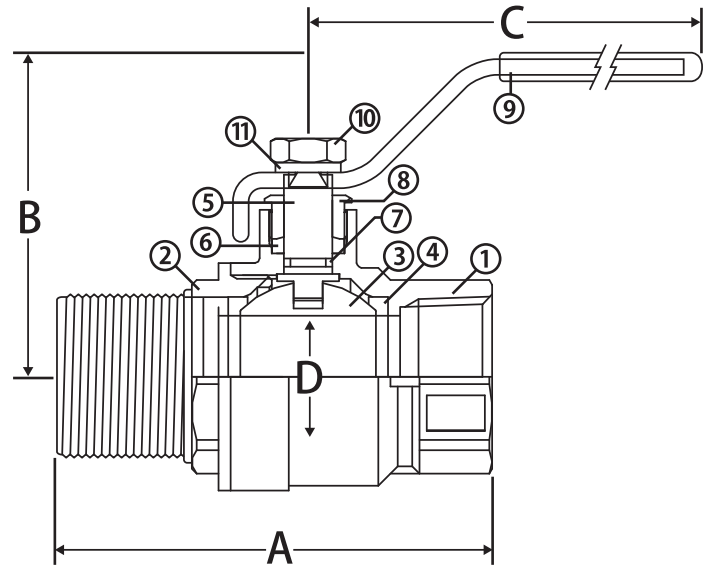
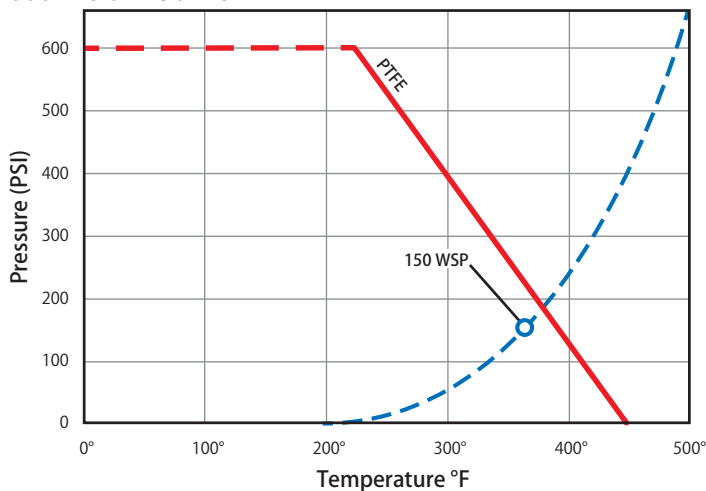
- Gland follower and single o-ring stem design
- Blow-out proof stem
- 100% leak tested

Approvals

- UL Listed up to 175 PSI (1/4" - 1")
 - MHKZ - Manual valves
 - YRPV - Gas shut-off valves
- IAPMO Certified
 - NSF 61-8
 - NSF 61 - Annex G (1/2" - 1")
- FM Approval (1/2" - 1")

Valve Seat Rating

600 WOG - 150 WSP



Material Specifications

No.	Part	Materials
1	Body	Lead Free Brass - C46400
2	End Connection	Lead Free Brass - C46400
3	Ball	304 Stainless Steel
4	Seat (2)	PTFE
5	Stem	304 Stainless Steel
6	Packing	PTFE
7	Stem O-ring	Buna-N
8	Packing Gland	Lead Free Brass - C46400
9	Handle	Steel - Chrome Plated
10	Handle Nut	Steel - Chrome Plated
11	Lock Washer	Steel - Chrome Plated

Dimensions

Part No.	Size	A	B	C	D
100-131G	1/4"	2.05	1.41	3.54	0.25
100-132G	3/8"	2.13	1.41	3.54	0.37
100-133G	1/2"	2.50	1.50	3.54	0.50
100-134G	3/4"	2.86	1.79	4.55	0.75
100-135G	1"	1.93	1.00	4.55	1.00

Note: Information subject to change without notice.

Lead Free Brass Mini Ball Valve



**2 Piece • Full Port • Threaded Connection • Mini Valves • 600 WOG
• with Stainless Steel Trim**



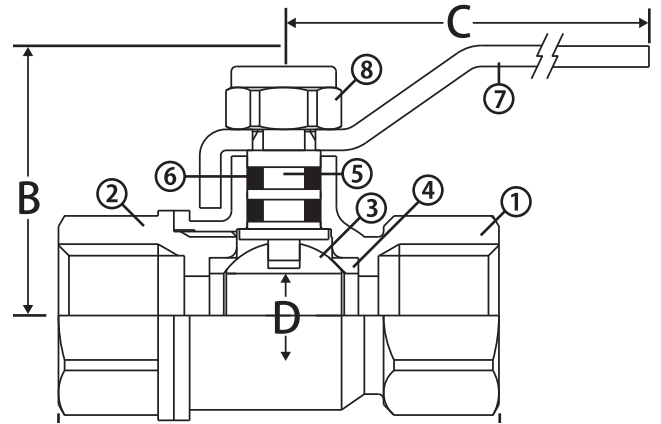
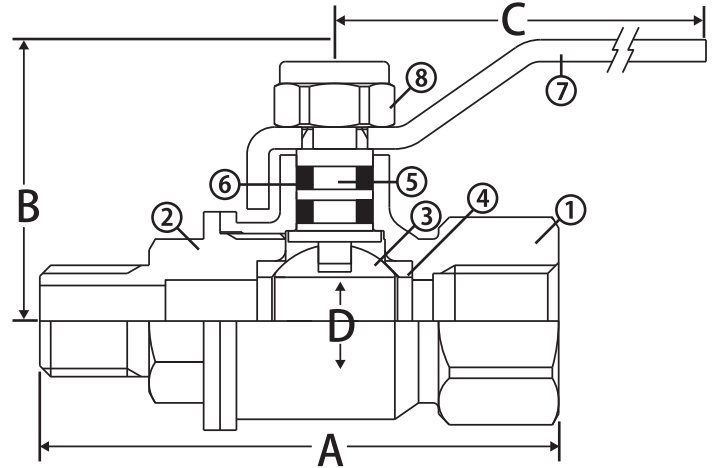
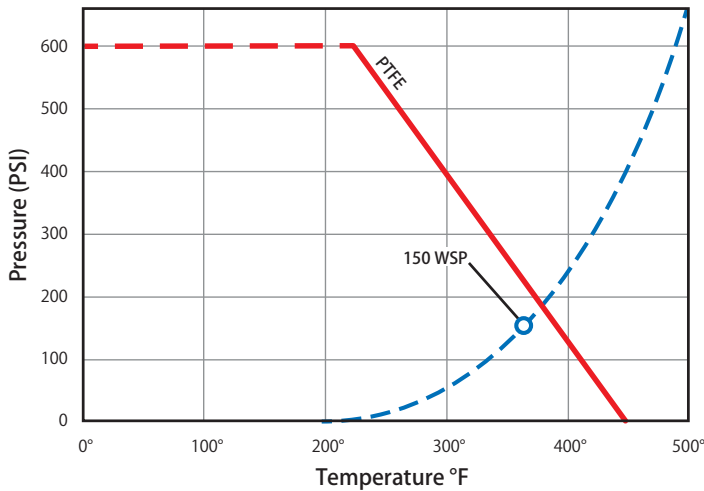
100-397G 100-398G 100-399G 100-400G
100-397THG 100-398THG 100-399THG
T-83CG

Features

- Large raised wrench flats
- 100% leak tested
- Wetted surfaces contain less than .25% Lead content

Valve Seat Rating

600 WOG - 150 WSP



Material Specifications

No.	Part	Materials
1	Body	Lead Free Brass - C46400
2	End Connection	Lead Free Brass - C46400
3	Ball	304 Stainless Steel
4	Seat (2)	PTFE
5	Stem	304 Stainless Steel
6	Stem O-ring (2)	Buna-N
7	Handle*	Steel - Chrome Plated or Aluminum
8	Handle Nut / Screw*	Steel - Chrome Plated

*Material depends on handle selection

Dimensions

Part No.	Size	A	B	C	D
100-397G	1/8" FIP x 1/8" MIP	1.90	1.07	1.77	0.28
100-398G	1/4" FIP x 1/8" MIP	1.93	1.07	1.77	0.28
100-399G	1/4" FIP x 1/4" MIP	2.01	1.07	1.77	0.28
100-400G	1/4" FIP x 1/4" FIP	1.65	1.07	1.77	0.28

T-Handle

100-397THG	1/8" FIP x 1/8" MIP	1.90	1.10	1.33	0.28
100-398THG	1/4" FIP x 1/8" MIP	1.93	1.10	1.33	0.28
100-399THG	1/4" FIP x 1/4" MIP	2.01	1.10	1.33	0.28
100-400THG	1/4" FIP x 1/4" FIP	1.65	1.10	1.33	0.28

Note: Information subject to change without notice.

Lead Free Brass Ball Valve



2 Piece • Full Port • Threaded x Hose Connection • 600 WOG • with Cap and Chain • with Stainless Steel Trim



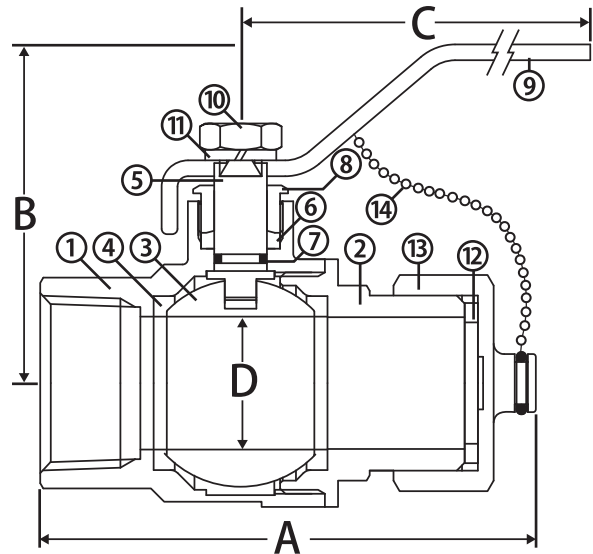
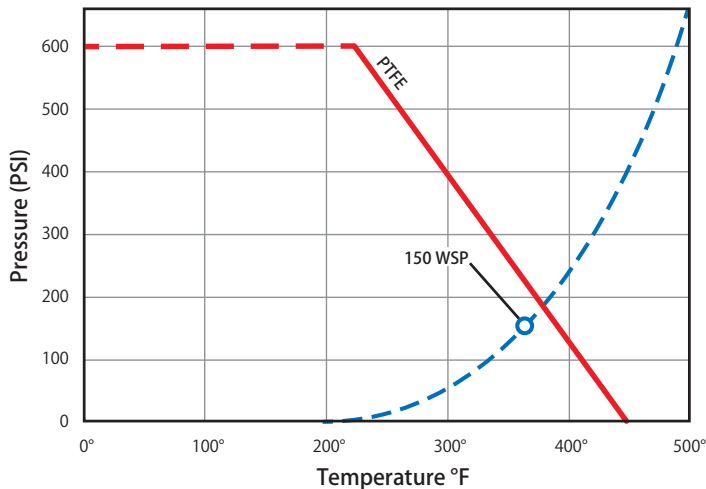
T-100HFG

Features

- Cap and chain for easy drain & hose connection
- Meets EPA Guidelines for safe drinking water
- Gland follower and single o-ring stem design
- Heavy steel chain
- Blow-out proof stem
- 100% leak tested
- Wetted surfaces contain less than .25% Lead content

Valve Seat Rating

600 WOG - 150 WSP



Material Specifications

No.	Part	Materials
1	Body	Lead Free Brass - C46400
2	End Connection	Lead Free Brass - C46400
3	Ball	304 Stainless Steel
4	Seat (2)	PTFE
5	Stem	304 Stainless Steel
6	Packing	PTFE
7	Stem O-ring	Buna-N
8	Packing Gland	Lead Free Brass - C46400
9	Handle	Steel - Chrome Plated
10	Handle Nut	Steel - Chrome Plated
11	Lock Washer	Steel - Chrome Plated
12	Cap Washer	EPDM
13	Cap	Lead Free Brass - C46400
14	Chain	Steel - Chrome Plated

Dimensions

Part No.	Size	A	B	C	D
100-653G	1/2"	3.15	1.48	3.54	0.51
100-654G	3/4"	3.43	1.94	4.45	0.75

Note: Information subject to change without notice.

Lead Free Brass Ball Valve

2 Piece • Full Port • Solder x Hose Connection • 600 WOG • with Cap and Chain • with Stainless Steel Trim



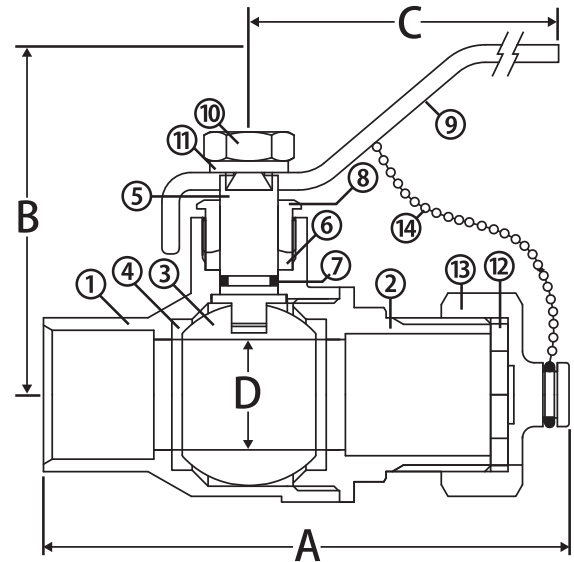
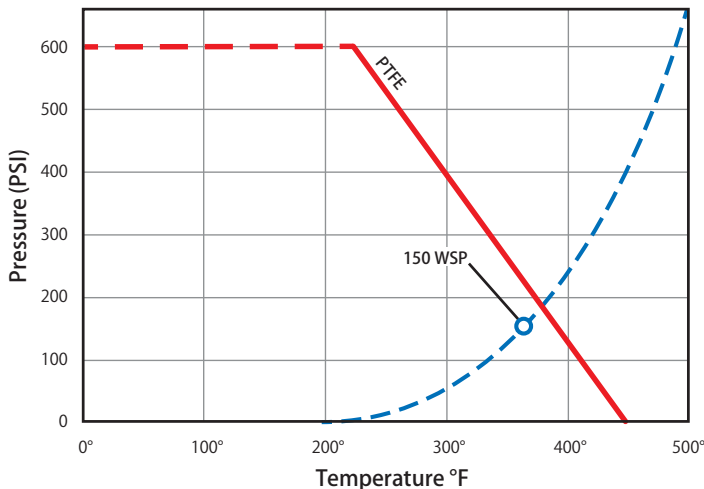
S-100HSG

Features

- Cap and chain for easy drain & hose connection
- Meets EPA Guidelines for safe drinking water
- Gland follower and single o-ring stem design
- Heavy steel chain
- Blow-out proof stem
- 100% leak tested
- Wetted surfaces contain less than .25% Lead content

Valve Seat Rating

600 WOG - 150 WSP



Material Specifications

No.	Part	Materials
1	Body	Lead Free Brass - C46400
2	End Connection	Lead Free Brass - C46400
3	Ball	304 Stainless Steel
4	Seat (2)	PTFE
5	Stem	304 Stainless Steel
6	Packing	PTFE
7	Stem O-ring	Buna-N
8	Packing Gland	Lead Free Brass - C46400
9	Handle	Steel - Chrome Plated
10	Handle Nut	Steel - Chrome Plated
11	Lock Washer	Steel - Chrome Plated
12	Cap Washer	EPDM
13	Cap	Lead Free Brass - C46400
14	Chain	Steel - Chrome Plated

Dimensions

Part No.	Size	A	B	C	D
100-663G	1/2"	3.07	1.48	3.54	0.51
100-664G	3/4"	3.54	1.94	4.45	0.75

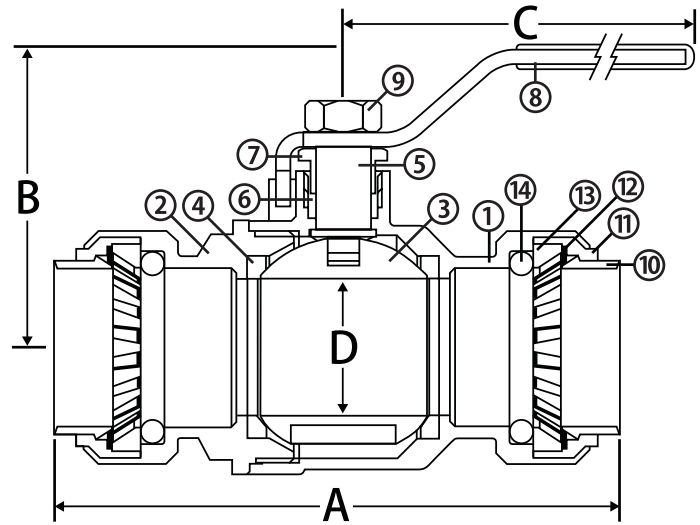
Lead Free Brass Ball Valve



2 Piece • Full Port • Push-Fit Connection • 200 WOG



JFPG-100



Features

- Easy to connect and fit in seconds
- Connects with copper, CPVC and PEX
- Gland follower and single o-ring stem design
- Includes two pipe reinforcers and release tool
- 100% leak tested
- Wetted surfaces contain less than .25% Lead content

Approvals

- UL Listed
 - VQGU - Trim & drain
- Meets ASSE/1061 Standard

Pressure Rating

- Pressure rating: max. 200 PSI
- Temperature range: max. 200° F water service

Material Specifications

No.	Part	Materials
1	Body	Lead Free Brass - C46400
2	End Connection	Lead Free Brass - C46400
3	Ball	Chrome Plated Brass - C46400
4	Seat (2)	PTFE
5	Stem	Lead Free Brass - C46400
6	Packing	PTFE
7	Packing Gland	Lead Free Brass - C46400
8	Handle	Steel - Q235
9	Handle Nut	Steel - S.201
10	Push Ring	POM
11	Lock Ring	POM
12	Gripper Ring	304 Stainless Steel
13	Seat Ring	POM
14	O-ring	EPDM
15	Pipe Reinforcer (2)*	POM
16	Release Tool*	POM

* Not shown in drawing

Dimensions

Part No.	Size	A	B	C	D
100-103JFPG	1/2"	2.98	2.08	3.87	0.59
100-104JFPG	3/4"	3.38	2.15	3.87	0.75
100-105JFPG	1"	3.94	2.31	4.42	0.98

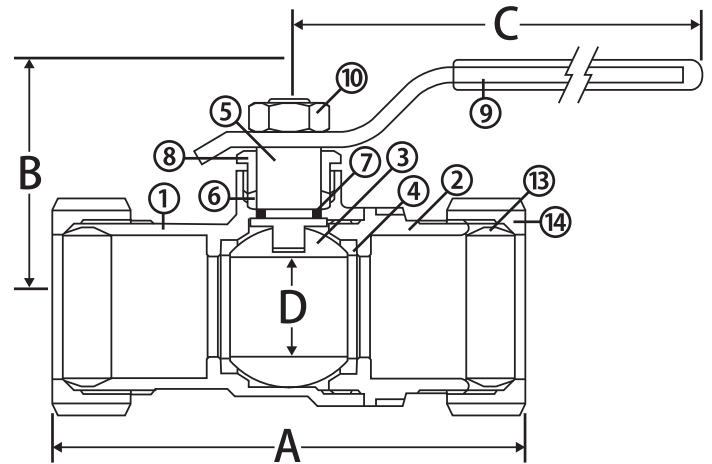
Note: Information subject to change without notice.

Lead Free Brass Ball Valve

2 Piece • Full Port • Compression Connection • 600 WOG • with Drain • with Stainless Steel Trim



C-402G



Material Specifications

No.	Part	Materials
1	Body	Lead Free Brass - C46400
2	End Connection	Lead Free Brass - C46400
3	Ball	304 Stainless Steel
4	Seat (2)	PTFE
5	Stem	304 Stainless Steel
6	Packing	PTFE
7	Stem O-ring	Buna-N
8	Packing Gland	Lead Free Brass - C46400
9	Handle	Steel - Chrome Plated
10	Handle Nut	Steel - Chrome Plated
11	Flat Washer*	Buna-N
12	Bleeder Cap*	Lead Free Brass - C46400
13	Compression Ring	Lead Free Brass - C46400
14	Compression Nut	Lead Free Brass - C46400

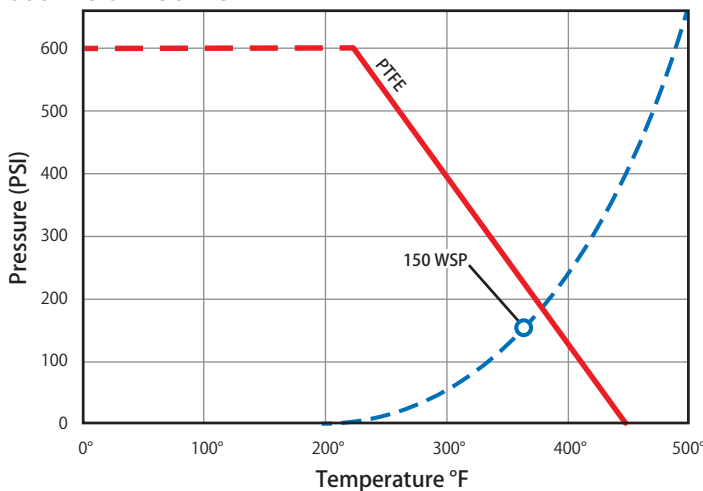
* Not shown in drawing

Features

- Drain feature prevents freeze-up
- Eliminates seat damage during soldering
- Compression ends ease maintenance
- Blow-out proof stem
- Gland follower and single o-ring stem design
- 100% leak tested
- Wetted surfaces contain less than .25% Lead content

Valve Seat Rating

600 WOG - 150 WSP



Dimensions

Part No.	Size	A	B	C	D
102-653G	1/2"	2.99	1.80	3.55	0.50
102-654G	3/4"	3.39	2.10	4.50	0.75
102-655G	1"	4.00	2.30	4.50	1.00

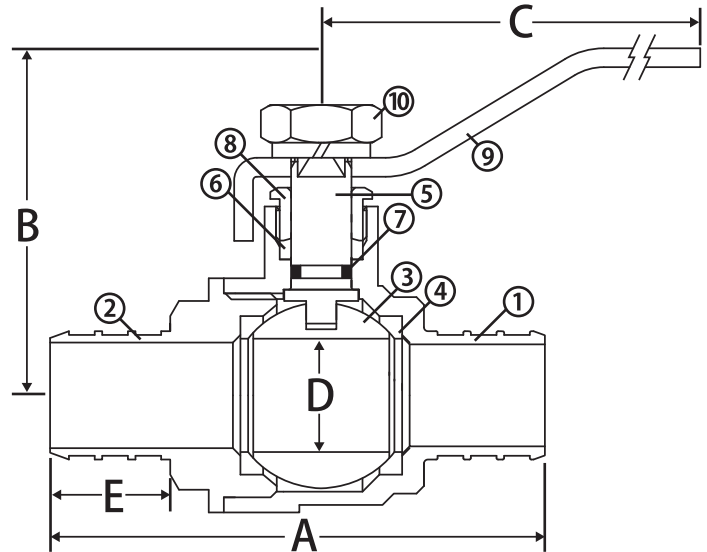
Lead Free Brass Ball Valve



2 Piece • Standard Port • Pex Connection • 600 WOG • with Stainless Steel Trim



T-412G



Features

- Gland follower and single o-ring stem design
- Blow-out proof stem
- 100% leak tested

Approvals

- IAPMO Certified
 - NSF 61-8
 - NSF 61 - Annex G

Pressure Rating

- Body rated to 600 WOG
- Crimp connection rated to 100 WOG up to 180°F

Material Specifications

No.	Part	Materials
1	Body	Lead Free Brass - C46400
2	End Connection	Lead Free Brass - C46400
3	Ball	304 Stainless Steel
4	Seat (2)	PTFE
5	Stem	304 Stainless Steel
6	Packing	PTFE
7	Stem O-ring	Buna-N
8	Packing Gland	Lead Free Brass - C46400
9	Handle	Steel - Chrome Plated
10	Handle Nut	Steel - Chrome Plated

Dimensions

Part No.	Size	A	B	C	D	E
103-523PG	1/2"	2.45	1.65	3.54	0.35	0.63
103-524PG	3/4"	2.58	1.72	3.54	0.53	0.63
103-525PG	1"	3.16	1.95	4.45	0.71	0.80

MIP x PEX

103-534MPG	3/4"	2.58	1.65	3.54	0.53	0.63
------------	------	------	------	------	------	------

Lead Free Brass Ball Valve

2 Piece • Standard Port • Solder x Pex Connection • 600 WOG • with Stainless Steel Trim



S-412G

Features

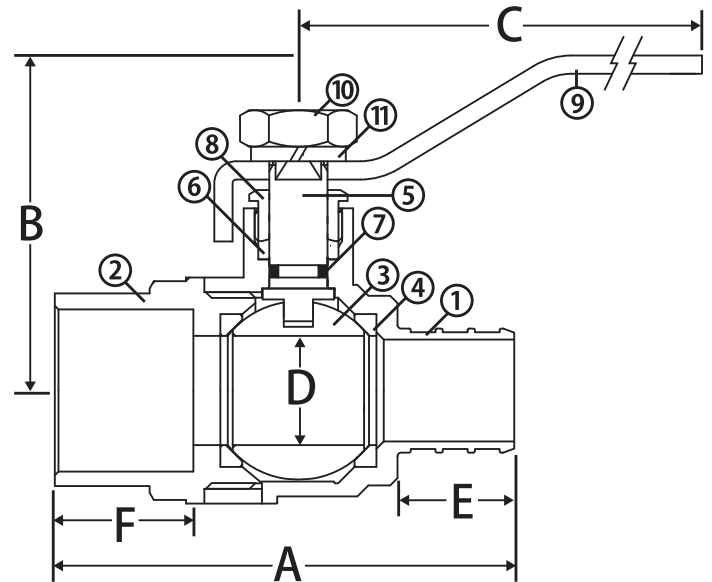
- Gland follower and single o-ring stem design
- Blow-out proof stem
- 100% leak tested

Approvals

- IAPMO Certified
 - NSF 61-8
 - NSF 61 - Annex G

Pressure Rating

- Body rated to 600 WOG
- Crimp connection rated to 100 WOG up to 180°F



Material Specifications

No.	Part	Materials
1	Body	Lead Free Brass - C46400
2	End Connection	Lead Free Brass - C46400
3	Ball	304 Stainless Steel
4	Seat (2)	PTFE
5	Stem	304 Stainless Steel
6	Packing	PTFE
7	Stem O-ring	Buna-N
8	Packing Gland	Lead Free Brass - C46400
9	Handle	Steel - Chrome Plated
10	Handle Nut	Steel - Chrome Plated
11	Lock Washer	Steel - Chrome Plated

Dimensions

Part No.	Size	A	B	C	D	E	F
103-533PG	1/2"	2.05	1.65	3.54	0.35	0.63	0.51
103-534PG	3/4"	2.48	1.72	3.54	0.53	0.63	0.75

Lead Free Brass Dielectric Unions



Brass Solder x Galvanized • 250 PSI



Solder x FIP

Solder x FIP
Reducing

Solder x MIP

Brass Solder x Galvanized

Features

- Prevents accelerated corrosion
- Wetted surfaces contain less than .25% Lead content

Approvals

- Meets ANSI B16.39
- IPS ANSI B1.20.1
- Solder end ANSI B16.18

Pressure Ratings

- Pressure rating: 250 PSI
- -20°F to 180°F - Buna Seats
- -20°F to 220°F - Teflon Seats

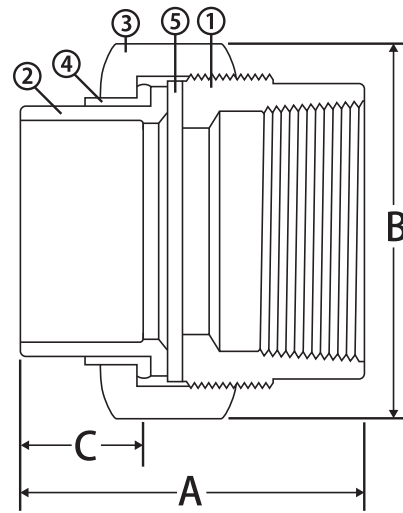
Material Specifications

No.	Part	Materials
1	Body	Steel - Zinc Plated
2	Tail Piece	Lead Free Brass
3	Union Nut	Steel - Zinc Plated
4	Dielectric Ring	Nylon 66
5	Gasket*	Buna-N

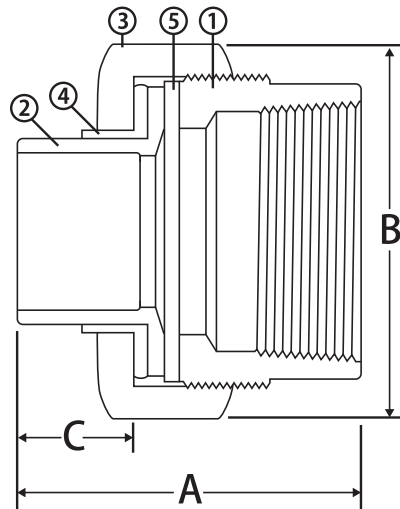
*Teflon available if specified

Dimensions

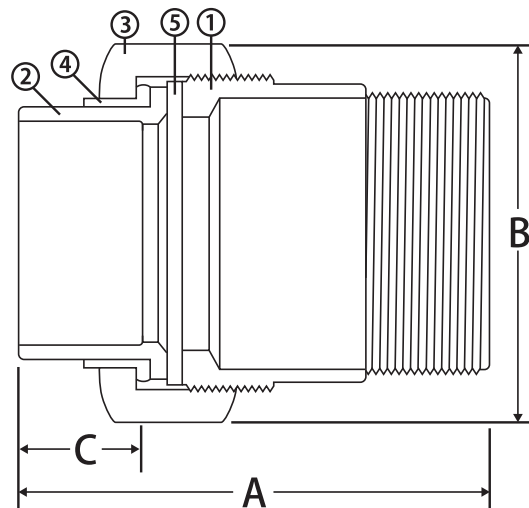
Part No.	Size	A	B	C
Solder x FIP				
701-103G	1/2" SWT x 1/2" FIP	1.87	1.61	0.65
701-104G	3/4" SWT x 3/4" FIP	2.11	1.83	0.79
701-105G	1" SWT x 1" FIP	2.34	2.15	0.86
701-106G	1-1/4" SWT x 1-1/4" FIP	2.50	2.59	0.94
701-107G	1-1/2" SWT x 1-1/2" FIP	2.79	2.95	1.11
701-108G	2" SWT x 2" FIP	3.09	3.75	1.32
Solder x FIP Reducing				
701-204G	1/2" SWT x 3/4" FIP	1.95	1.83	0.65
701-205G	3/4" SWT x 1" FIP	2.10	2.15	0.68
MIP x Solder				
701-303G	1/2" SWT x 1/2" MIP	2.85	1.61	0.65
701-304G	3/4" SWT x 3/4" MIP	3.01	1.83	0.79
701-305G	3/4" SWT x 1/2" MIP	2.62	1.83	0.65
701-306G	1" SWT x 1" MIP	3.18	2.15	0.86



Solder x FIP



Solder x FIP Reducing



Solder x MIP

Note: Information subject to change without notice.

Lead Free Brass Dielectric Unions



Brass FIP x Galvanized FIP • 250 PSI



Brass FIP x Galvanized FIP

Features

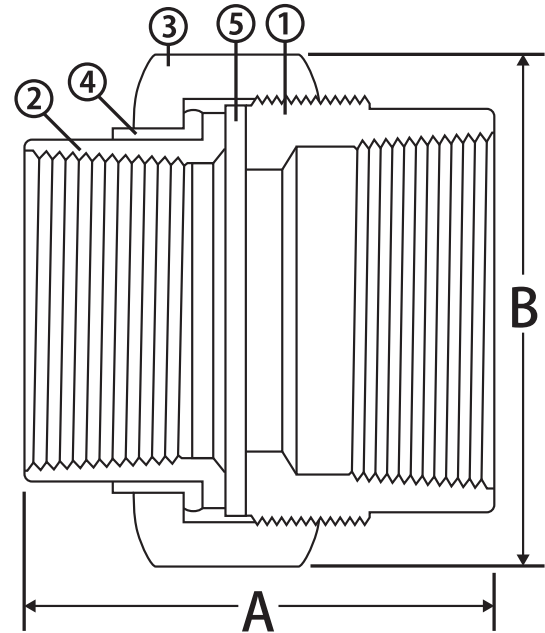
- Prevents accelerated corrosion
- Wetted surfaces contain less than .25% Lead content

Approvals

- Meets ANSI B16.39
- IPS ANSI B1.20.1
- Solder end ANSI B16.18

Pressure Ratings

- Pressure rating: 250 PSI
- -20°F to 180°F - Buna Seats
- -20°F to 220°F - Teflon Seats



Material Specifications

No.	Part	Materials
1	Body	Steel - Zinc Plated
2	Tail Piece	Lead Free Brass
3	Union Nut	Steel - Zinc Plated
4	Dielectric Ring	Nylon 66
5	Gasket*	Buna-N

*Teflon available if specified

Dimensions

Part No.	Size	A	B	C
701-503G	1/2" FIP x 1/2" FIP	2.14	1.61	0.72
701-504G	3/4" FIP x 3/4" FIP	2.21	1.83	0.72
701-505G	1" FIP x 1" FIP	2.54	2.58	0.85

Lead Free Vacuum Breaker

Threaded Connection



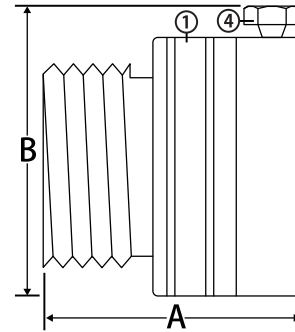
T-653G

Features

- 3/4" hose connection
- Tamper-resistant breakaway screw
- Heavy brass construction
- POM internal components
- Wetted surfaces contain less than .25% Lead content

Temperature and Pressure Ratings

- 300 WOG - 150 PSI



Material Specifications

No.	Part	Materials
1	Body	Lead Free Brass
2	Diaphragm*	Buna-N
3	Spring*	Stainless Steel
4	Set Screw	Steel

*Not shown in drawing

Dimensions

Part No.	Size	A	B
203-204G	3/4"	1.31	1.25

Lead Free Chrome-Plated Vacuum Breaker

Jomar VALVE  lead-free

Threaded Connection



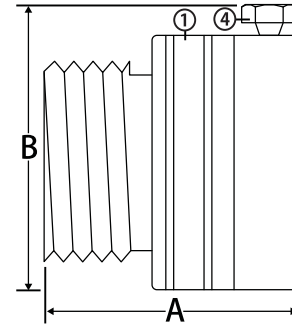
T-654G

Features

- 3/4" hose connection
- Tamper-resistant breakaway screw
- Heavy brass construction
- POM internal components
- Wetted surfaces contain less than .25% Lead content

Temperature and Pressure Ratings

- 300 WOG - 150 PSI



Material Specifications

No.	Part	Materials
1	Body	Chrome Plated Lead Free Brass
2	Diaphragm*	Buna-N
3	Spring*	Stainless Steel
4	Set Screw	Steel

* Not shown in drawing

Dimensions

Part No.	Size	A	B
203-205G	3/4"	1.31	1.25

Lead Free Bronze Y-pattern Check Valve



Threaded Connection • 300 WOG



T-511G

Features

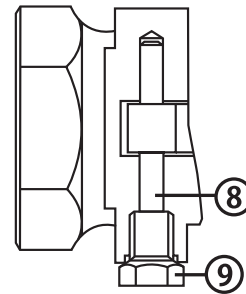
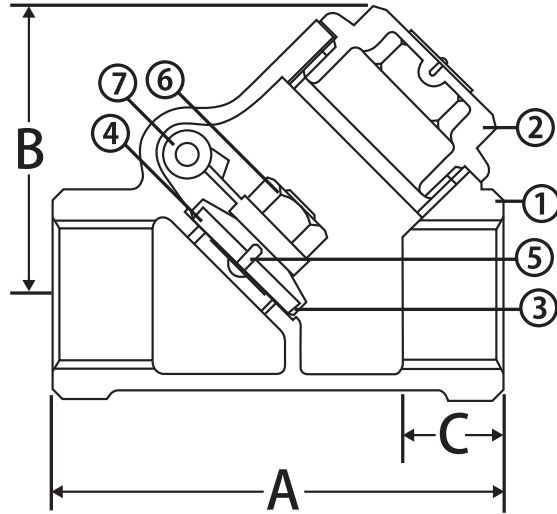
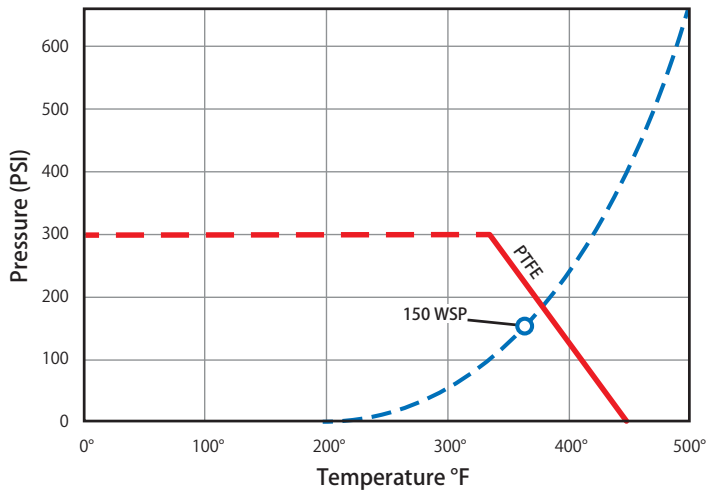
- Vertical or horizontal positions
- Wetted surfaces contain less than .25% Lead content

Approvals

- MSS SP-80

Valve Seat Rating

300 WOG - 150 WSP



Material Specifications

No.	Part	Materials
1	Body	Lead Free Bronze
2	Cap	Lead Free Bronze
3	Disc	Lead Free Bronze
4	Seat	PTFE
5	Seat Screw	Lead Free Brass
6	Seat Nut	Lead Free Brass
7	Hinge Arm	Lead Free Bronze
8	Hinge Pin	Lead Free Brass
9	Hinge Screw	Lead Free Brass

Dimensions

Part No.	Size	A	B	C
105-303G	1/2"	2.36	1.77	0.54
105-304G	3/4"	2.76	1.97	0.57
105-305G	1"	3.40	2.28	0.70
105-306G	1-1/4"	3.78	2.67	0.71
105-307G	1-1/2"	4.57	2.95	0.75
105-308G	2"	5.35	3.70	0.79

Note: Information subject to change without notice.

Lead Free Bronze Y-pattern Check Valve

Jomar VALVE **Pb** lead-free

Solder Connection • 300 WOG



S-511G

Features

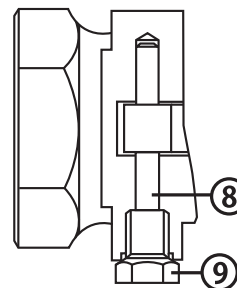
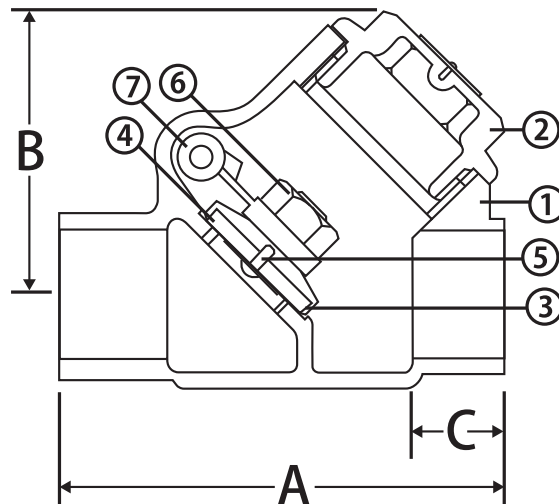
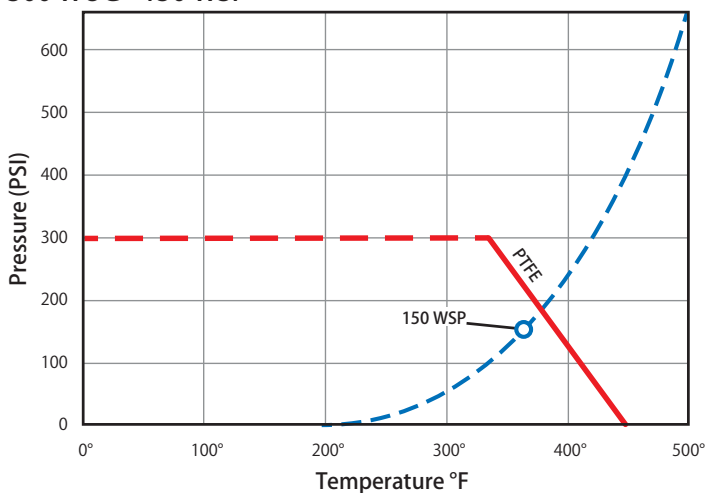
- Vertical or horizontal positions
- Wetted surfaces contain less than .25% Lead content

Approvals

- MSS SP-80

Valve Seat Rating

300 WOG - 150 WSP



Material Specifications

No.	Part	Materials
1	Body	Lead Free Bronze
2	Cap	Lead Free Bronze
3	Disc	Lead Free Bronze
4	Seat	PTFE
5	Seat Screw	Lead Free Brass
6	Seat Nut	Lead Free Brass
7	Hinge Arm	Lead Free Bronze
8	Hinge Pin	Lead Free Brass
9	Hinge Screw	Lead Free Brass

Dimensions

Part No.	Size	A	B	C
105-403G	1/2"	2.60	1.77	0.50
105-404G	3/4"	3.39	1.97	0.75
105-405G	1"	4.09	2.28	0.91
105-406G	1-1/4"	4.72	2.67	0.97
105-407G	1-1/2"	5.39	2.95	1.09
105-408G	2"	6.69	3.70	1.34

Lead Free Brass Horizontal Check Valve

Jomar VALVE  lead-free

Threaded Connection • 200 WOG



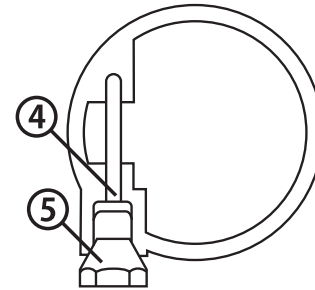
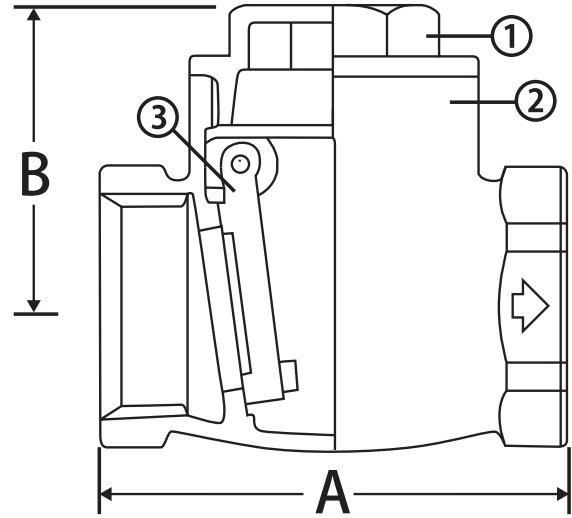
T-501G

Features

- Residential and commercial applications
- Wetted surfaces contain less than .25% Lead content

Pressure Rating

- 200 WOG



Material Specifications

No.	Part	Materials
1	Cap	Lead Free Cast Brass
2	Body	Lead Free Cast Brass
3	Disc	Lead Free Forged Brass
4	Hinge Pin	Lead Free Brass
5	Screw	Lead Free Brass

Dimensions

Part No.	Size	A	B
105-103G	1/2"	2.13	1.54
105-104G	3/4"	2.33	1.62
105-105G	1"	2.72	1.77
105-106G	1-1/4"	3.11	2.01
105-107G	1-1/2"	3.51	2.25
105-108G	2"	4.30	2.68

Lead Free Brass Horizontal Check Valve

Jomar VALVE  lead-free

Solder Connection • 200 WOG



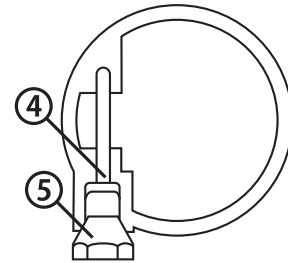
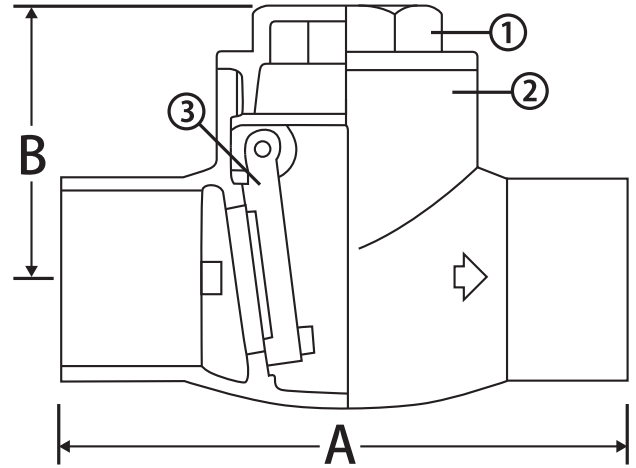
S-501G

Features

- Residential and commercial applications
- Wetted surfaces contain less than .25% Lead content

Pressure Rating

- 200 WOG



Material Specifications

No.	Part	Materials
1	Cap	Lead Free Cast Brass
2	Body	Lead Free Cast Brass
3	Disc	Lead Free Forged Brass
4	Hinge Pin	Lead Free Brass
5	Screw	Lead Free Brass

Dimensions

Part No.	Size	A	B
105-203G	1/2"	2.52	1.54
105-204G	3/4 "	3.11	1.62
105-205G	1"	3.90	1.77
105-206G	1-1/4"	4.37	2.01
105-207G	1-1/2"	4.96	2.25
105-208G	2"	5.99	2.68

Lead Free Brass Sillcock

Female Threaded Connection • 125 WOG



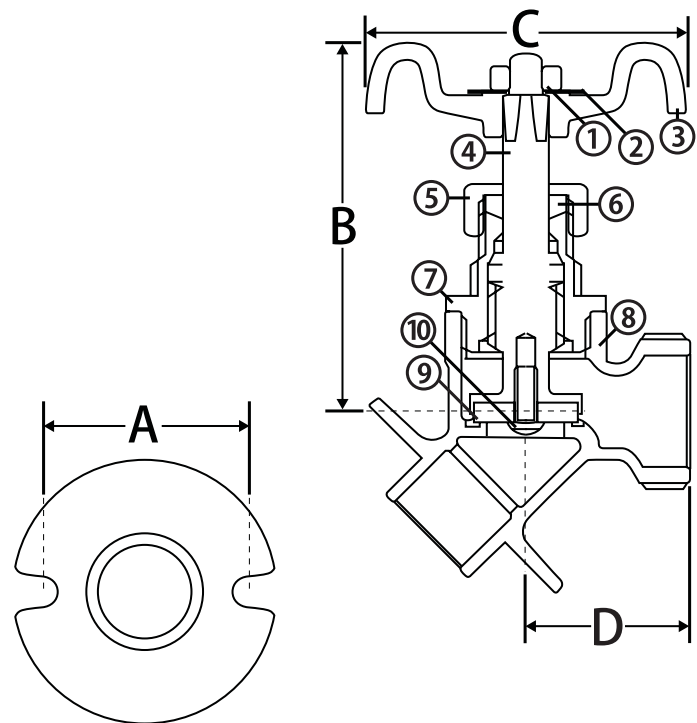
T-641G

Features

- Manufactured in ISO-9001 facility
- 3/4" hose thread outlet
- Wetted surfaces contain less than .25% Lead content

Pressure Rating

- 125 WOG



Material Specifications

No.	Part	Materials
1	Handle Nut	Steel
2	Name Plate	Aluminum
3	Handle Wheel	Cast Iron
4	Stem	Lead Free Brass
5	Packing Nut	Lead Free Brass
6	Gland Packing	Graphite
7	Bonnet	Lead Free Cast Brass
8	Body	Lead Free Cast Brass
9	Seat Packing	Buna-N
10	Seat Screw	Lead Free Brass

Dimensions

Part No.	Size	A	B	C	D
202-003G	1/2"	1.10	2.52	2.13	1.38
202-004G	3/4"	1.10	2.52	2.13	1.62

Lead Free Brass Sillcock

Solder Connection • 125 WOG



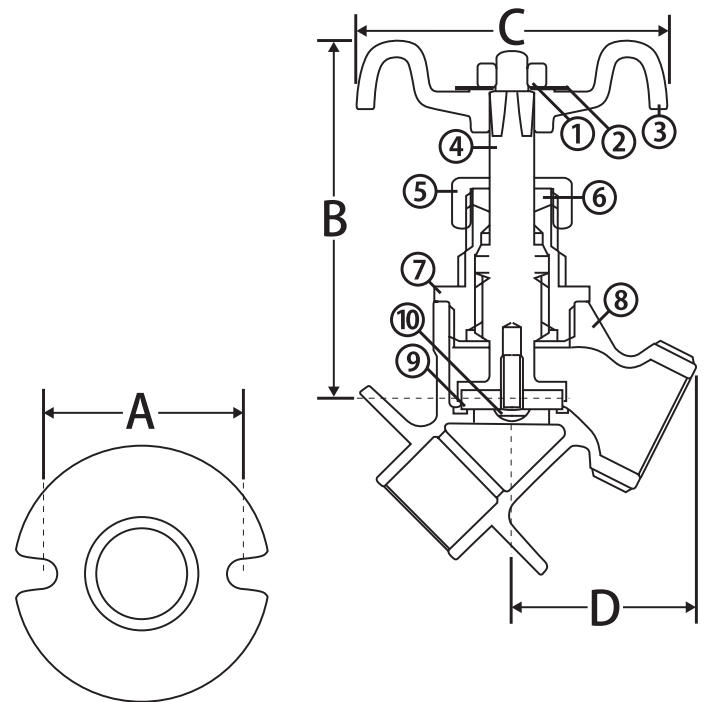
S-641G

Features

- Manufactured in ISO-9001 facility
- 3/4" hose thread outlet
- Wetted surfaces contain less than .25% Lead content

Pressure Rating

- 125 WOG



Material Specifications

No.	Part	Materials
1	Handle Nut	Steel
2	Name Plate	Aluminum
3	Handle Wheel	Cast Iron
4	Stem	Lead Free Brass
5	Packing Nut	Lead Free Brass
6	Gland Packing	Graphite
7	Bonnet	Lead Free Cast Brass
8	Body	Lead Free Cast Brass
9	Seat Packing	Buna-N
10	Seat Screw	Lead Free Brass

Dimensions

Part No.	Size	A	B	C	D
202-103G	1/2"	1.10	2.52	2.13	1.38
202-104G	3/4"	1.10	2.52	2.13	1.62

Lead Free Brass Gate Valve



Non-rising Stem • Threaded Connection • 200 WOG

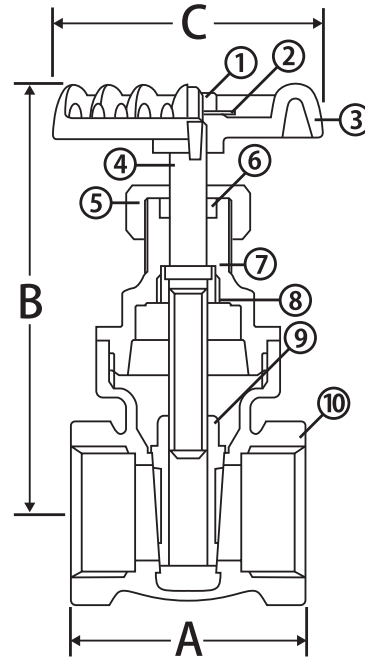
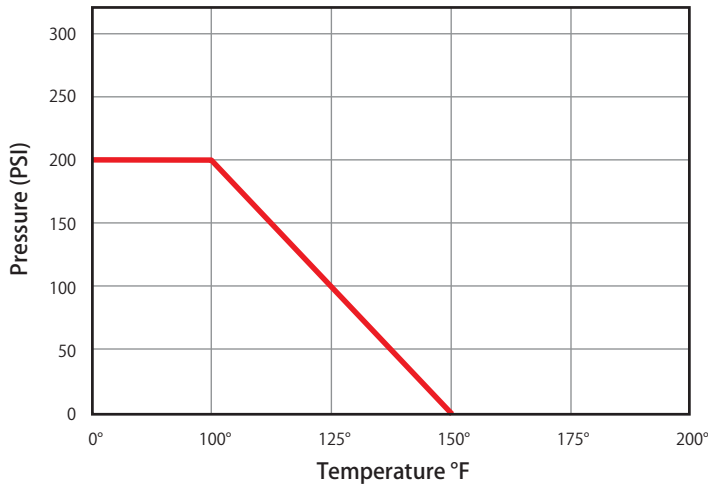


T-301G

Features

- Manufactured in ISO-9001 facility
- ANSI B16.20.1 threaded ends
- Solid wedge gate
- Wetted surfaces contain less than .25% Lead content

Pressure Rating 200 WOG



Material Specifications

No.	Part	Materials
1	Handle Nut	Steel
2	Name Plate	Aluminum
3	Hand Wheel	Cast Iron
4	Stem	Lead Free Brass
5	Packing Nut	Lead Free Brass
6	Gland Packing	Graphite
7	Bonnet	Cast Brass
8	Lock Nut	Lead Free Brass
9	Disc	Lead Free Cast Brass
10	Body	Lead Free Cast Brass

Dimensions

Part No.	Size	A	B	C
103-301G	1/4"	1.62	2.76	2.13
103-302G	3/8"	1.62	2.76	2.13
103-303G	1/2"	1.69	2.84	2.13
103-304G	3/4"	1.85	3.31	2.13
103-305G	1"	2.13	3.86	2.40
103-306G	1-1/4"	2.40	4.57	2.75
103-307G	1-1/2"	2.44	4.93	3.13
103-308G	2"	2.84	6.03	3.27
103-309G	2-1/2"	3.51	7.33	4.14
103-310G	3"	3.98	8.75	5.12
103-311G	4"	4.57	10.17	6.78

Note: Information subject to change without notice.

Lead Free Brass Gate Valve



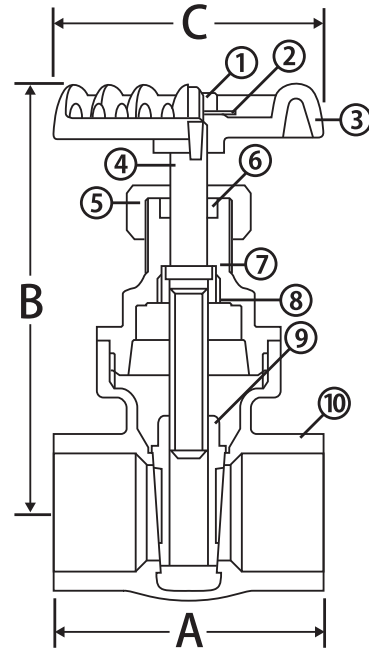
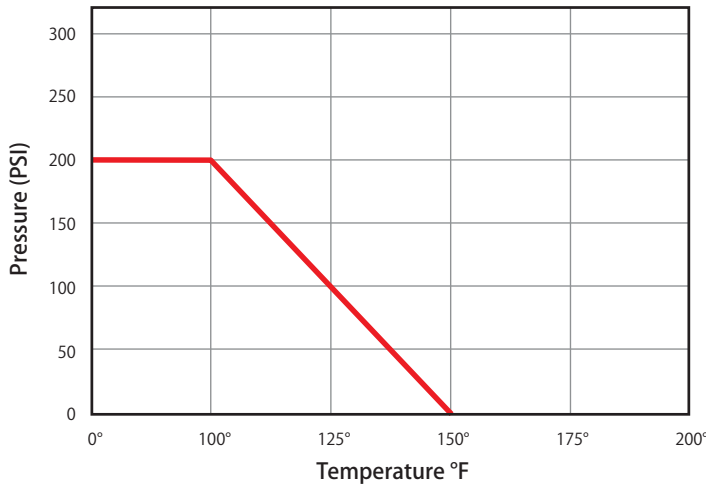
Non-rising Stem • Solder Connection • 200 WOG



Features

- Manufactured in ISO-9001 facility
- ANSI B16.18 solder ends
- Solid wedge gate
- Wetted surfaces contain less than .25% Lead content

Pressure Rating 200 WOG



Material Specifications

No.	Part	Materials
1	Handle Nut	Steel
2	Name Plate	Aluminum
3	Hand Wheel	Cast Iron
4	Stem	Lead Free Brass
5	Packing Nut	Lead Free Brass
6	Gland Packing	Graphite
7	Bonnet	Cast Brass
8	Lock Nut	Lead Free Brass
9	Disc	Lead Free Cast Brass
10	Body	Lead Free Cast Brass

Dimensions

Part No.	Size	A	B	C
103-403G	1/2"	1.77	2.84	2.13
103-404G	3/4"	2.32	3.31	2.13
103-405G	1"	2.76	3.86	2.40
103-406G	1-1/4"	2.88	4.57	3.03
103-407G	1-1/2"	3.19	4.93	3.03
103-408G	2"	3.90	6.03	3.27

Lead Free Brass Gate Valve



Non-rising Stem • Compression Connection • 200 WOG



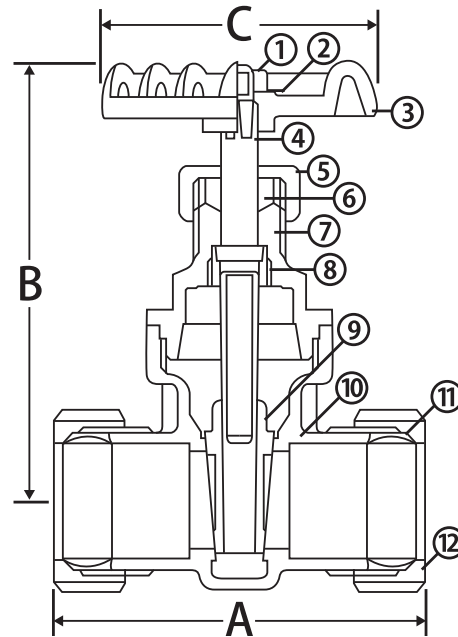
T-302G

Features

- Manufactured in ISO-9001 facility
- Solid wedge gate
- Wetted surfaces contain less than .25% Lead content

Pressure Rating

- 200 WOG



Material Specifications

No.	Part	Materials
1	Handle Nut	Steel
2	Name Plate	Aluminum
3	Hand Wheel	Cast Iron
4	Stem	Lead Free Brass
5	Packing Nut	Lead Free Brass
6	Gland Packing	Graphite
7	Bonnet	Cast Brass
8	Lock Nut	Lead Free Brass
9	Disc	Lead Free Cast Brass
10	Body	Lead Free Cast Brass
11	Compression Ring	Brass Tube
12	Compression Nut	Lead Free Cast Brass

Dimensions

Part No.	Size	A	B	C
103-423G	1/2"	2.72	2.84	2.13
103-424G	3/4"	2.96	3.31	2.13
103-425G	1"	3.27	3.86	2.41

Lead Free Brass Stop & Waste Valve



Compression Connection • 200 WOG



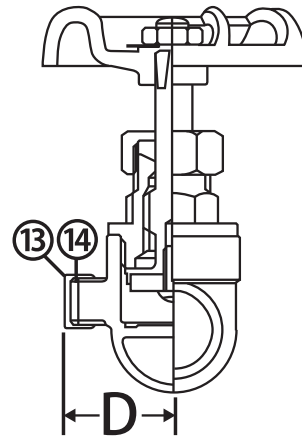
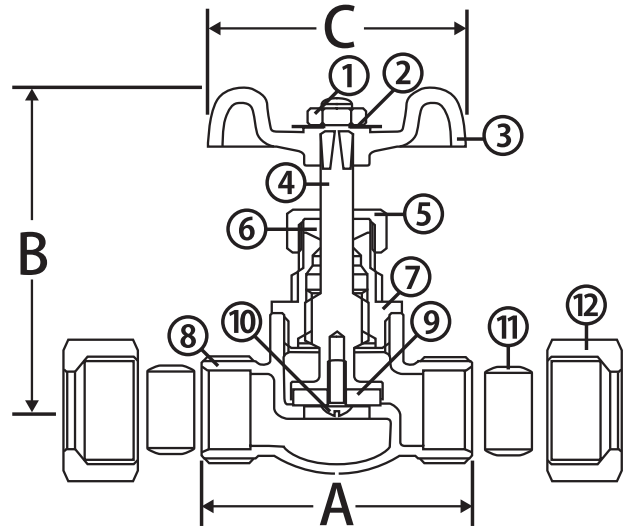
T-612G

Features

- Manufactured in ISO-9001 facility
- Wetted surfaces contain less than .25% Lead content

Pressure Rating

- 200 WOG



Material Specifications

No.	Part	Materials
1	Handle Nut	Steel
2	Name Plate	Aluminum
3	Hand Wheel	Cast Iron
4	Stem	Lead Free Brass
5	Packing Nut	Lead Free Brass
6	Gland Packing	Graphite
7	Bonnet	Lead Free Cast Brass
8	Body	Lead Free Cast Brass
9	Seat Packing	Buna-N
10	Seat Screw	Lead Free Brass
11	Compression Ring	Brass Tube
12	Compression Nut	Lead Free Cast Brass
13	Drain Cap	Lead Free Brass
14	Drain Packing	Buna-N

Dimensions

Part No.	Size	A	B	C	D
200-313G	1/2"	2.21	2.64	2.13	0.91
200-314G	3/4"	2.36	2.64	2.13	0.99

Note: Information subject to change without notice.

Lead Free Brass Stop Valve

Threaded Connection • 200 WOG



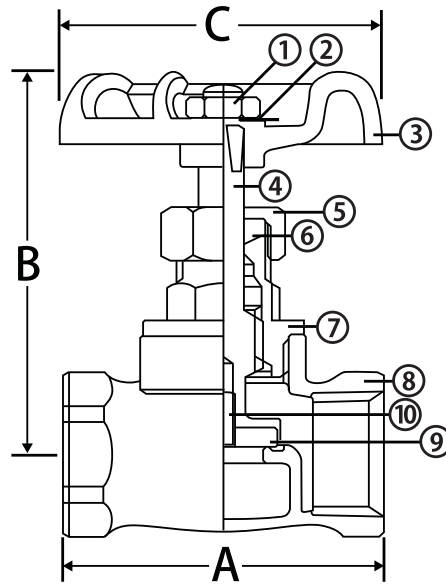
T-601G

Features

- Manufactured in ISO-9001 facility
- Wetted surfaces contain less than .25% Lead content

Pressure Rating

- 200 WOG



Material Specifications

No.	Part	Materials
1	Handle Nut	Steel
2	Name Plate	Aluminum
3	Hand Wheel	Cast Iron
4	Stem	Lead Free Brass
5	Packing Nut	Lead Free Brass
6	Bland Packing	Graphite
7	Bonnet	Lead Free Cast Brass
8	Body	Lead Free Cast Brass
9	Seat Packing	Buna-N
10	Seat Screw	Lead Free Brass

Dimensions

Part No.	Size	A	B	C
200-003G	1/2"	2.13	2.64	2.13
200-004G	3/4"	2.17	2.64	2.13

Lead Free Brass Stop Valve

Solder Connection • 200 WOG



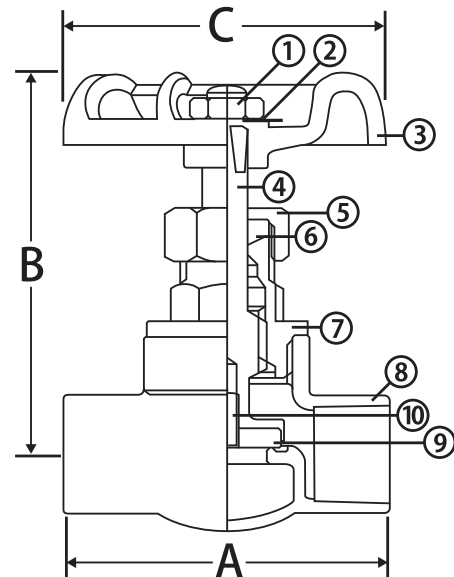
S-601G

Features

- Manufactured in ISO-9001 facility
- Wetted surfaces contain less than .25% Lead content

Pressure Rating

- 200 WOG



Material Specifications

No.	Part	Materials
1	Handle Nut	Steel
2	Name Plate	Aluminum
3	Hand Wheel	Cast Iron
4	Stem	Lead Free Brass
5	Packing Nut	Lead Free Brass
6	Bland Packing	Graphite
7	Bonnet	Lead Free Cast Brass
8	Body	Lead Free Cast Brass
9	Seat Packing	Buna-N
10	Seat Screw	Lead Free Brass

Dimensions

Part No.	Size	A	B	C
200-103G	1/2"	2.17	2.64	2.13
200-104G	3/4"	2.72	2.64	2.13

Lead Free Brass Stop & Waste Valve



Threaded Connection • 200 WOG



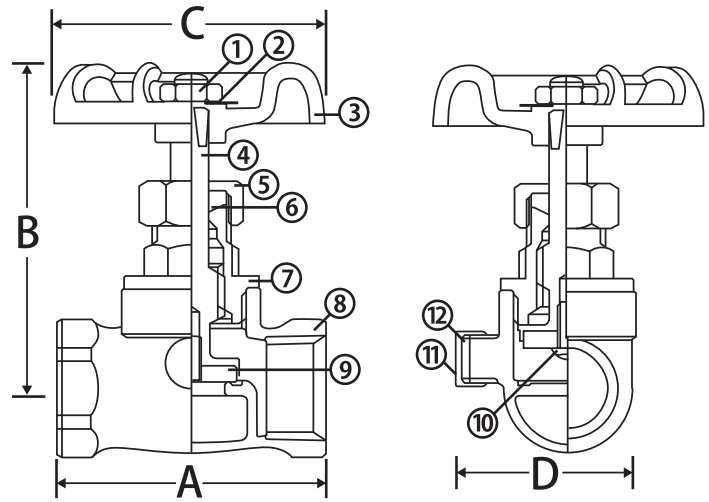
T-611G

Features

- Manufactured in ISO-9001 facility
- Wetted surfaces contain less than .25% Lead content

Pressure Rating

- 200 WOG



Material Specifications

No.	Part	Materials
1	Handle Nut	Steel
2	Name Plate	Aluminum
3	Hand Wheel	Cast Iron
4	Stem	Lead Free Brass
5	Packing Nut	Lead Free Brass
6	Gland Packing	Graphite
7	Bonnet	Lead Free Cast Brass
8	Body	Lead Free Cast Brass
9	Seat Packing	Buna-N
10	Seat Screw	Lead Free Brass
11	Drain Cap	Lead Free Brass
12	Drain Packing	Buna-N

Dimensions

Part No.	Size	A	B	C	D
200-203G	1/2"	2.13	2.64	2.13	0.91
200-204G	3/4"	2.17	2.64	2.13	0.99

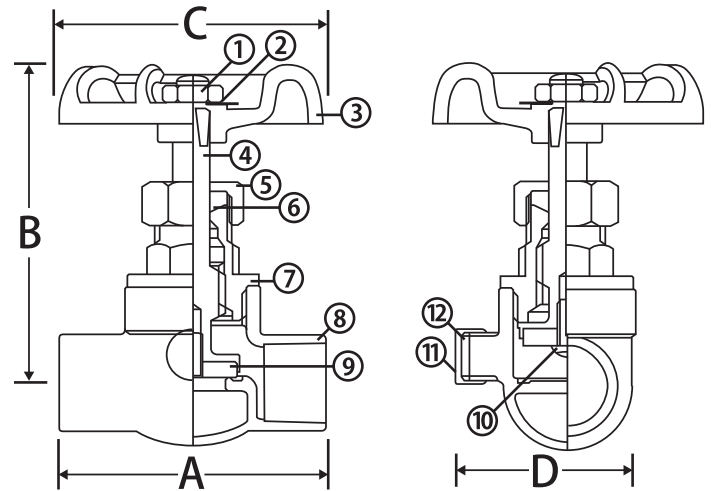
Lead Free Brass Stop & Waste Valve



Solder Connection • 200 WOG



S-611G



Features

- Manufactured in ISO-9001 facility
- Wetted surfaces contain less than .25% Lead content

Pressure Rating

- 200 WOG

Material Specifications

No.	Part	Materials
1	Handle Nut	Steel
2	Name Plate	Aluminum
3	Hand Wheel	Cast Iron
4	Stem	Lead Free Brass
5	Packing Nut	Lead Free Brass
6	Gland Packing	Graphite
7	Bonnet	Lead Free Cast Brass
8	Body	Lead Free Cast Brass
9	Seat Packing	Buna-N
10	Seat Screw	Lead Free Brass
11	Drain Cap	Lead Free Brass
12	Drain Packing	Buna-N

Dimensions

Part No.	Size	A	B	C	D
200-303G	1/2"	2.17	2.64	2.13	0.91
200-304G	3/4"	2.72	2.64	2.13	0.99

Lead Free Brass Boiler Drain

Threaded Male Connection • 125 WOG



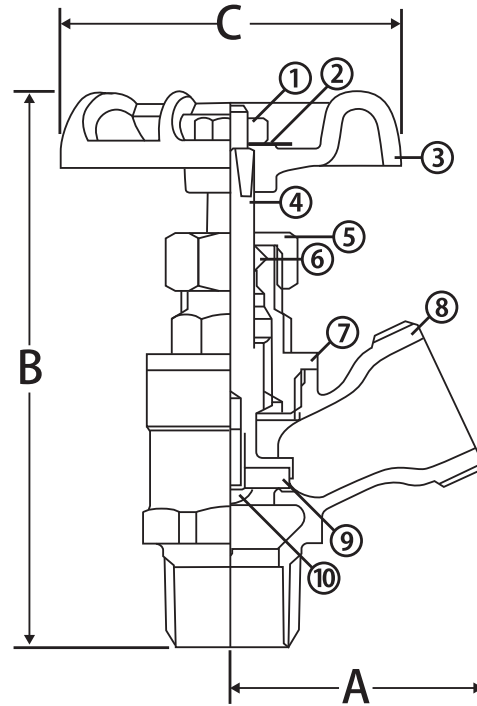
T-621G

Features

- Manufactured in ISO-9001 facility
- Heavy pattern brass
- Wetted surfaces contain less than .25% Lead content

Pressure Rating

- 125 WOG



Material Specifications

No.	Part	Materials
1	Handle Nut	Steel
2	Name Plate	Aluminum
3	Hand Wheel	Cast Iron
4	Stem	Lead Free Brass
5	Packing Nut	Lead Free Brass
6	Gland Packing	Graphite
7	Bonnet	Lead Free Cast Brass
8	Body	Lead Free Cast Brass
9	Seat Packing	Buna-N
10	Seat Screw	Lead Free Brass

Dimensions

Part No.	Size	A	B	C
201-003G	1/2"	1.58	3.59	2.13
201-004G	3/4"	1.58	3.70	2.13

Lead Free Brass Boiler Drain

Threaded Female Connection • 125 WOG



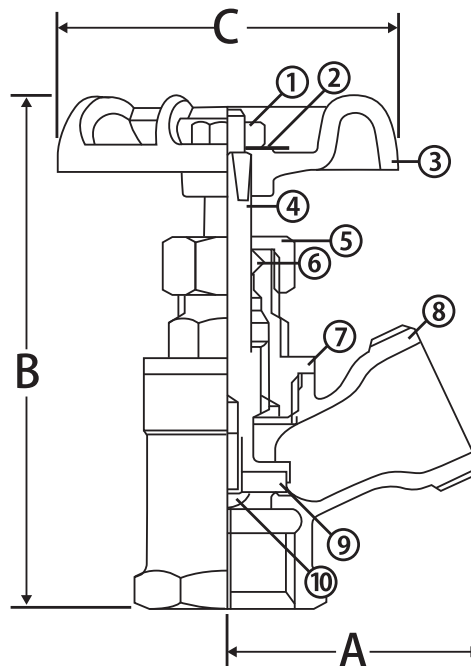
T-622G

Features

- Manufactured in ISO-9001 facility
- Heavy pattern brass
- Wetted surfaces contain less than .25% Lead content

Pressure Rating

- 125 WOG



Material Specifications

No.	Part	Materials
1	Handle Nut	Steel
2	Name Plate	Aluminum
3	Hand Wheel	Cast Iron
4	Stem	Lead Free Brass
5	Packing Nut	Lead Free Brass
6	Gland Packing	Graphite
7	Bonnet	Lead Free Cast Brass
8	Body	Lead Free Cast Brass
9	Seat Packing	Buna-N
10	Seat Screw	Lead Free Brass

Dimensions

Part No.	Size	A	B	C
201-103G	1/2"	1.58	3.31	2.13
201-104G	3/4"	1.58	3.35	2.13

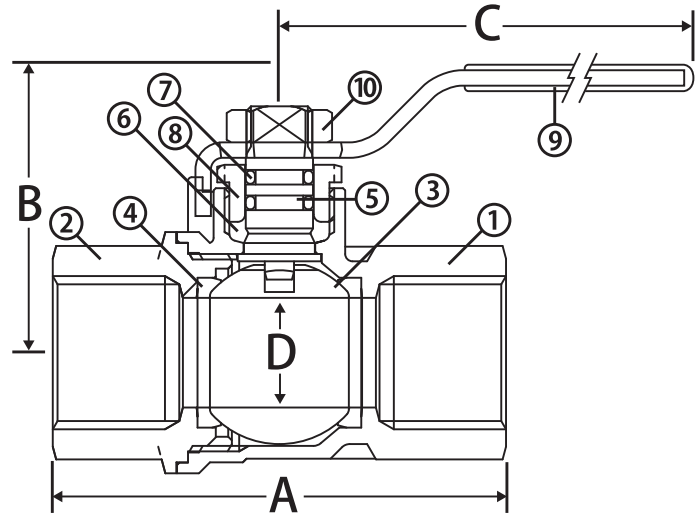
Brass Ball Valve



2 Piece • Full Port • Threaded Connections • 600 WOG



T-100NE



Features

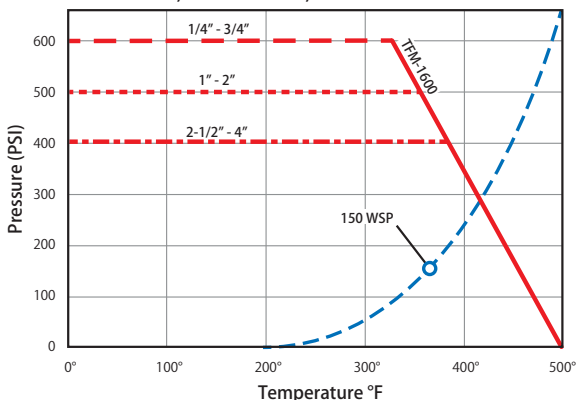
- Blow-out proof stem
- Triple sealing stem with 2 Viton® o-rings and Teflon® seal
- 100% leak tested
- Made in Italy
- Leakproof stem - Lifetime Warranty
- Accessories available on pages 197-199

Approvals

- UL Listed (1/4" - 2")
 - VQGU - Trim & drain
 - MHKZ - Manual valves
 - YQNZ - Compressed gas shut-off valves
 - YRBX - Flammable liquid shut-off valves
 - YRPV - Gas shut-off valves
 - YSDT - LP gas shut-off valves
 - SFJQ - Valves, refrigerant
- CSA Certified
 - ANSI Z21.15 (.5 PSIG) (1/4" - 3")
 - ASME B16.33 (125 PSIG) (1/2" - 2")
 - ASME B16.38 (2-1/2" - 4")
 - CGA 3.16 (125 PSI) (1/4" - 3/8")
 - CGA 9.2 (1/4" - 3")
- FM Approval (1/4" - 2")
- Delta C (3/8" - 3/4")
- MSS SP-110

Valve Seat Rating

1/4" - 3/4" 600 WOG, 1-2" 500 WOG, 2-1/2" - 4" 400 WOG - 150 WSP



Material Specifications

No.	Part	Materials
1	Body	Brass - CW617N
2	End Connection	Brass - CW617N
3	Ball	T.E.A. Coated Brass - CW617N
4	Seat (2)	Hostaflon® TFM 1600
5	Stem	Brass - CW614N
6	Packing	Hostaflon® TFM 1600
7	Stem O-ring (2)	Viton®
8	Packing Gland	Brass - CW614N
9	Handle	Steel - Geomet® Plated
10	Handle Nut	Steel - Geomet® Plated

Dimensions

Part No.	Size	A	B	C	D	CV
100-701	1/4"	1.86	1.41	2.95	0.39	7.66
100-702	3/8"	1.86	1.41	2.95	0.39	7.77
100-703	1/2"	2.45	1.53	2.95	0.59	16.82
100-704	3/4"	2.71	1.95	3.74	0.79	34.80
100-705	1"	3.30	2.40	4.75	0.97	52.20
100-706	1-1/4"	3.80	2.59	4.75	1.23	112.52
100-707	1-1/2"	4.16	3.22	6.00	1.49	174.00
100-708	2"	5.00	3.40	6.00	1.99	255.20
100-709	2 1/2"	6.06	4.60	8.00	2.46	350.32
100-710	3"	7.08	4.90	8.00	2.99	563.76
100-711	4"	8.57	5.90	9.88	4.00	879.28

Note: Information subject to change without notice.

Brass Ball Valve

2 Piece • Full Port • Solder Connection • 600 WOG



S-100NE

Features

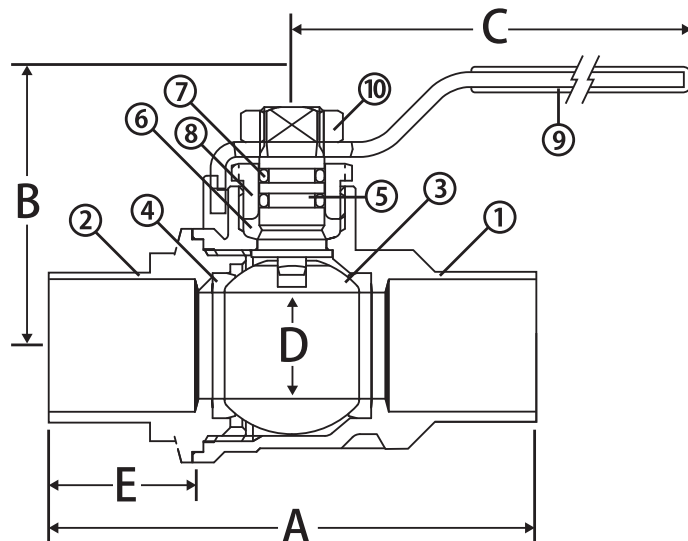
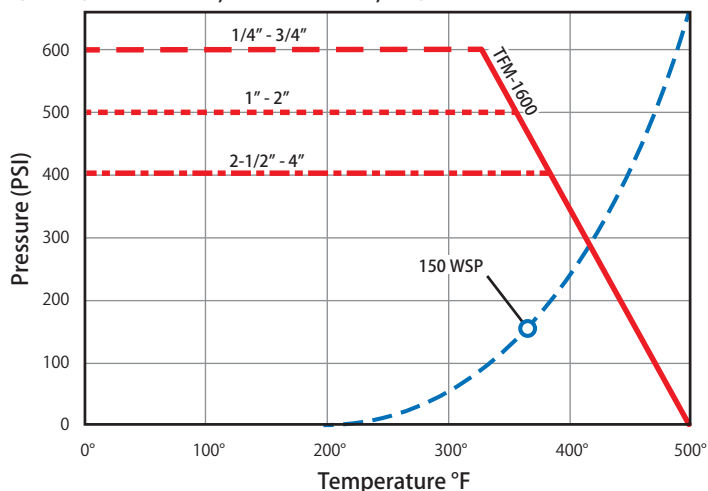
- Blow-out proof stem
- Triple sealing stem with 2 Viton® o-rings and Teflon® seal
- 100% leak tested
- Made in Italy
- Leakproof stem - Lifetime Warranty
- Accessories available on pages 197-199

Approvals

- UL Listed (1/2" - 2")
 - VQGU - Trim & drain
- MSS SP-110

Valve Seat Rating

1/4" - 3/4" 600 WOG, 1-2" 500 WOG, 2-1/2" - 4" 400 WOG - 150 WSP



Material Specifications

No.	Part	Materials
1	Body	Brass - CW617N
2	End Connection	Brass - CW617N
3	Ball	T.E.A. Coated Brass - CW617N
4	Seat (2)	Hostaflon® TFM 1600
5	Stem	Brass - CW614N
6	Packing	Hostaflon® TFM 1600
7	Stem O-ring (2)	Viton®
8	Packing Gland	Brass - CW614N
9	Handle	Steel - Geomet® Plated
10	Handle Nut	Steel - Geomet® Plated

Dimensions

Part No.	Size	A	B	C	D	E	CV
100-803	1/2"	2.48	1.56	2.95	0.59	0.51	16.82
100-804	3/4"	3.26	2.05	3.74	0.79	0.76	34.80
100-805	1"	3.94	2.55	4.75	0.97	0.92	52.20
100-806	1-1/4"	4.50	2.66	4.75	1.23	0.98	112.52
100-807	1-1/2"	5.07	3.31	6.00	1.49	1.10	174.00
100-808	2"	6.22	3.60	6.00	1.99	1.34	255.20
100-809	2 1/2"	7.28	4.74	8.00	2.46	1.45	350.32
100-810	3"	8.48	5.05	8.00	2.99	1.63	563.76

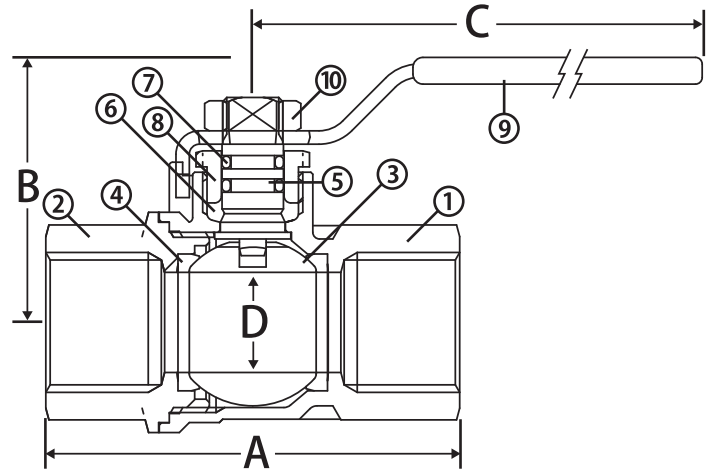
Brass Ball Valve



**2 Piece • Full Port • Threaded Connection • 600 WOG •
with Stainless Steel Trim**



T-100SSE



Features

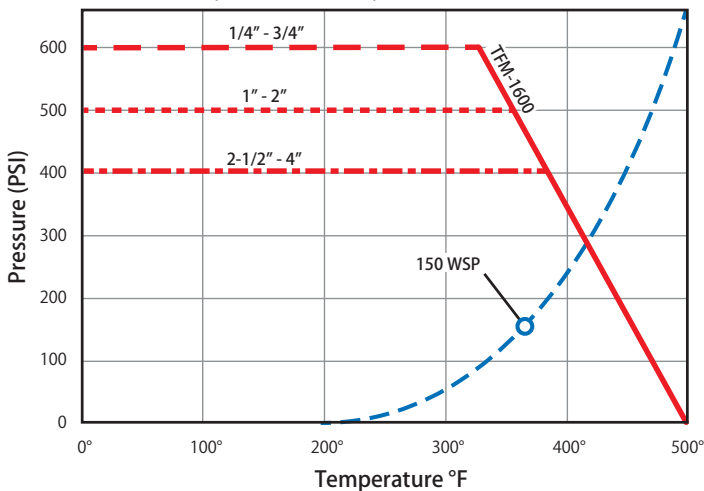
- Blow-out proof stem
- T.E.A. Ternary Eco Alloy® coated body
- Triple sealing stem with 2 Viton® o-rings and Teflon® seal
- 100% leak tested
- Made in Italy
- Leakproof stem - Lifetime Warranty
- Accessories available on pages 197-199

Approvals

- CSA Certified
 - ASME B16.33 (125 PSIG) (1/2" - 2")
 - CGA 3.16 (125 PSIG) (1/4" - 2")
- FM Approval (1/4" - 2")
- MSS SP-110

Valve Seat Rating

1/4" - 3/4" 600 WOG, 1-2" 500 WOG, 2-1/2" - 4" 400 WOG - 150 WSP



Material Specifications

No.	Part	Materials
1	Body	T.E.A. Coated Brass - CW617N
2	End Connection	T.E.A. Coated Brass - CW617N
3	Ball	316 Stainless Steel
4	Seat (2)	Hostaflon® TFM 1600
5	Stem	316 Stainless Steel
6	Packing	Hostaflon® TFM 1600
7	Stem O-ring (2)	Viton®
8	Packing Gland	Nickel Plated Brass - CW614N
9	Handle	Steel - Geomet® Plated
10	Handle Nut	Steel - Geomet® Plated

Dimensions

Part No.	Size	A	B	C	D	CV
100-501	1/4"	1.86	1.41	2.95	0.39	7.66
100-502	3/8"	1.86	1.41	2.95	0.39	7.77
100-503	1/2"	2.45	1.53	2.95	0.59	16.82
100-504	3/4"	2.71	1.95	3.74	0.79	34.80
100-505	1"	3.30	2.40	4.75	0.97	52.20
100-506	1-1/4"	3.80	2.59	4.75	1.23	112.52
100-507	1-1/2"	4.16	3.22	6.00	1.49	174.00
100-508	2"	5.00	3.40	6.00	1.99	255.20
100-509	2 1/2"	6.06	4.60	8.00	2.46	350.32
100-510	3"	7.08	4.90	8.00	2.99	563.76

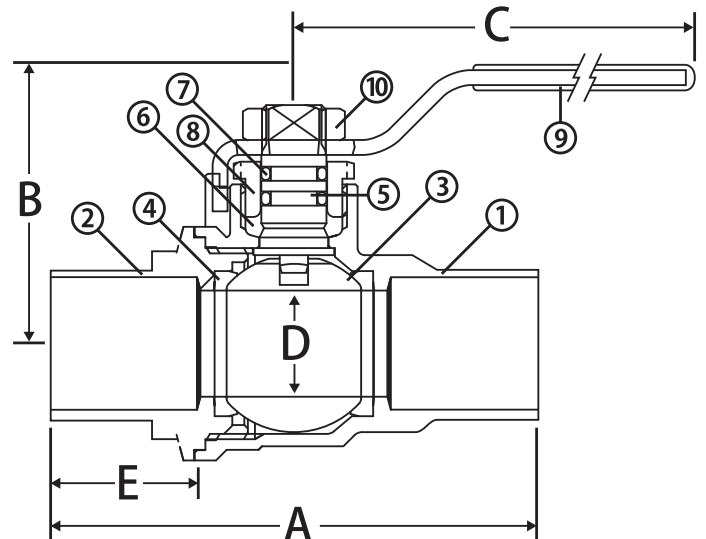
Note: Information subject to change without notice.

Brass Ball Valve

**2 Piece • Full Port • Solder Connection • 600 WOG •
with Stainless Steel Trim**



S-100SSE



Features

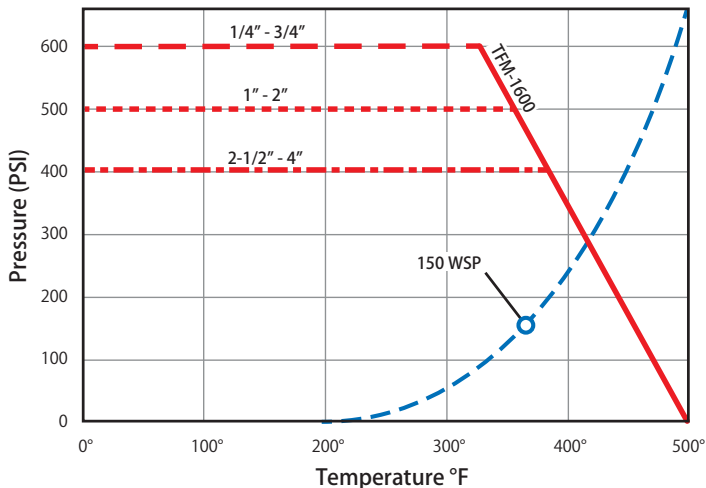
- Blow-out proof stem
- T.E.A. Ternary Eco Alloy® coated body
- Triple sealing stem with 2 Viton® o-rings and Teflon® seal
- 100% leak tested
- Made in Italy
- Leakproof stem - Lifetime Warranty
- Accessories available on pages 197-199

Approvals

- MSS SP-110

Valve Seat Rating

1/4" - 3/4" 600 WOG, 1-2" 500 WOG, 2-1/2" - 4" 400 WOG - 150 WSP



Material Specifications

No.	Part	Materials
1	Body	T.E.A. Coated Brass - CW617N
2	End Connection	T.E.A. Coated Brass - CW617N
3	Ball	316 Stainless Steel
4	Seat (2)	Hostaflon® TFM 1600
5	Stem	316 Stainless Steel
6	Packing	Hostaflon® TFM 1600
7	Stem O-ring (2)	Viton®
8	Packing Gland	Nickel Plated Brass - CW614N
9	Handle	Steel - Geomet® Plated
10	Handle Nut	Steel - Geomet® Plated

Dimensions

Part No.	Size	A	B	C	D	E	CV
100-513	1/2"	2.48	1.56	2.95	0.59	0.51	16.82
100-514	3/4"	3.26	2.05	3.74	0.79	0.76	34.80
100-515	1"	3.94	2.55	4.75	0.97	0.92	52.20
100-516	1-1/4"	4.50	2.66	4.75	1.23	0.98	112.52
100-517	1-1/2"	5.07	3.31	6.00	1.49	1.10	174.00
100-518	2"	6.22	3.60	6.00	1.99	1.34	255.20
100-519	2 1/2"	7.28	4.74	8.00	2.46	1.45	350.32
100-520	3"	8.48	5.05	8.00	2.99	1.63	563.76

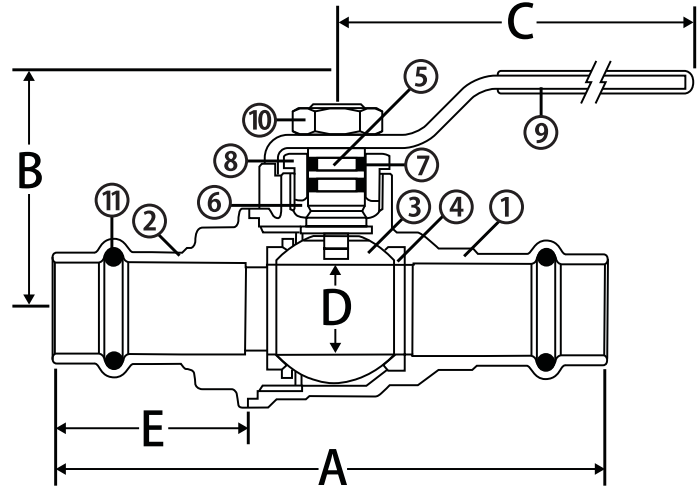
Brass Ball Valve



2 Piece • Full Port • Press Connection • 250 WOG



JP-100PxP



Features

- Triple sealing stem with 2 Viton® o-rings and Teflon® seal
- Blow-out proof stem
- Corrosion resistant brass
- 100% leak tested
- Made in Italy
- Leakproof stem - Lifetime Warranty
- Accessories available on pages 197-199

Approvals

- NSF 61-8 Certified - tested at 140°F (domestic hot water)

Pressure Rating

- 250 WOG
- Temperature rating: max. 250°F

Material Specifications

No.	Part	Materials
1	Body	Brass - CW602N
2	End Connection	Brass - CW602N
3	Ball	T.E.A. Coated Brass - CW617N
4	Seat (2)	Hostaflon® TFM 1600
5	Stem	Brass - CW602N
6	Packing	Hostaflon® TFM 1600
7	Stem O-ring (2)	Viton®
8	Packing Gland	Brass - CW602N
9	Handle	Steel - Geomet® Plated
10	Handle Nut	Steel - Geomet® Plated
11	O-ring (2)	EPDM

Dimensions

Part No.	Size	A	B	C	D	E	CV
100-203	1/2"	3.54	1.53	2.95	0.59	1.24	16.82
100-204	3/4"	3.84	1.95	3.74	0.79	1.28	34.80
100-205	1"	4.31	2.40	4.75	0.97	1.38	52.20
100-206	1-1/4"	4.80	2.59	4.75	1.23	1.30	112.52
100-207	1-1/2"	5.61	3.22	6.00	1.49	1.50	174.00
100-208	2"	7.16	3.40	6.00	1.99	2.01	255.20

Brass Ball Valve

2 Piece • Full Port • Press XLC Connection • 200 WOG



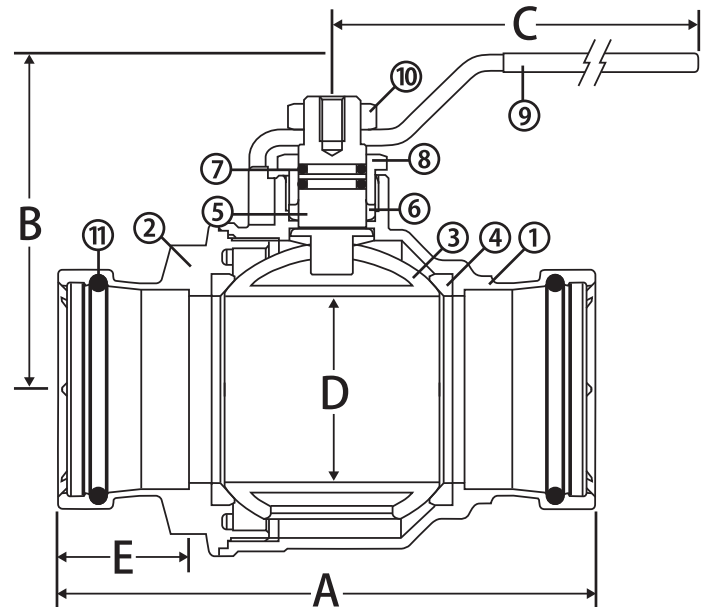
JP-100PxP XLC

Features

- Triple sealing stem with 2 Viton® o-rings and Teflon® seal
- Blow-out proof stem
- Corrosion resistant brass
- 100% leak tested
- Made in Italy
- Leakproof stem - Lifetime Warranty
- Accessories available on pages 197-199

Pressure Rating

- 200 WOG
- Temperature rating: max. 250°F



Material Specifications

No.	Part	Materials
1	Body	Brass - CW602N
2	End Connection	Brass - CW602N
3	Ball	T.E.A. Coated Brass - CW617N
4	Seat (2)	Hostaflo® TFM 1600
5	Stem	Brass - CW602N
6	Packing	Hostaflo® TFM 1600
7	Stem O-ring (2)	Viton®
8	Packing Gland	Brass - CW602N
9	Handle	Steel - Geomet® Plated
10	Handle Nut	Steel - Geomet® Plated
11	O-ring (2)	EPDM

Dimensions

Part No.	Size	A	B	C	D	E	CV
100-209XLC	2 1/2"	7.13	4.72	8.00	2.46	1.75	350.32
100-210XLC	3"	8.49	5.31	8.00	2.99	1.92	563.76
100-211XLC	4"	10.79	5.90	9.88	4.00	2.22	879.28

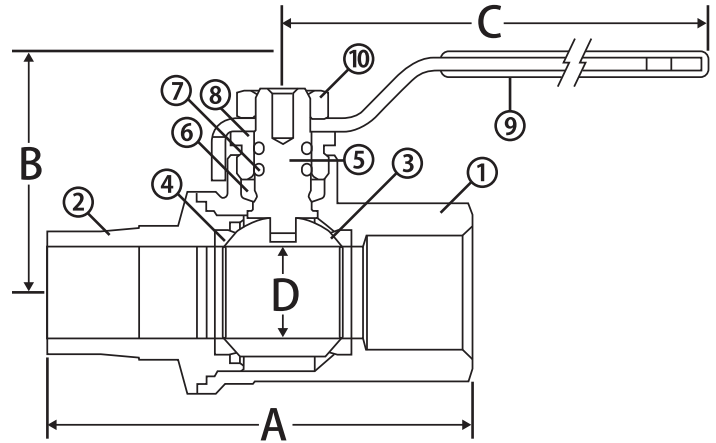
Brass Ball Valve



2 Piece • Full Port • Male x Female Threaded Connection • 600 WOG



T-100FMN



Features

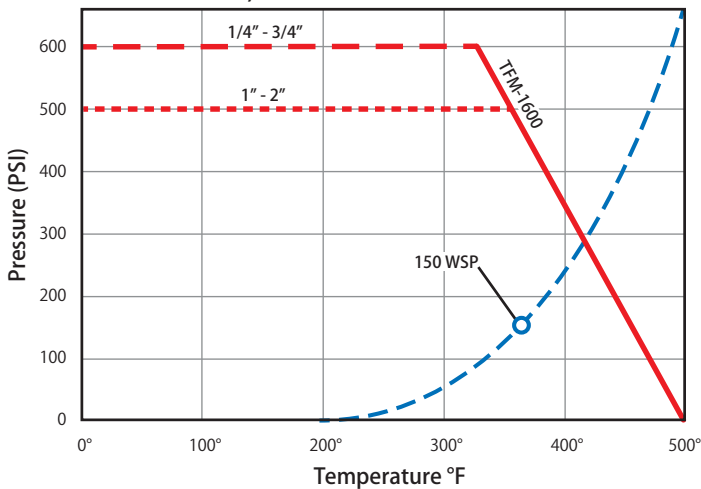
- Blow-out proof stem
- Triple sealing stem with 2 Viton® o-rings and Teflon® seal
- 100% leak tested
- Made in Italy
- Leakproof stem - Lifetime Warranty
- Accessories available on pages 197-199

Approvals

- CSA Certified (1/2" - 1")
 - ASME B16.33 (125 PSIG)
 - CGA 3.16 (125 PSIG)
- MSS SP-110

Valve Seat Rating

1/4" - 3/4" 600 WOG, 1 - 2" 500 WOG - 150 WSP



Material Specifications

No.	Part	Materials
1	Body	Brass - CW617N
2	End Connection	Brass - CW617N
3	Ball	Chrome Plated Brass - CW617N
4	Seat (2)	Hostaflon® TFM 1600
5	Stem	Brass - CW614N
6	Packing	Hostaflon® TFM 1600
7	Stem O-ring (2)	Viton®
8	Packing Gland	Brass - CW614N
9	Handle	Steel - Geomet® Plated
10	Handle Nut	Steel - Geomet® Plated

Dimensions

Part No.	Size	A	B	C	D	CV
100-601	1/4"	2.29	1.41	2.95	0.39	7.66
100-602	3/8"	2.26	1.41	2.95	0.39	7.77
100-603	1/2"	2.75	1.53	2.95	0.59	16.82
100-604	3/4"	3.10	1.95	3.74	0.79	34.80
100-605	1"	3.68	2.40	4.75	0.97	52.20

Brass Ball Valve

2 Piece • Full Port • Male x Solder Connection • 600 WOG



S-100FMN

Features

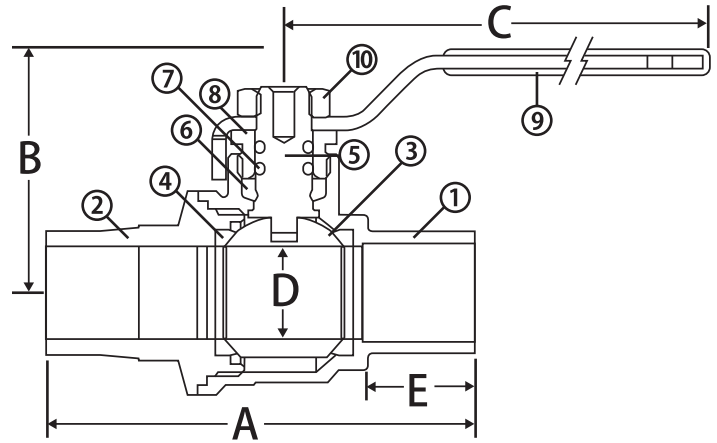
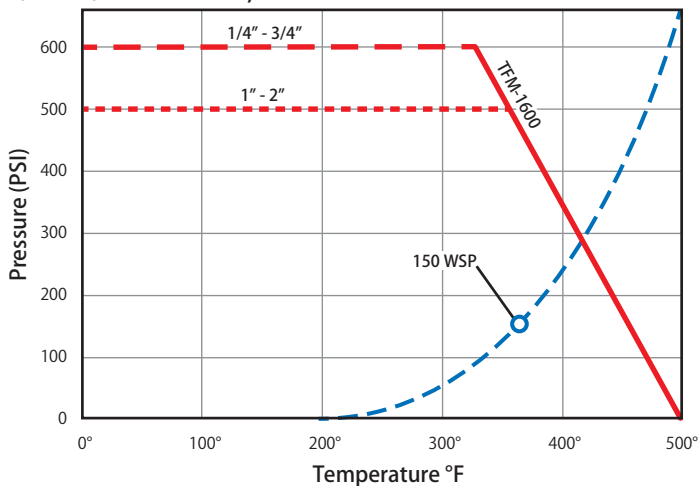
- Blow-out proof stem
- Triple sealing stem with 2 Viton® o-rings and Teflon® seal
- 100% leak tested
- Made in Italy
- Leakproof stem - Lifetime Warranty
- Accessories available on pages 197-199

Approvals

- MSS SP-110

Valve Seat Rating

1/4" - 3/4" 600 WOG, 1 - 2" 500 WOG - 150 WSP



Material Specifications

No.	Part	Materials
1	Body	Brass - CW617N
2	End Connection	Brass - CW617N
3	Ball	Chrome Plated Brass - CW617N
4	Seat (2)	Hostafion® TFM 1600
5	Stem	Brass - CW614N
6	Packing	Hostafion® TFM 1600
7	Stem O-ring (2)	Viton®
8	Packing Gland	Brass - CW614N
9	Handle	Steel - Geomet® Plated
10	Handle Nut	Steel - Geomet® Plated

Dimensions

Part No.	Size	A	B	C	D	E	CV
100-613	1/2"	2.76	1.53	2.95	0.59	0.51	16.82
100-614	3/4"	3.37	1.95	3.74	0.79	0.76	34.80
100-615	1"	4.02	2.40	4.75	0.97	0.92	52.20

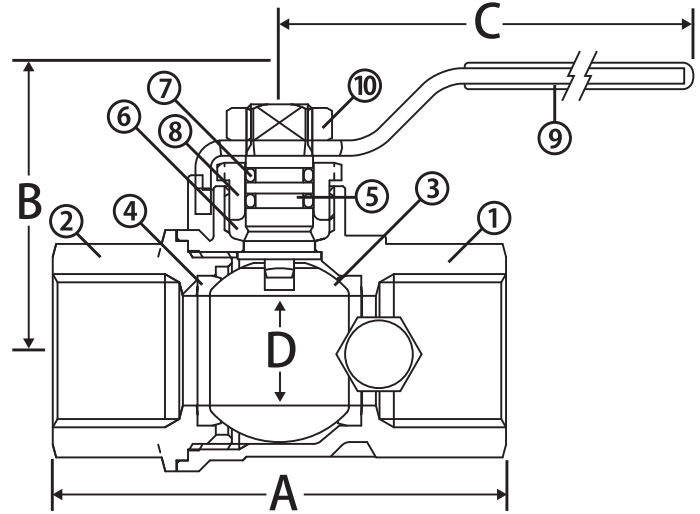
Brass Ball Valve



2 Piece • Full Port • Threaded Connection • 600 WOG • with Side Tap



T-100STN



Features

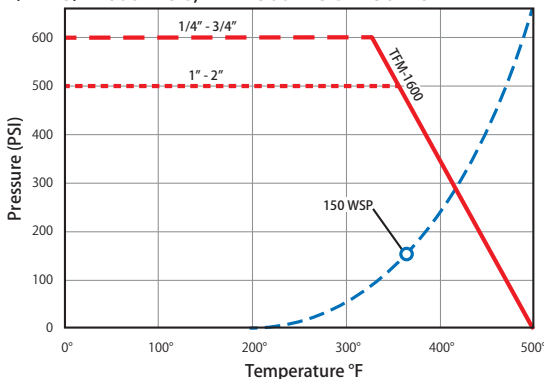
- Blow-out proof stem
- Triple sealing stem with 2 Viton® o-rings and Teflon® seal
- 3/8" - 1" have 1/8" FIP side tap
- 1-1/4" - 2" have 1/4" FIP side tap
- 100% leak tested
- Made in Italy
- Leakproof stem - Lifetime Warranty
- Accessories available on pages 197-199

Approvals

- UL Listed (3/8" - 2")
 - MHKZ - Manual valves
 - YQNZ - Compressed gas shut-off valves
 - YRBX - Flammable liquid shut-off valves
 - YRPV - Gas shut-off valves
 - YSDT - LP gas shut-off valves
 - SFJQ - Valves, refrigerant
- CSA Certified
 - ANSI Z21.15 (.5 PSIG) (3/8" - 2")
 - ASME B16.33 (125 PSIG) (1/2" - 2")
 - CGA 3.16 (125 PSIG) (3/8" - 2")
 - CGA 9.2 (3/8" - 2")

Valve Seat Rating

1/4" - 3/4" 600 WOG, 1 - 2" 500 WOG - 150 WSP



Material Specifications

No.	Part	Materials
1	Body	Brass - CW617N
2	End Connection	Brass - CW617N
3	Ball	Chrome Plated Brass - CW617N
4	Seat (2)	Hostafion® TFM 1600
5	Stem	Brass - CW614N
6	Packing	Hostafion® TFM 1600
7	Stem O-ring (2)	Viton®
8	Packing Gland	Brass - CW614N
9	Handle	Steel - Geomet® Plated
10	Handle Nut	Steel - Geomet® Plated
11	Flat Washer*	Buna-N
12	Cap*	Brass - CW614N

*Not shown in drawing

Dimensions

Part No.	Size	A	B	C	D	CV
170-102	3/8"	2.02	1.41	2.95	0.39	7.77
170-103	1/2"	2.48	1.53	2.95	0.59	16.82
170-104	3/4"	2.76	1.95	3.74	0.79	34.80
170-105	1"	2.81	2.40	4.75	0.97	52.20
170-106	1-1/4"	4.03	2.59	4.75	1.23	112.52
170-107	1-1/2"	4.72	3.22	6.00	1.49	174.00
170-108	2"	5.23	3.40	6.00	1.99	255.20

Note: Information subject to change without notice.

Brass Ball Valve

**2 Piece • Full Port • Solder Connection • 600 WOG •
with Side Tap**



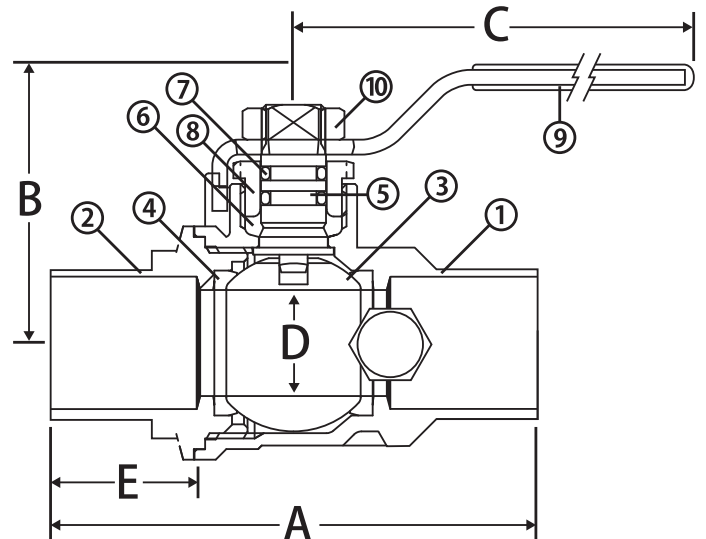
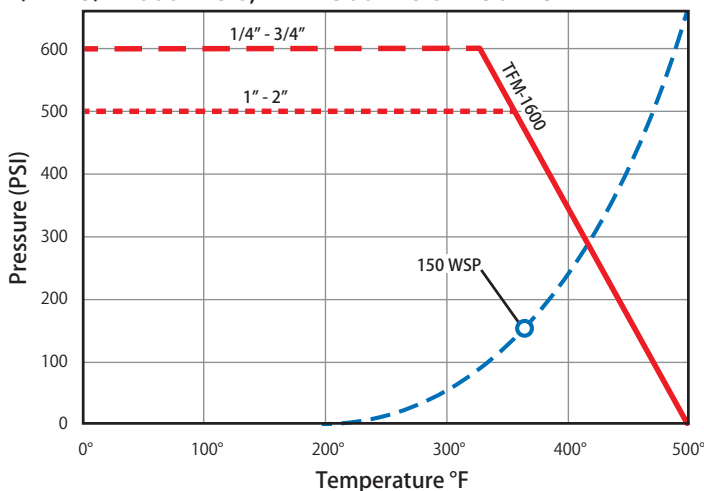
S-100STN

Features

- Blow-out proof stem
- Triple sealing stem with 2 Viton® o-rings and Teflon® seal
- Ice maker valve
- 1/8" side tap
- 100% leak tested
- Made in Italy
- Leakproof stem - Lifetime Warranty
- Accessories available on pages 197-199

Valve Seat Rating

1/4" - 3/4" 600 WOG, 1 - 2" 500 WOG - 150 WSP



Material Specifications

No.	Part	Materials
1	Body	Brass - CW617N
2	End Connection	Brass - CW617N
3	Ball	Chrome Plated Brass - CW617N
4	Seat (2)	Hostafion® TFM 1600
5	Stem	Brass - CW614N
6	Packing	Hostafion® TFM 1600
7	Stem O-ring (2)	Viton®
8	Packing Gland	Brass - CW614N
9	Handle	Steel - Geomet® Plated
10	Handle Nut	Steel - Geomet® Plated
11	Flat Washer*	Buna-N
12	Cap *	Brass - CW614N

*Not shown in drawing

Dimensions

Part No.	Size	A	B	C	D	E	CV
100-823	1/2"	2.48	1.56	2.95	0.59	0.51	16.82
100-824	3/4"	3.26	2.05	3.74	0.79	0.76	34.80
100-825	1"	3.94	2.55	4.75	0.97	0.92	52.20

Brass Ball Valve



2 Piece • Full Port • Threaded Connection • 600 WOG • with Steam Trim



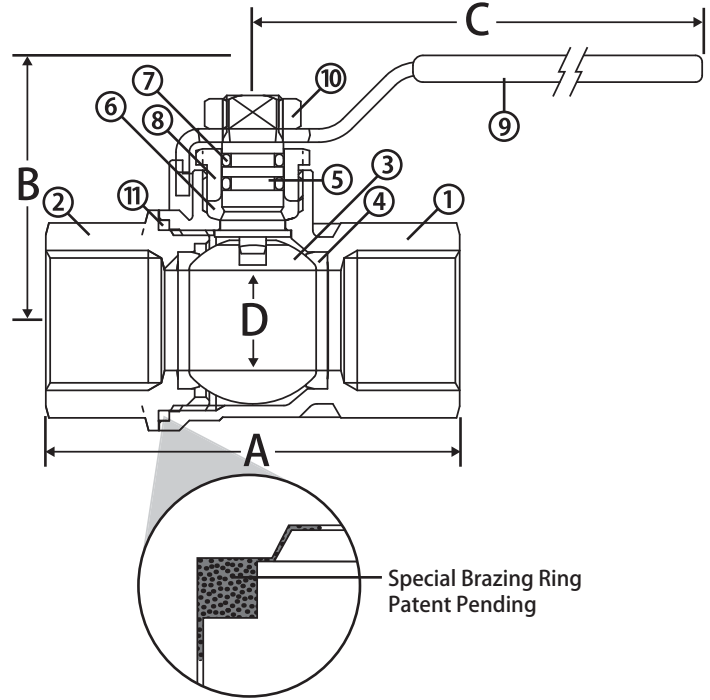
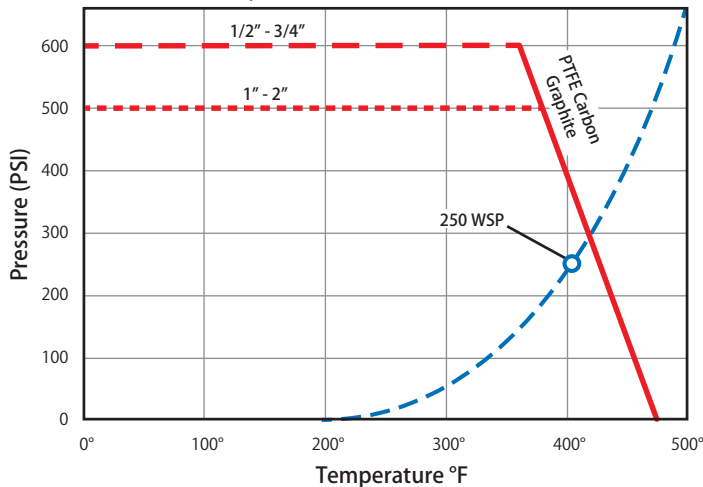
T-100SSS

Features

- Triple sealing stem with 2 Viton® o-rings and Teflon® seal
- Blow-out proof stem
- 250 WSP rating
- Patent pending design
- Special high temperature resistant handle
- 100% leak tested
- Made in Italy
- Leakproof stem - Lifetime Warranty
- Accessories available on pages 197-199

Valve Seat Rating

1/2" - 3/4" 600 WOG, 1" - 2" 500 WOG - 250 WSP



Material Specifications

No.	Part	Materials
1	Body	Brass - CW617N
2	End Connection	Brass - CW617N
3	Ball	316 Stainless Steel
4	Seat (2)	PTFE Carbon Graphite
5	Stem	316 Stainless Steel
6	Packing	PTFE Carbon Graphite
7	Stem O-ring (2)	Viton®
8	Packing Gland	Brass - CW614N
9	Handle	Steel - Red Coated
10	Handle Nut	316 Stainless Steel
11	Brazing Ring	BrazeTec Soldamoll

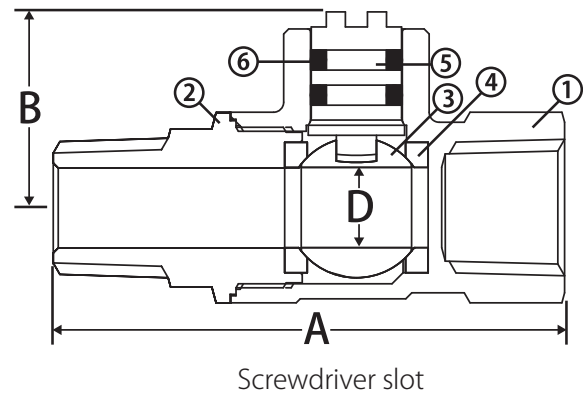
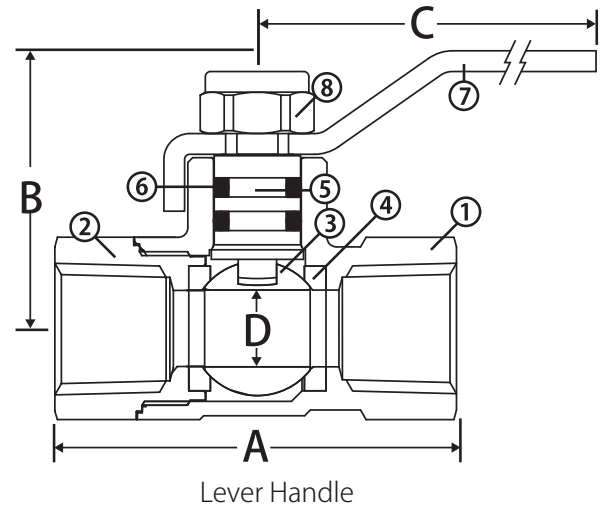
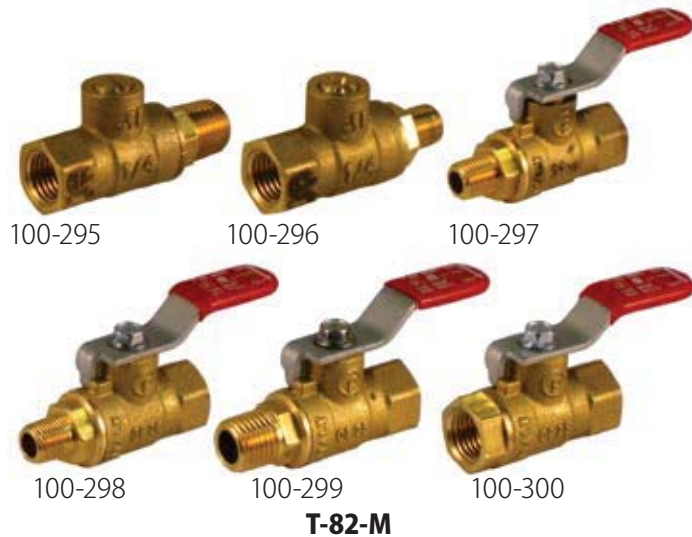
Dimensions

Part No.	Size	A	B	C	D	CV
100-533	1/2"	2.45	1.53	2.95	0.59	16.82
100-534	3/4"	2.71	1.95	3.74	0.79	34.80
100-535	1"	3.30	2.40	4.75	0.97	52.20
100-536	1-1/4"	3.80	2.59	4.75	1.23	112.52
100-537	1-1/2"	4.16	3.22	6.00	1.49	174.00
100-538	2"	5.00	3.40	6.00	1.99	255.20

Note: Information subject to change without notice.

Brass Ball Valve

2 Piece • Full Port • Threaded Connection • Mini Valves • 600 WOG



Features

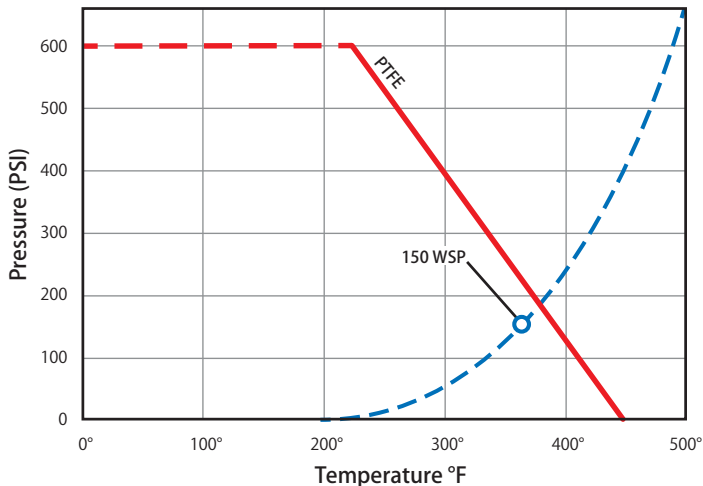
- Greater flow rate
- Blow-out-proof stem
- Prevents stem leakage
- 2 Viton® o-rings
- Large raised wrench flats
- 100% leak tested
- Made in Italy
- Leakproof stem - Lifetime Warranty

Approvals

- CSA Certified
 - ANSI Z21.15 (.5 PSIG) (1/4" - 2")
- MSS SP-110

Valve Seat Rating

600 WOG - 150 WSP



Material Specifications

No.	Part	Materials
1	Body	Brass - CW617N
2	End Connection	Brass - CW617N
3	Ball	Chrome Plated Brass - CW617N
4	Seat (2)	PTFE
5	Stem	Brass - CW614N
6	Stem O-ring (2)	Viton®
7	Handle*	Steel - Geomet® Plated
8	Handle screw*	Steel - Geomet® Plated

* Lever Handle Only

Dimensions

Part No.	Size	A	B	C	D
100-295	1/4" FIP x 1/4" MIP*	2.01	0.77	-	0.31
100-296	1/4" FIP x 1/8" MIP*	1.96	0.77	-	0.31
100-297	1/8" FIP x 1/8" MIP	1.96	1.14	1.69	0.31
100-298	1/4" FIP x 1/8" MIP	1.96	1.14	1.69	0.31
100-299	1/4" FIP x 1/4" MIP	2.01	1.14	1.69	0.31
100-300	1/4" FIP x 1/4" FIP	1.65	1.14	1.69	0.31

* Mini screwdriver slot handle

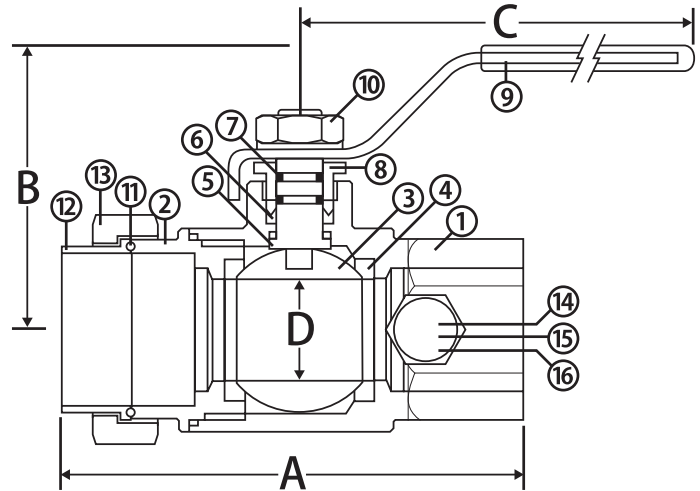
Brass Ball Valve



**2 Piece • Full Port • Single Union End • Threaded Connection •
600 WOG • with Side Tap**



T-100-UE



Features

- FIP x union FIP
- 3/8" - 1" have 1/8" FIP side tap
- 1-1/4" - 2" have 1/4" FIP side tap
- Triple sealing stem with 2 Viton® o-rings and Teflon® seal
- Blow-out proof stem
- 100% leak tested
- Made in Italy
- Leakproof stem - Lifetime Warranty
- Accessories available on pages 197-199

Approvals

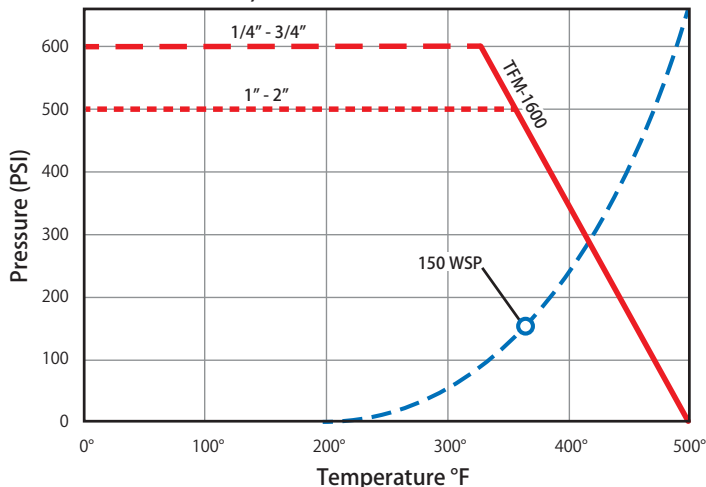
- CSA Certified (3/8" - 2")
 - ANSI Z21.15 (.5 PSIG) (3/8" - 2")
 - ASME B16.33 (125 PSIG) (1/2" - 2")
 - CGA 3.16 (125 PSIG) (3/8" - 2")
 - CGA 9.2 (3/8" - 2")
- MSS SP-110

Material Specifications

No.	Part	Materials
1	Body	Brass - CW617N
2	End Connection	Brass - CW617N
3	Ball	Chrome Plated Brass - CW617N
4	Seat (2)	Hostaflon® TFM 1600
5	Stem	Brass - CW614N
6	Packing	Hostaflon® TFM 1600
7	Stem O-ring (2)	Viton®
8	Packing Gland	Brass - CW614N
9	Handle	Steel - Geomet® Plated
10	Handle Nut	Steel - Geomet® Plated
11	Union O-ring	Viton®
12	Tail Piece	Brass - CW617N
13	Union Nut	Brass - CW617N
14	Side Tap Plug	Brass - CW614N
15	Side Tap Washer	Buna-N
16	Side Tap Cap	Brass - CW614N

Valve Seat Rating

1/4" - 3/4" 600 WOG, 1 - 2" 500 WOG - 150 WSP



Dimensions

Part No.	Size	A	B	C	D	CV
160-102	3/8"	2.93	1.41	2.95	0.39	7.77
160-103	1/2"	3.17	1.53	2.95	0.59	16.82
160-104	3/4"	3.52	1.88	3.74	0.79	34.80
160-105	1"	4.19	2.36	4.75	0.97	52.20
160-106	1-1/4"	5.01	2.59	4.75	1.23	112.52
160-107	1-1/2"	5.57	3.22	6.00	1.49	174.00
160-108	2"	6.31	3.50	6.00	1.99	255.20

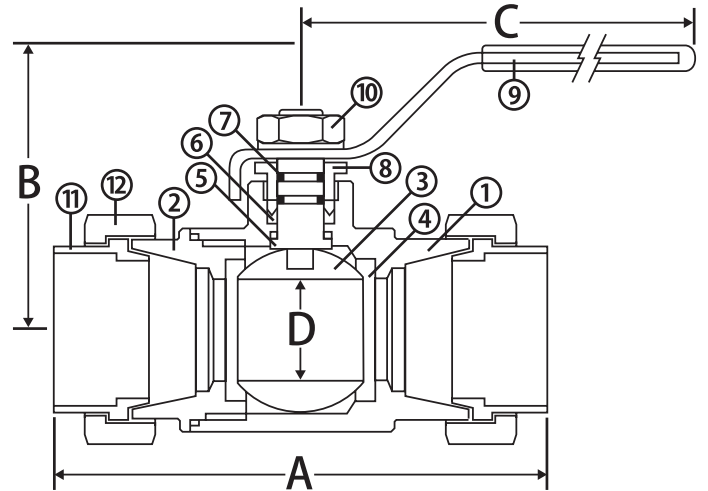
Note: Information subject to change without notice.

Brass Ball Valve

2 Piece • Full Port • Double Union End • Solder Connection • 600 WOG



S-100-DUE

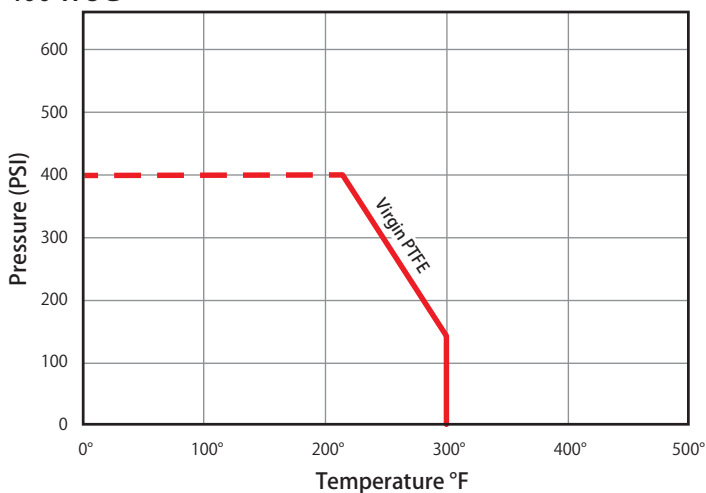


Features

- Unions on inlet and outlet
- Triple sealing stem with 2 Viton® o-rings and Teflon® seal
- Blow-out proof stem
- Corrosion resistant brass
- 100% leak tested
- Made in Italy
- Leakproof stem - Lifetime Warranty
- Accessories available on pages 197-199

Valve Seat Rating

400 WOG



Material Specifications

No.	Part	Materials
1	Body	Brass - CW602N
2	End Connection	Brass - CW602N
3	Ball	Chrome Plated Brass - CW617N
4	Seat (2)	Virgin PTFE
5	Stem	Brass - CW602N
6	Packing	Virgin PTFE
7	Stem O-ring (2)	Viton®
8	Packing Gland	Brass - CW602N
9	Handle	Steel - Geomet® Plated
10	Handle Nut	Steel - Geomet® Plated
11	Tail Piece (2)	Brass - CW602N
12	Union Nut (2)	Brass - CW602N

Dimensions

Part No.	Size	A	B	C	D	CV
160-503	1/2"	3.58	1.53	2.95	0.59	16.82
160-504	3/4"	3.93	1.92	3.74	0.79	34.80
160-505	1"	4.72	2.40	4.75	0.97	52.20
160-506	1-1/4"	5.27	2.60	4.75	1.23	112.52
160-507	1-1/2"	5.74	3.22	6.00	1.49	174.00
160-508	2"	6.33	3.50	6.00	1.99	255.20

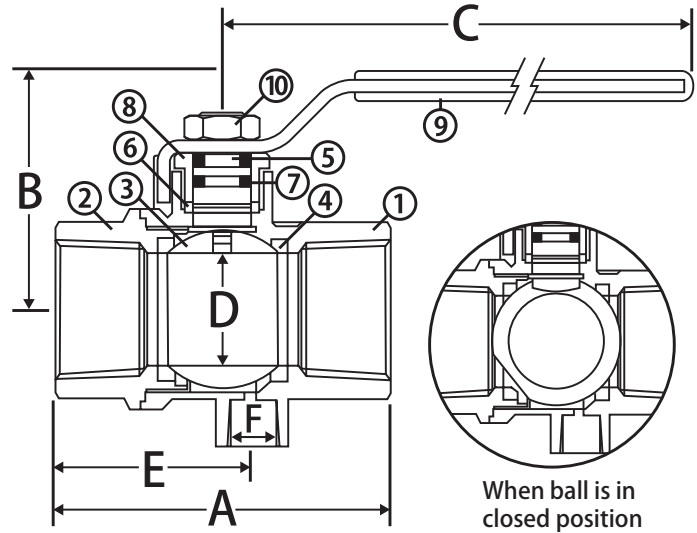
Brass Ball Valve



**2 Piece • Full Port • Threaded Connection • 600 WOG •
with Automatic Vent**



T-100P-SS-WS



Features

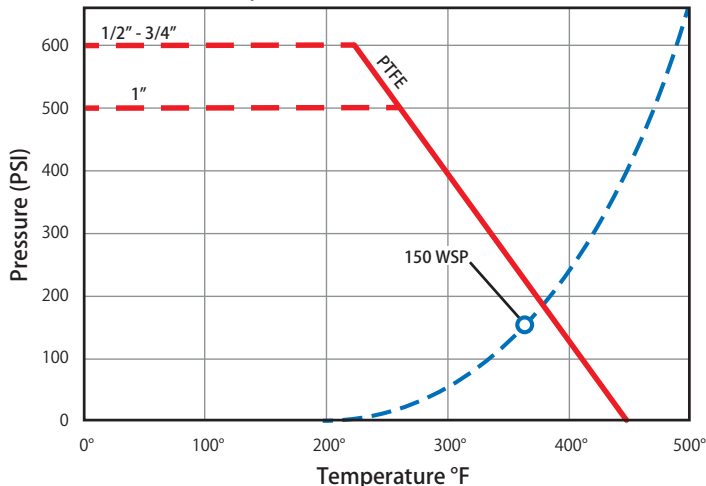
- Quiet operation
- Raised boss to accept NPT threaded muffler
- Muffler available cone or flat
- Automatic downstream venting in closed position
- Reduces compressed air noise to OSHA levels
- 2 Viton® o-rings prevent stem leakage
- 100% leak tested
- Made in Italy
- Leakproof stem - Lifetime Warranty
- Accessories available on pages 197-199

Approvals

- Meets/exceeds OSHA 1910.95 for noise attenuation and air dispersal
- MSS SP-110

Valve Seat Rating

1/2" - 3/4" 600 WOG, 1" 500 WOG - 150 WSP



Material Specifications

No.	Part	Materials
1	Body	T.E.A. Coated Brass - CW617N
2	End Connection	T.E.A. Coated Brass - CW617N
3	Ball	316 Stainless Steel
4	Seat (2)	Hostaflon® TFM 1600
5	Stem	316 Stainless Steel
6	Packing	Hostaflon® TFM 1600
7	Stem O-ring (2)	Viton®
8	Packing Gland	Nickel Plated Brass - CW614N
9	Handle	Steel - Geomet® Plated
10	Handle Nut	Steel - Geomet® Plated

Dimensions

Part No.	Size	A	B	C	D	E	F
100-923	1/2"	2.44	1.53	2.95	0.59	1.22	0.125
100-924	3/4"	2.71	1.88	3.74	0.79	1.36	0.125
100-925	1"	3.30	2.36	4.72	1.00	1.65	0.125

Filterball

Full Port • Threaded Connections • 400 WOG • with Integrated Strainer



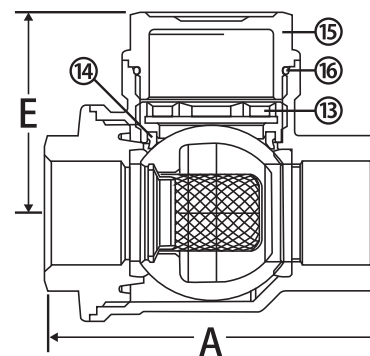
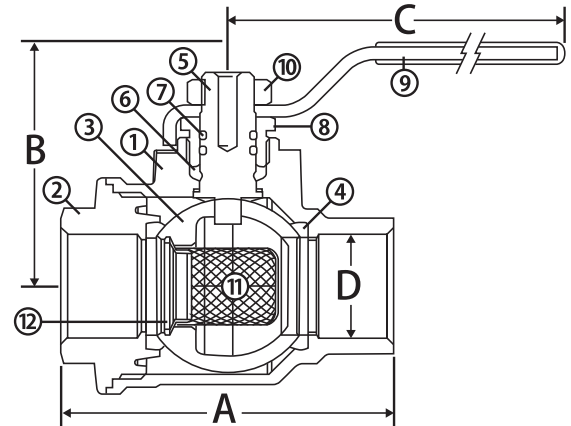
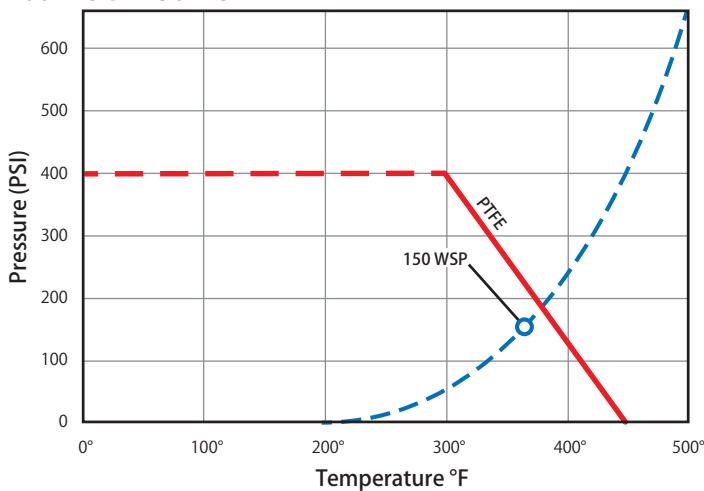
T-100FB

Features

- Shipped standard with 304 SS 20 mesh screen
 - Available mesh screens: 40, 60, 80, 100
- Triple sealing stem with 2 Viton® o-rings and Teflon® seal
- Blow-out proof stem
- Corrosion resistant brass
- Reversible handle
- 100% leak tested
- Made in Italy
- Leakproof stem - Lifetime Warranty
- Accessories available on pages 197-199

Valve Seat Rating

400 WOG - 150 WSP



Material Specifications

No.	Part	Materials
1	Body	Brass - CW602N
2	End Connection	Brass - CW602N
3	Ball	Chrome Plated Brass - CW602N
4	Seat (2)	Virgin PTFE
5	Stem	Brass - CW602N
6	Packing	Virgin PTFE
7	Stem O-ring (2)	Viton®
8	Packing Gland	Brass - CW614N
9	Handle	Steel - Geomet® Plated
10	Handle Nut	Steel - Geomet® Plated
11	Filter Basket	304 Stainless Steel
12	C-Clip Retainer	304 Stainless Steel
13	Body insert*	Brass - CW602N
14	Auxiliary Seat*	Virgin PTFE
15	Cap	Brass - CW602N
16	O-ring	Viton®

*Not on 1/2" valve

Dimensions

Part No.	Size	A	B	C	D	E	CV
100-833	1/2"	2.73	2.20	3.74	0.69	1.47	8.12
100-834	3/4"	3.03	2.40	4.72	0.89	1.73	8.70
100-835	1"	3.74	2.60	4.72	1.12	2.01	16.8
100-836	1-1/4"	4.73	3.23	5.91	1.40	2.36	23.2
100-837	1-1/2"	5.00	3.50	5.91	1.77	2.91	36.0
100-838	2"	6.06	4.72	7.87	2.20	3.54	69.6

Brass Ball Valve



3 Piece 4 Bolt • Full Port • Threaded Connection • 600 WOG



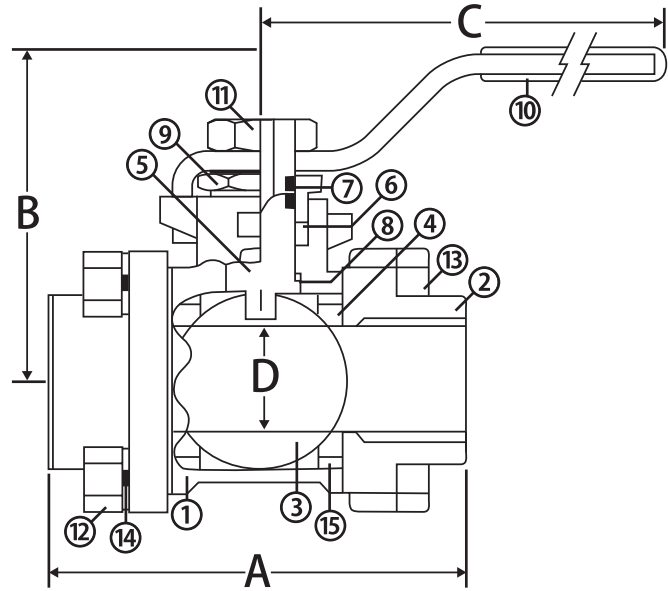
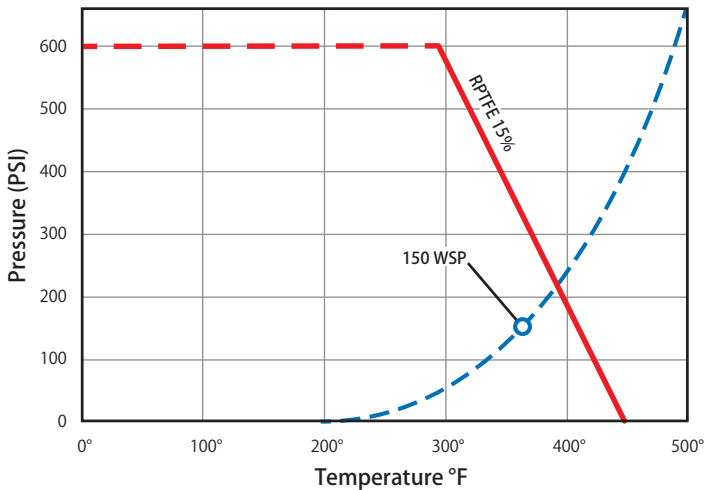
T-600-4B

Features

- Latch lock handle standard
- 3 piece swing out body
- 100% leak tested

Valve Seat Rating

600 WOG - 150 WSP



Material Specifications

No.	Part	Materials
1	Body	Brass - C37000
2	End Cap (2)	Brass - C37000
3	Ball	Chrome Plated Brass - C3600
4	Seat (2)	RPTFE - 15%
5	Stem	Brass - C3600
6	Packing	RPTFE - 15%
7	Body O-Ring (2)	Viton®
8	Stem Seal	RPTFE - 15%
9	Packing Gland	Brass - C3600
10	Handle	Steel - Nickel Plated
11	Handle Nut	Steel - Nickel Plated
12	Body Bolt (4)	Steel - Nickel Plated
13	Body Nut (4)	Steel - Nickel Plated
14	Lock Washer (8)	Steel - Nickel Plated
15	Body Seal	RPTFE - 15%

Dimensions

Part No.	Size	A	B	C	D
500-603	1/2"	2.62	1.81	2.87	0.59
500-604	3/4"	2.93	2.40	4.67	0.79
500-605	1"	3.44	2.52	4.67	0.99
500-606	1-1/4"	3.96	3.11	5.86	1.26
500-607	1-1/2"	4.43	3.27	5.86	1.50
500-608	2"	5.55	3.62	7.87	1.97

Note: Information subject to change without notice.

Brass Ball Valve

3 Piece 4 Bolt • Full Port • Solder Connection • 600 WOG



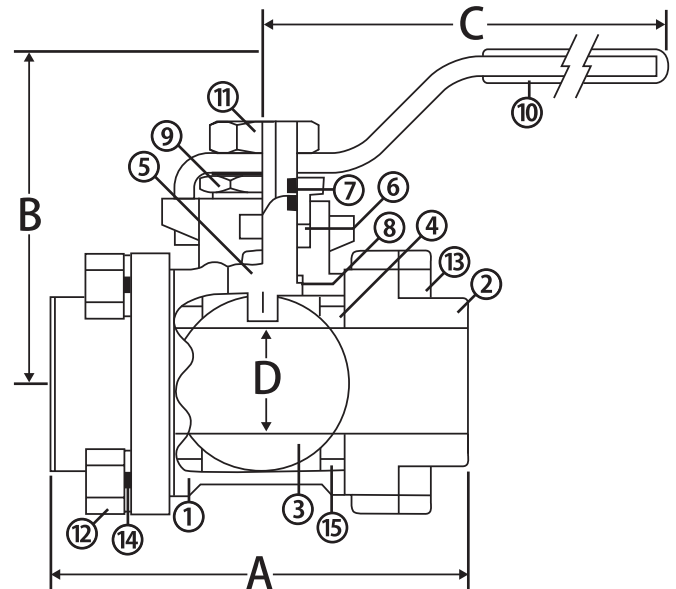
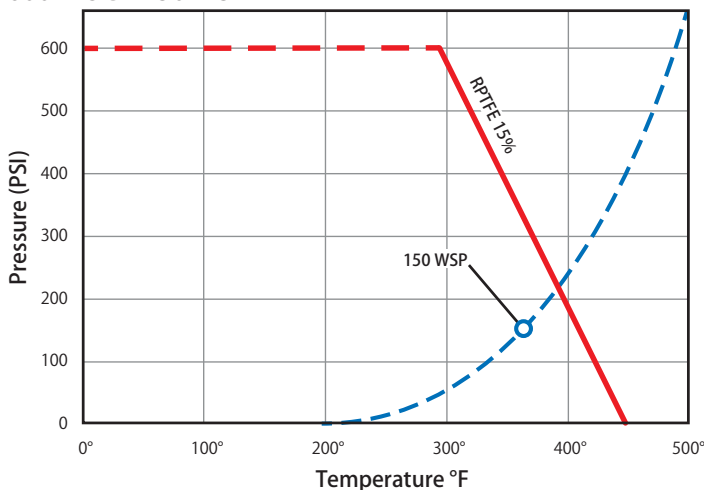
S-600-4B

Features

- Latch lock handle standard
- 3 piece swing out body
- Body should be swung out during soldering process
- 100% leak tested

Valve Seat Rating

600 WOG - 150 WSP



Material Specifications

No.	Part	Materials
1	Body	Brass - C37000
2	End Cap (2)	Brass - C37000
3	Ball	Chrome Plated Brass - C3600
4	Seat (2)	RPTFE - 15%
5	Stem	Brass - C3600
6	Packing	RPTFE - 15%
7	Body O-Ring (2)	Viton®
8	Stem Seal	RPTFE - 15%
9	Packing Gland	Brass - C3600
10	Handle	Steel - Nickel Plated
11	Handle Nut	Steel - Nickel Plated
12	Body Bolt (4)	Steel - Nickel Plated
13	Body Nut (4)	Steel - Nickel Plated
14	Lock Washer (8)	Steel - Nickel Plated
15	Body Seal	RPTFE - 15%

Dimensions

Part No.	Size	A	B	C	D
500-613	1/2"	2.62	1.81	2.87	0.59
500-614	3/4"	2.93	2.40	4.67	0.79
500-615	1"	3.44	2.52	4.67	0.99
500-616	1-1/4"	3.96	3.11	5.86	1.26
500-617	1-1/2"	4.43	3.27	5.86	1.50
500-618	2"	5.55	3.62	7.87	1.97

Brass Ball Valve

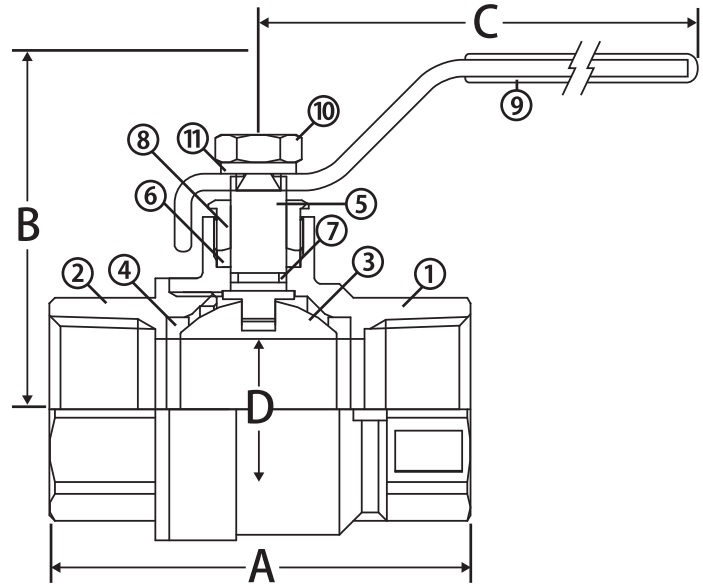


2 Piece • Full Port • Threaded Connection • 600 WOG



JF-100T

CRN# OC14486.5



Features

- Gland follower and single o-ring stem design
- Blow-out proof stem
- 100% leak tested

Approvals

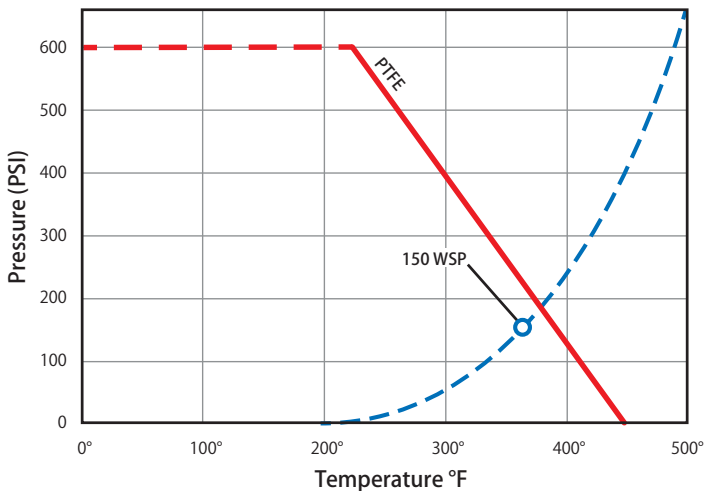
- UL Listed up to 175 PSI (1/4" - 2")
 - MHKZ - Manual valves
 - YRPV - Gas shut-off valves
- CSA Certified
 - CGA 3.16 (125 PSIG)
 - ANSI Z21.15 (.5 PSIG)
 - CGA CR91 (5 PSIG)
 - ASME B16.44 (5 PSIG)
 - ASME B16.33 (125PSIG) (1/2" - 2")
 - ASME B16.38 (2-1/2" - 4")
- FM Approval (1/4" - 2")

Material Specifications

No.	Part	Materials
1	Body	Brass - C37700
2	End Connection	Brass - C37700
3	Ball	Chrome Plated Brass - C37700
4	Seat (2)	PTFE
5	Stem	Brass - C37700
6	Packing	PTFE
7	Stem O-ring	Buna-N
8	Packing Gland	Brass - C37700
9	Handle	Steel - Chrome Plated
10	Handle Nut	Steel - Chrome Plated
11	Lock Washer	Steel - Chrome Plated

Valve Seat Rating

600 WOG - 150 WSP



Dimensions

Part No.	Size	A	B	C	D
100-101	1/4"	1.73	1.69	3.35	0.39
100-102	3/8"	1.73	1.69	3.35	0.39
100-103	1/2"	2.28	1.81	3.35	0.59
100-104	3/4"	2.52	2.36	4.29	0.75
100-105	1"	2.97	2.52	4.29	0.98
100-106	1-1/4"	3.44	2.52	5.63	1.26
100-107	1-1/2"	3.88	2.72	5.63	1.57
100-108	2"	4.29	3.03	5.63	1.97
100-109	2 1/2"	5.59	4.25	7.76	2.52
100-110	3"	6.34	4.92	8.37	2.95
100-111	4"	7.83	5.85	9.25	3.90

Note: Information subject to change without notice.

Brass Ball Valve

2 Piece • Full Port • Solder Connection • 600 WOG



JF-100S

CRN# OC14486.5

Features

- Gland follower and single o-ring stem design
- 100% leak tested

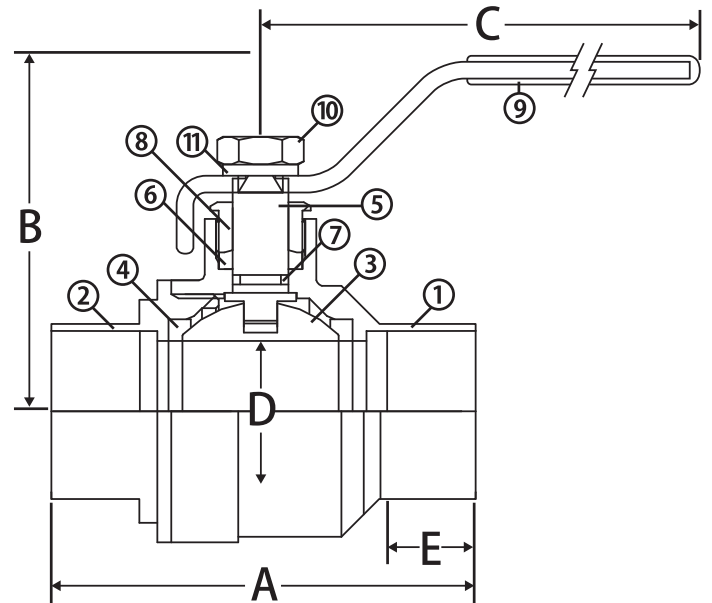
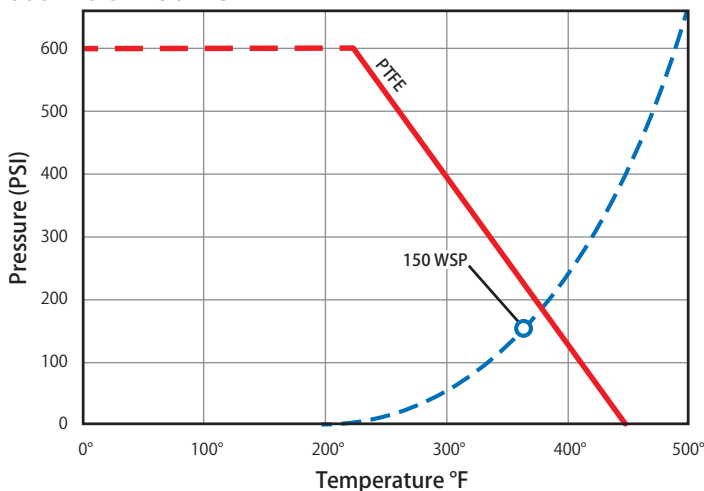
Approvals



- UL Listed up to 175 PSI (1/2" - 2")
 - MHKZ - Manual valves
 - YRPV - Gas shut-off valves
- FM Approval (1/2" - 2")

Valve Seat Rating

600 WOG - 150 WSP



Material Specifications

No.	Part	Materials
1	Body	Brass - C37700
2	End Connection	Brass - C37700
3	Ball	Chrome Plated Brass - C37700
4	Seat (2)	PTFE
5	Stem	Brass - C37700
6	Packing	PTFE
7	Stem O-ring	Buna-N
8	Packing Gland	Brass - C37700
9	Handle	Steel - Chrome Plated
10	Handle Nut	Steel - Chrome Plated
11	Lock Washer	Steel - Chrome Plated

Dimensions

Part No.	Size	A	B	C	D	E
100-113	1/2"	2.17	1.81	3.35	0.59	0.50
100-114	3/4"	2.80	2.36	4.29	0.75	0.75
100-115	1"	3.27	2.52	4.29	0.98	0.86
100-116	1-1/4"	4.10	2.52	5.63	1.26	1.08
100-117	1-1/2"	4.33	2.72	5.63	1.57	0.98
100-118	2"	5.34	3.03	5.63	1.97	1.21
100-119	2 1/2"	6.39	4.25	7.76	2.52	1.48
100-120	3"	7.10	4.92	8.37	2.95	1.66
100-121	4"	9.56	5.85	9.25	3.90	2.22

Brass Ball Valve



**2 Piece • Full Port • Threaded Connection • 600 WOG •
with Latch Lock Handle**



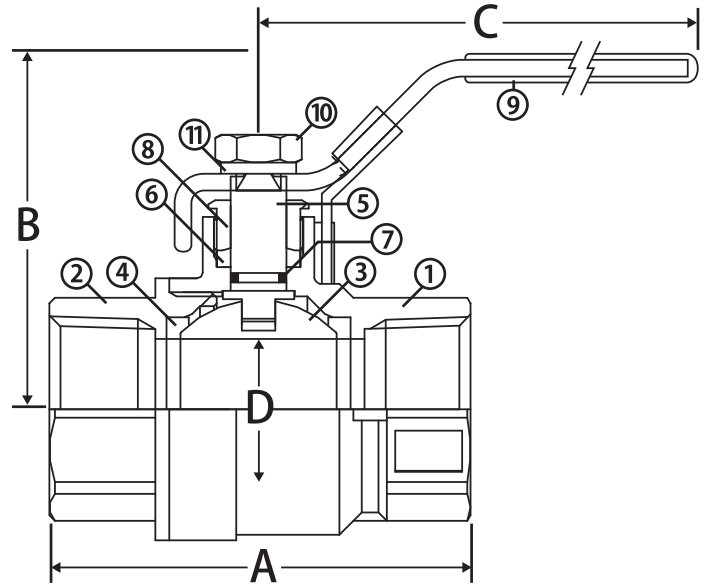
JF-100T-LH

Features

- Gland follower and single o-ring stem design
- Latch lock handle
- Blow-out proof stem
- 100% leak tested

Approvals

- UL Listed up to 175 PSI (1/4" - 2")
 - MHKZ - Manual valves
 - YRPV - Gas shut-off valves
- CSA Certified
 - CGA 3.16 (125 PSIG)
 - ANSI Z21.15 (.5 PSIG)
 - CGA CR91 (5 PSIG)
 - ASME B16.44 (5 PSIG)
- FM Approval (1/4" - 2")
- MSS SP-110



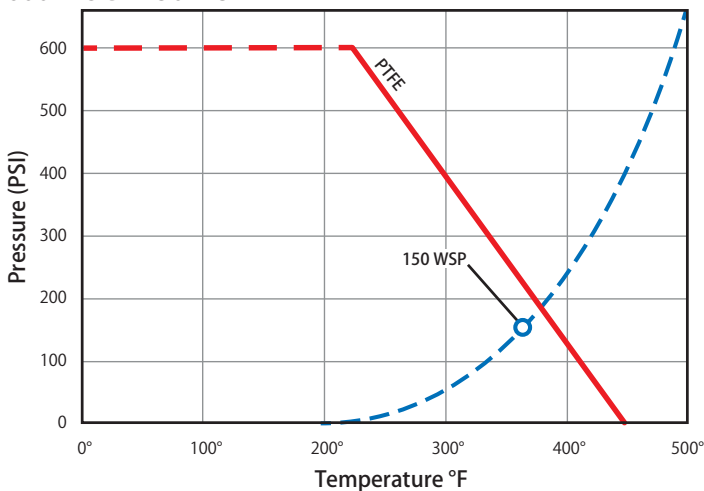
Material Specifications

No.	Part	Materials
1	Body	Brass - C37700
2	End Connection	Brass - C37700
3	Ball	Chrome Plated Brass - C37700
4	Seat (2)	PTFE
5	Stem	Brass - C37700
6	Packing	PTFE
7	Stem O-ring	Buna-N
8	Packing Gland	Brass - C37700
9	Handle	Steel - Chrome Plated
10	Handle Nut	Steel - Chrome Plated
11	Lock Washer	Steel - Chrome Plated

Dimensions

Part No.	Size	A	B	C	D
100-101LH	1/4"	1.73	2.63	4.06	0.39
100-102LH	3/8"	1.73	2.63	4.06	0.39
100-103LH	1/2"	2.28	2.69	4.06	0.59
100-104LH	3/4"	2.52	2.91	4.86	0.75
100-105LH	1"	2.97	3.22	4.86	0.98
100-106LH	1-1/4"	3.44	3.45	5.59	1.26
100-107LH	1-1/2"	3.88	3.59	5.59	1.57
100-108LH	2"	4.29	3.97	5.59	1.97
100-109LH	2-1/2"	5.59	4.88	7.35	2.52
100-110LH	3"	6.34	5.25	7.35	2.95

Valve Seat Rating 600 WOG - 150 WSP



Note: Information subject to change without notice.

Brass Ball Valve

**2 Piece • Full Port • Solder Connection • 600 WOG •
with Latch Lock Handle**



JF-100S-LH

Features

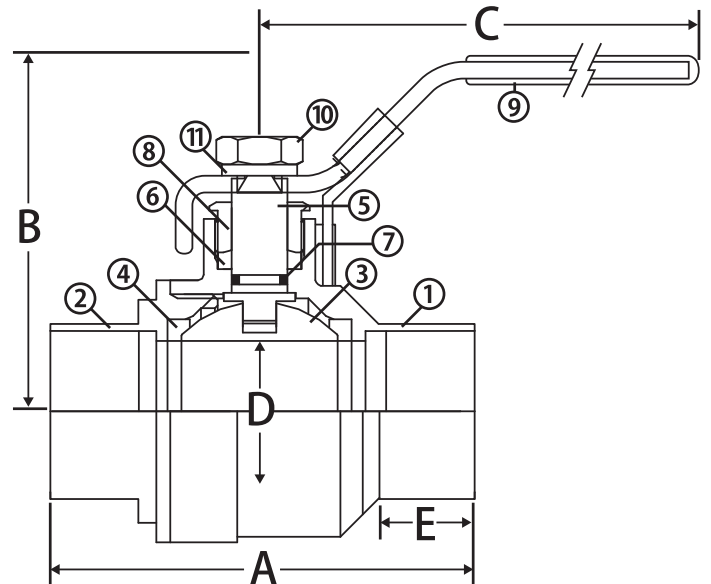
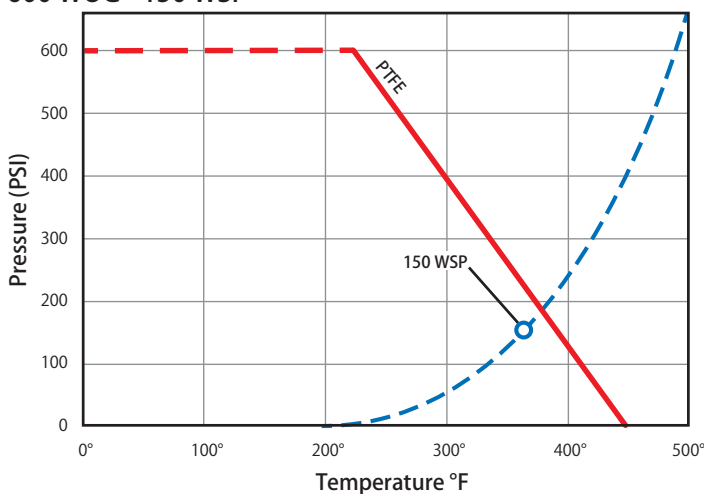
- Gland follower and single o-ring stem design
- Latch lock handle
- 100% leak tested

Approvals

- UL Listed up to 175 PSI (1/2" - 2")
 - MHKZ - Manual valves
 - YRPV - Gas shut-off valves
- FM Approval (1/2" - 2")
- MSS SP-110

Valve Seat Rating

600 WOG - 150 WSP



Material Specifications

No.	Part	Materials
1	Body	Brass - C37700
2	End Connection	Brass - C37700
3	Ball	Chrome Plated Brass - C37700
4	Seat (2)	PTFE
5	Stem	Brass - C37700
6	Packing	PTFE
7	Stem O-ring	Buna-N
8	Packing Gland	Brass - C37700
9	Handle	Steel - Chrome Plated
10	Handle Nut	Steel - Chrome Plated
11	Lock Washer	Steel - Chrome Plated

Dimensions

Part No.	Size	A	B	C	D	E
100-113LH	1/2"	2.17	2.69	4.06	0.59	0.50
100-114LH	3/4"	2.80	2.91	4.86	0.75	0.75
100-115LH	1"	3.27	3.22	4.86	0.98	0.86
100-116LH	1-1/4"	4.10	3.45	5.59	1.26	1.08
100-117LH	1-1/2"	4.33	3.59	5.59	1.57	0.98
100-118LH	2"	5.34	3.97	5.59	1.97	1.21
100-119LH	2-1/2"	6.39	4.88	7.35	2.52	1.48
100-120LH	3"	7.10	5.25	7.35	2.95	1.66

Brass Ball Valve



2 Piece • Full Port • Male x Female Connections • 600 WOG



JF-100TFM

Features

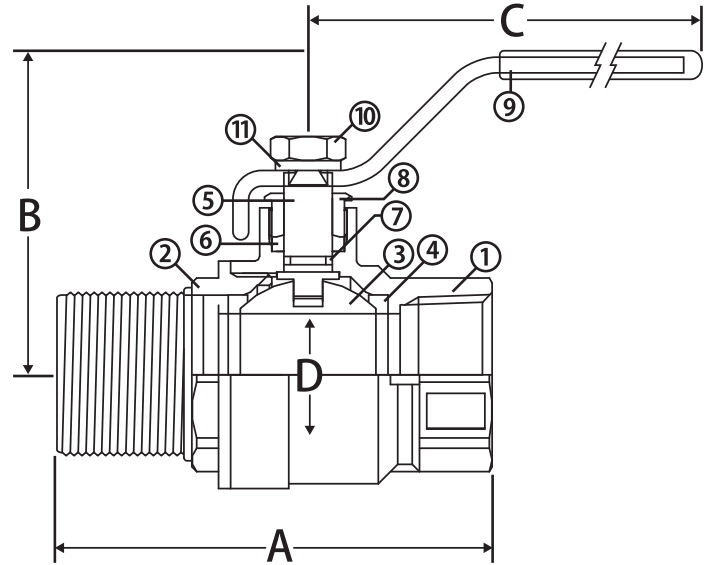
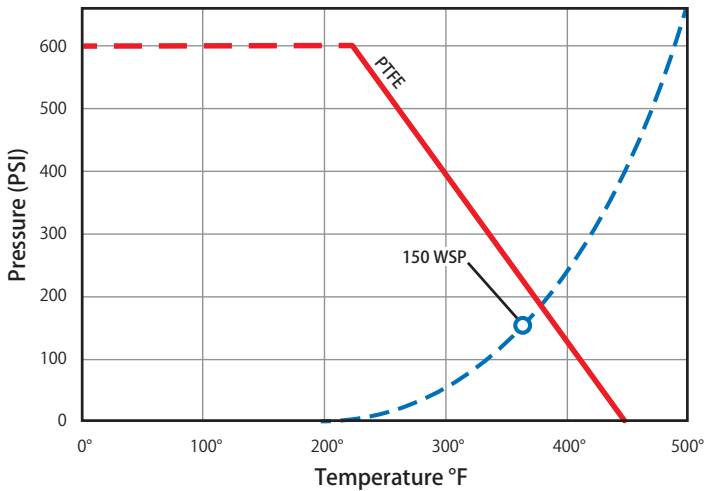
- Gland follower and single o-ring stem design
- Blow-out proof stem
- 100% leak tested

Approvals

- UL Listed up to 175 PSI (1/4" - 1")
 - MHKZ - Manual valves
 - YRPV - Gas shut-off valves
- FM Approval (1/2" - 1")

Valve Seat Rating

600 WOG - 150 WSP



Material Specifications

No.	Part	Materials
1	Body	Brass - C37700
2	End Connection	Brass - C37700
3	Ball	Chrome Plated Brass - C37700
4	Seat (2)	PTFE
5	Stem	Brass - C37700
6	Packing	PTFE
7	Stem O-ring	Buna-N
8	Packing Gland	Brass - C37700
9	Handle	Steel - Chrome Plated
10	Handle Nut	Steel - Chrome Plated
11	Lock Washer	Steel - Chrome Plated

Dimensions

Part No.	Size	A	B	C	D
100-131	1/4"	2.05	1.69	3.35	0.39
100-132	3/8"	2.05	1.69	3.35	0.39
100-133	1/2"	2.50	1.81	3.35	0.59
100-134	3/4"	2.83	2.36	4.29	0.75
100-135	1"	3.27	2.52	4.29	0.98

Note: Information subject to change without notice.

Brass Mini Ball Valve

2 Piece • Full Port • Threaded Connection • Mini Valves • 600 WOG



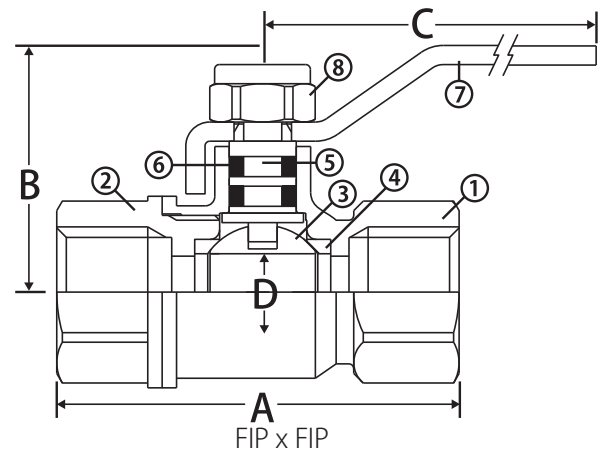
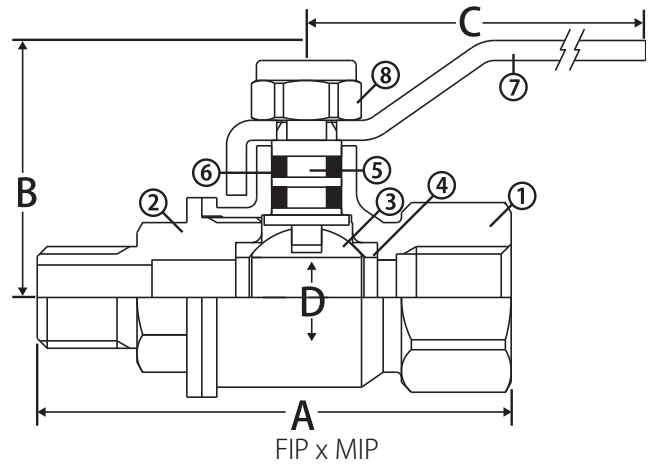
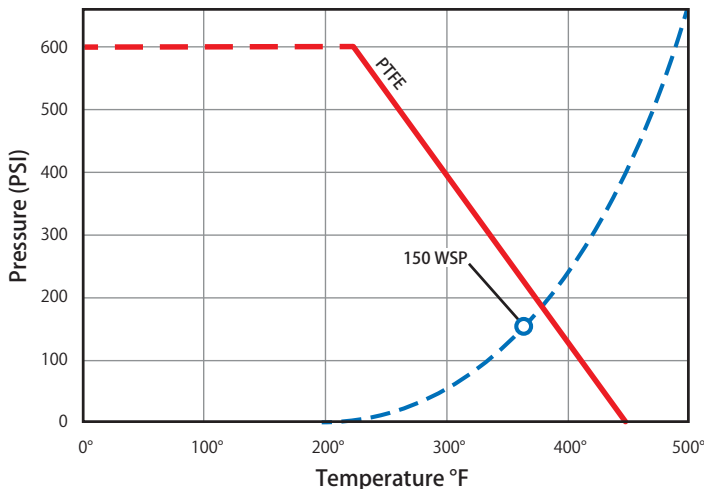
T-83C

Features

- Large raised wrench flats
- 2 Buna-N o-rings
- 100% leak tested

Valve Seat Rating

600 WOG - 150 WSP



Material Specifications

No.	Part	Materials
1	Body	Brass - C37700
2	End Connection	Brass - C37700
3	Ball	Chrome Plated Brass - C37700
4	Seat (2)	PTFE
5	Stem	Brass - C37700
6	Stem O-ring (2)	Buna-N
7	Handle*	Steel - Chrome Plated or Aluminum
8	Handle Nut / Screw*	Steel - Chrome Plated

*Material depends on handle selection

Dimensions

Part No.	Size	A	B	C	D
100-397	1/8" FIP x 1/8" MIP	1.90	1.07	1.77	0.28
100-398	1/4" FIP x 1/8" MIP	1.93	1.07	1.77	0.28
100-399	1/4" FIP x 1/4" MIP	2.01	1.07	1.77	0.28
100-400	1/4" FIP x 1/4" FIP	1.65	1.07	1.77	0.28

T-Handle

100-397TH	1/8" FIP x 1/8" MIP	1.90	1.10	1.33	0.28
100-398TH	1/4" FIP x 1/8" MIP	1.93	1.10	1.33	0.28
100-399TH	1/4" FIP x 1/4" MIP	2.01	1.10	1.33	0.28
100-400TH	1/4" FIP x 1/4" FIP	1.65	1.10	1.33	0.28

Brass Ball Valve



2 Piece • Full Port • Threaded Connection • 600 WOG • with Swivel Pump Flange



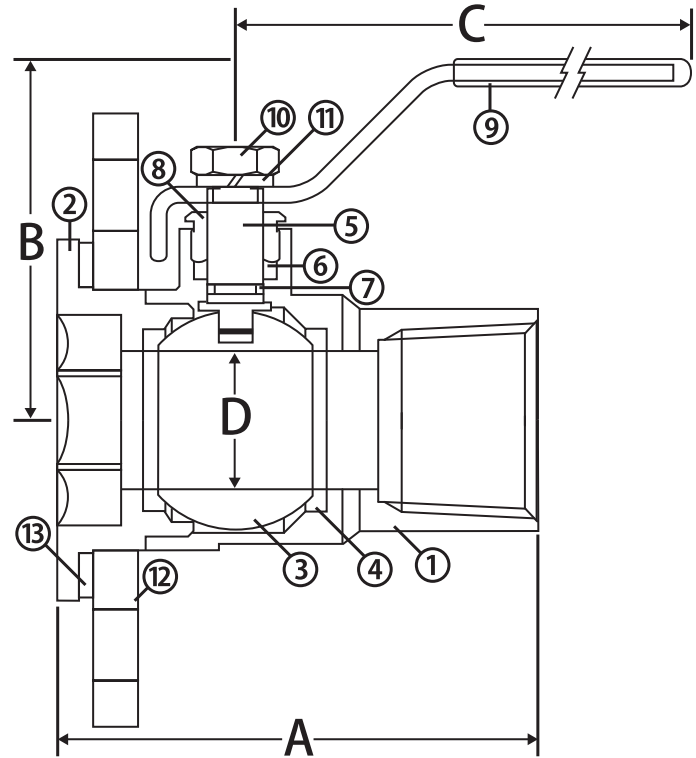
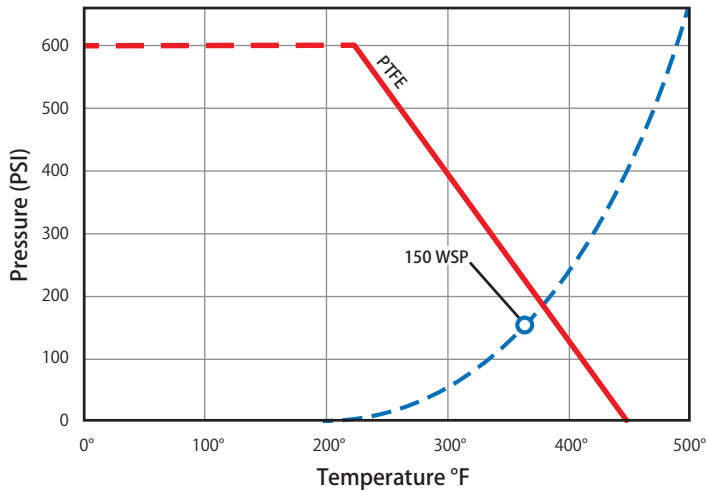
JF-100T-FL

Features

- For use on flanged end circulation pumps
- Ideal for use on in-floor heating systems
- Swivel flange allows valve to be mounted in any position
- Positional lever handle for easy operation
- 100% leak tested

Valve Seat Rating

600 WOG - 150 WSP



Material Specifications

No.	Part	Materials
1	Body	Brass - C37700
2	End Connection	Brass - C37700
3	Ball	Chrome Plated Brass - C37700
4	Seat (2)	PTFE
5	Stem	Brass - C37700
6	Packing	PTFE
7	Stem O-ring	Buna-N
8	Packing Gland	Brass - C37700
9	Handle	Steel - Chrome Plated
10	Handle Nut	Steel - Chrome Plated
11	Lock Washer	Steel - Chrome Plated
12	Flange	Steel - Chrome Plated
13	Body Gasket	EPDM
14	Mounting Bolt (2)*	Steel - Chrome Plated
15	Mounting Nut (2)*	Steel - Chrome Plated
16	Pump Gasket*	EPDM

* Not shown in drawing

Dimensions

Part No.	Size	A	B	C	D
100-103FL	1/2"	2.34	1.48	3.54	0.51
100-104FL	3/4"	2.54	1.94	4.45	0.75
100-105FL	1"	2.75	2.17	4.45	0.98
100-106FL	1-1/4"	3.05	2.51	5.74	1.25

Note: Information subject to change without notice.

Brass Ball Valve

**2 Piece • Full Port • Solder Connection • 600 WOG •
with Swivel Pump Flange**



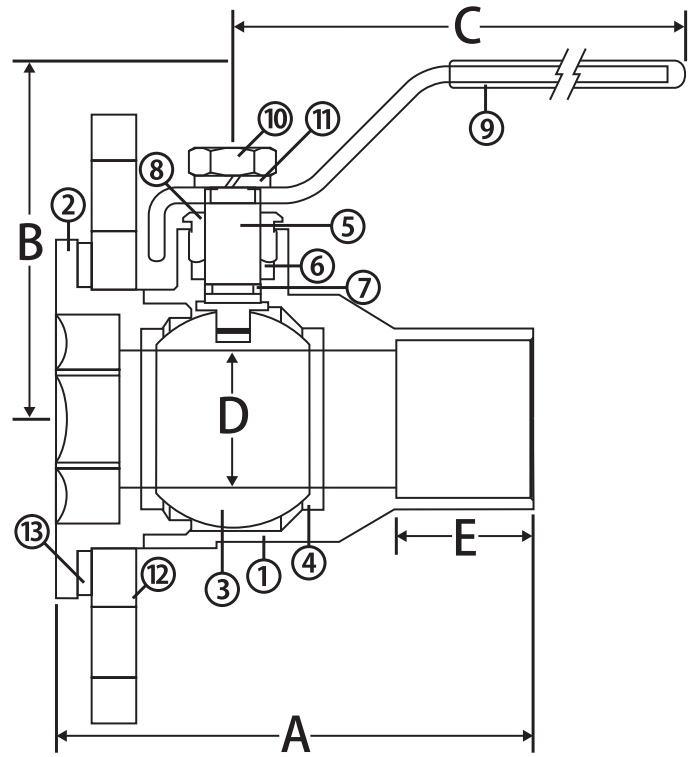
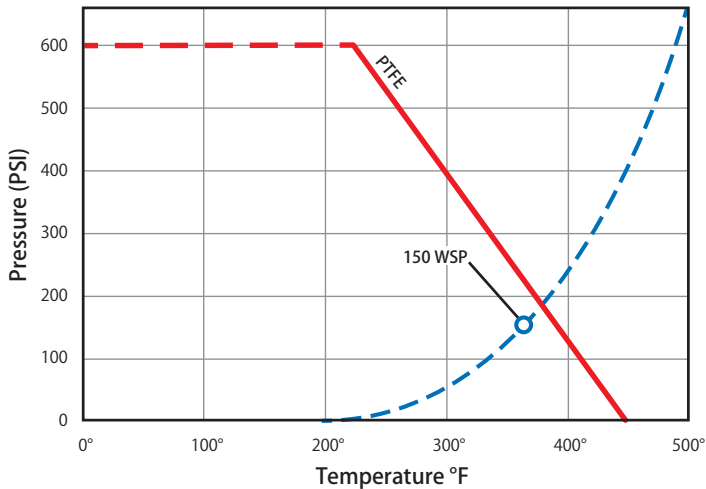
JF-100S-FL

Features

- For use on flanged end circulation pumps
- Ideal for use on in-floor heating systems
- Swivel flange allows valve to be mounted in any position
- Positional lever handle for easy operation
- 100% leak tested

Valve Seat Rating

600 WOG - 150 WSP



Material Specifications

No.	Part	Materials
1	Body	Brass - C37700
2	End Connection	Brass - C37700
3	Ball	Chrome Plated Brass - C37700
4	Seat (2)	PTFE
5	Stem	Brass - C37700
6	Packing	PTFE
7	Stem O-ring	Buna-N
8	Packing Gland	Brass - C37700
9	Handle	Steel - Chrome Plated
10	Handle Nut	Steel - Chrome Plated
11	Lock Washer	Steel - Chrome Plated
12	Flange	Steel - Chrome Plated
13	Body Gasket	EPDM
14	Mounting Bolt (2)*	Steel - Chrome Plated
15	Mounting Nut (2)*	Steel - Chrome Plated
16	Pump Gasket*	EPDM

* Not shown in drawing

Dimensions

Part No.	Size	A	B	C	D	E
100-113FL	1/2"	2.20	1.48	3.54	0.51	0.51
100-114FL	3/4"	2.63	1.94	4.45	0.75	0.75
100-115FL	1"	2.96	2.17	4.45	0.98	0.86
100-116FL	1-1/4"	3.44	2.51	5.74	1.25	1.08

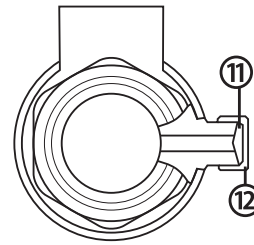
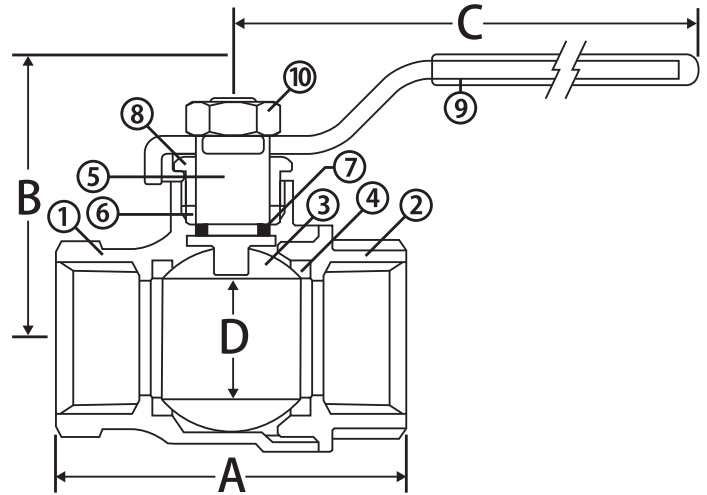
Brass Ball Valve



2 Piece • Full Port • Threaded Connection • 600 WOG • with Drain



T-110

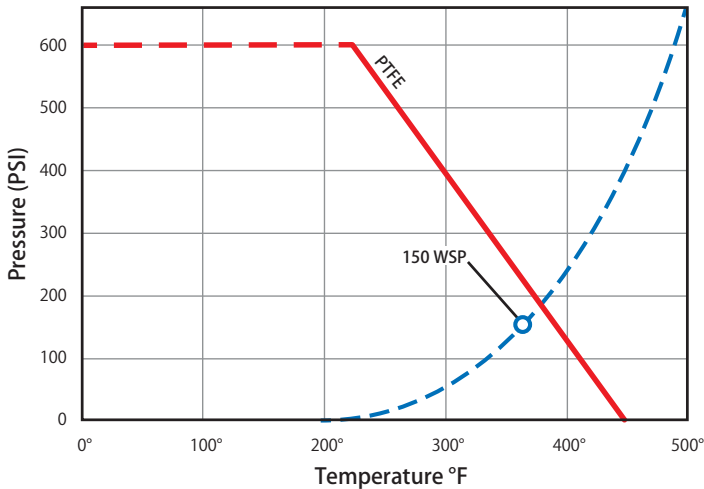


Features

- Gland follower and single o-ring stem design
- Blow-out proof stem
- Drain feature prevents freeze-up
- 100% leak tested

Valve Seat Rating

600 WOG - 150 WSP



Material Specifications

No.	Part	Materials
1	Body	Brass - C37700
2	End Connection	Brass - C37700
3	Ball	Chrome Plated Brass - C37700
4	Seat (2)	PTFE
5	Stem	Brass - C37700
6	Packing	PTFE
7	Stem O-ring	Buna-N
8	Packing Gland	Brass - C37700
9	Handle	Steel - Chrome Plated
10	Handle Nut	Steel - Chrome Plated
11	Flat Washer	Buna-N
12	Bleeder Cap	Brass - C37700

Dimensions

Part No.	Size	A	B	C	D
100-633	1/2"	2.28	1.81	3.35	0.59
100-634	3/4"	2.52	2.36	4.29	0.75
100-635	1"	2.97	2.52	4.29	0.98

Note: Information subject to change without notice.

Brass Ball Valve

2 Piece • Full Port • Solder Connection • 600 WOG • with Drain



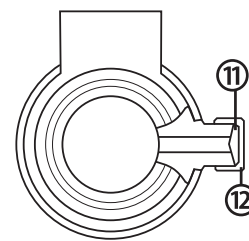
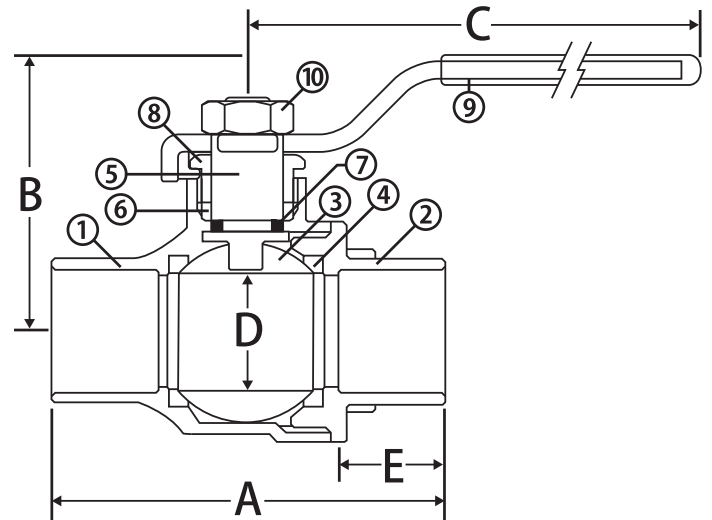
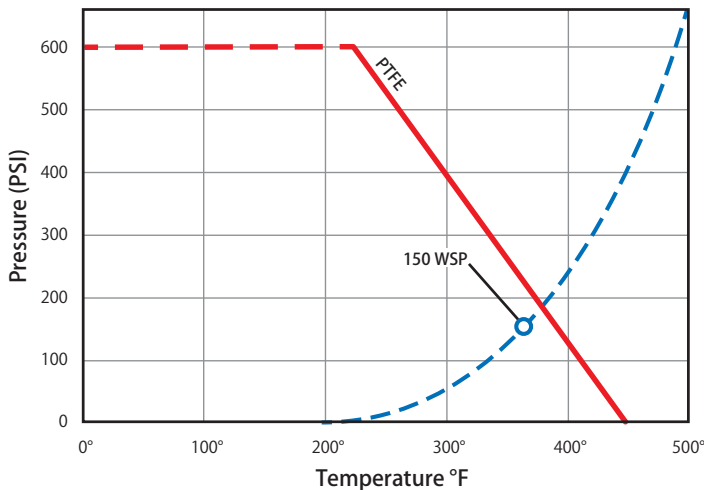
S-110

Features

- Gland follower and single o-ring stem design
- Blow-out proof stem
- Drain feature prevents freeze-up
- 100% leak tested

Valve Seat Rating

600 WOG - 150 WSP



Material Specifications

No.	Part	Materials
1	Body	Brass - C46400
2	End Connection	Brass - C46400
3	Ball	304 Stainless Steel
4	Seat (2)	PTFE
5	Stem	Brass - C46400
6	Packing	PTFE
7	Stem O-ring	Buna-N
8	Packing Gland	Brass - C46400
9	Handle	Steel - Chrome Plated
10	Handle Nut	Steel - Chrome Plated
11	Flat Washer	Buna-N
12	Bleeder Cap	Brass - C46400

Dimensions

Part No.	Size	A	B	C	D	E
100-643	1/2"	2.28	1.81	3.35	0.59	0.50
100-644	3/4"	2.52	2.36	4.29	0.75	0.75
100-645	1"	2.97	2.52	4.29	0.98	0.86

Brass Ball Valve



2 Piece • Full Port • Hose Connection x Threaded • 600 WOG • with Cap and Chain



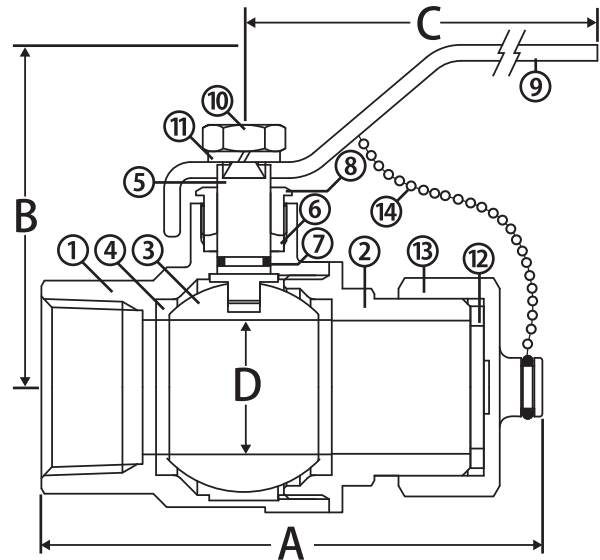
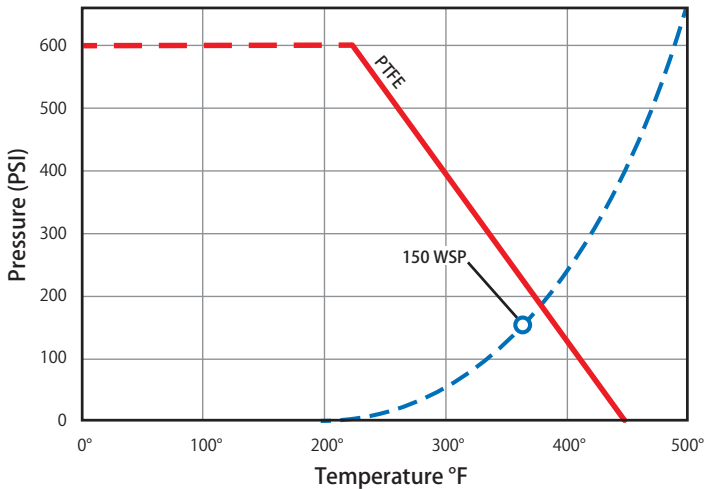
T-100HF

Features

- Cap and chain for easy drain & hose connection
- Heavy steel chain
- 100% leak tested

Valve Seat Rating

600 WOG - 150 WSP



Material Specifications

No.	Part	Materials
1	Body	Brass - C37700
2	End Connection	Brass - C37700
3	Ball	Chrome Plated Brass - C37700
4	Seat (2)	PTFE
5	Stem	Brass - C37700
6	Packing	PTFE
7	Stem O-ring	Buna-N
8	Packing Gland	Brass - C37700
9	Handle	Steel - Chrome Plated
10	Handle Nut	Steel - Chrome Plated
11	Lock Washer	Steel - Chrome Plated
12	Cap Washer	EPDM
13	Cap	Brass - C37700
14	Chain	Steel - Chrome Plated

Dimensions

Part No.	Size	A	B	C	D
100-653	1/2"	3.15	1.48	3.54	0.51
100-654	3/4"	3.43	1.94	4.45	0.75
100-655	1"	3.70	2.17	4.45	0.98

Brass Ball Valve

2 Piece • Full Port • Hose Connection x Solder • 600 WOG • with Cap and Chain



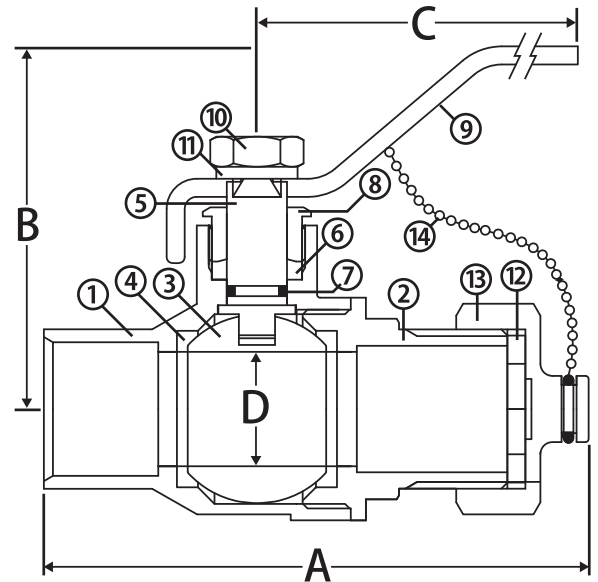
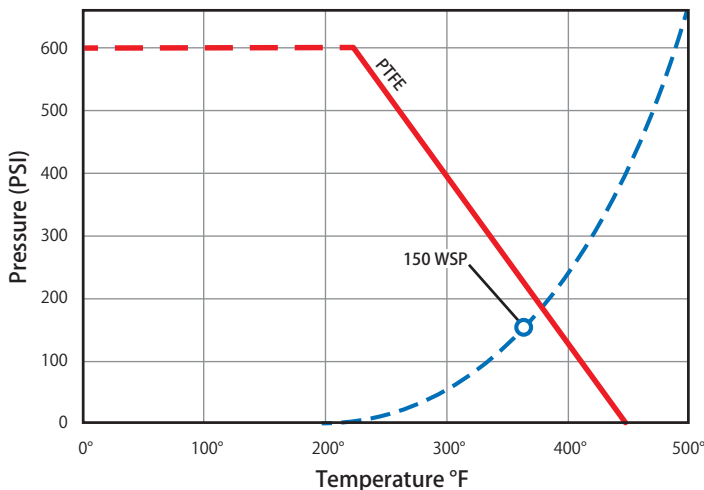
S-100HS

Features

- Cap and chain for easy drain & hose connection
- Heavy steel chain
- 100% leak tested

Valve Seat Rating

600 WOG - 150 WSP



Material Specifications

No.	Part	Materials
1	Body	Brass - C37700
2	End Connection	Brass - C37700
3	Ball	Chrome Plated Brass - C37700
4	Seat (2)	PTFE
5	Stem	Brass - C37700
6	Packing	PTFE
7	Stem O-ring	Buna-N
8	Packing Gland	Brass - C37700
9	Handle	Steel - Chrome Plated
10	Handle Nut	Steel - Chrome Plated
11	Lock Washer	Steel - Chrome Plated
12	Cap Washer	EPDM
13	Cap	Brass - C37700
14	Chain	Steel - Chrome Plated

Dimensions

Part No.	Size	A	B	C	D
100-663	1/2"	3.07	1.48	3.54	0.51
100-664	3/4"	3.54	1.94	4.45	0.75

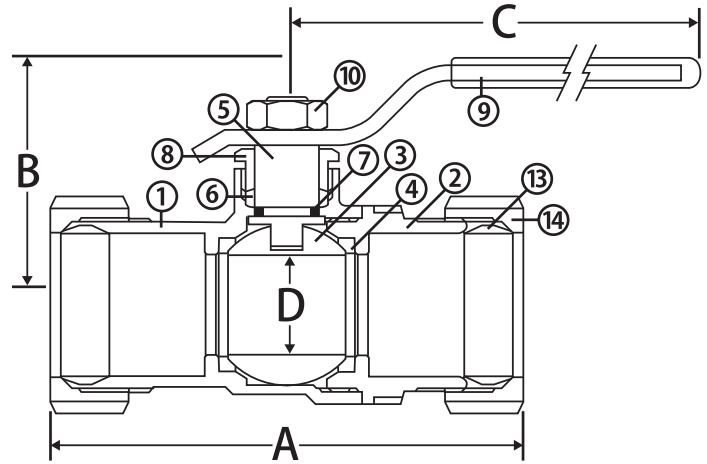
Brass Ball Valve



2 Piece • Full Port • Compression Connection • 600 WOG • with Drain



C-402

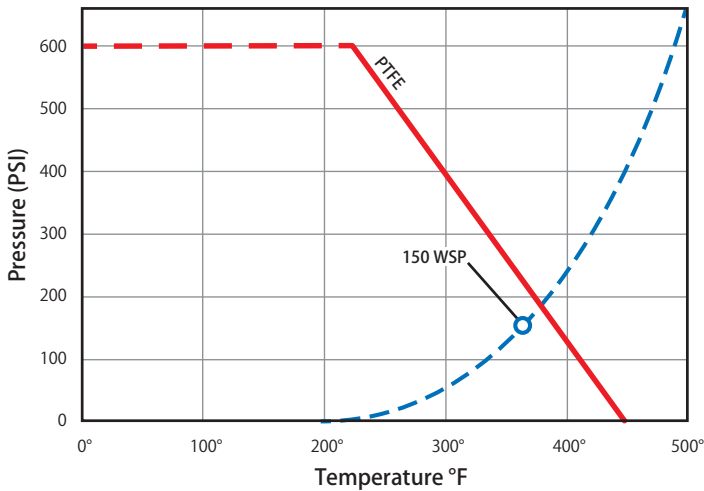


Features

- Drain feature prevents freeze-up
- Eliminates seat damage during soldering
- Compression ends ease maintenance
- Blow-out proof stem
- 100% leak tested

Valve Seat Rating

600 WOG - 150 WSP



Material Specifications

No.	Part	Materials
1	Body	Brass - C37700
2	End Connection	Brass - C37700
3	Ball	Chrome Plated Brass - C37700
4	Seat (2)	PTFE
5	Stem	Brass - C37700
6	Packing	PTFE
7	Stem O-ring	Buna-N
8	Packing Gland	Brass - C37700
9	Handle	Steel - Chrome Plated
10	Handle Nut	Steel - Chrome Plated
11	Flat Washer*	Buna-N
12	Bleeder Cap*	Brass - C37700
13	Compression Ring	Brass - C37700
14	Compression Nut	Brass - C37700

* Not shown in drawing

Dimensions

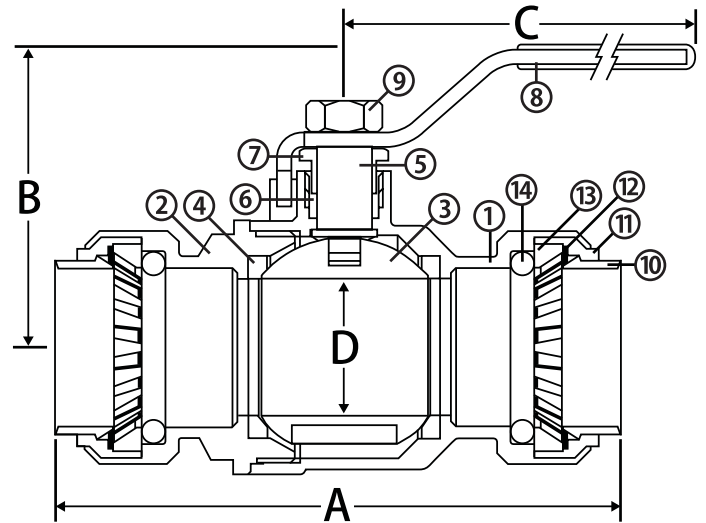
Part No.	Size	A	B	C	D
102-653	1/2"	2.83	1.81	3.35	0.59
102-654	3/4"	3.31	2.36	4.29	0.75
102-655	1"	3.90	2.52	4.29	0.98

Brass Ball Valve

2 Piece • Full Port • Push-Fit Connection • 200 WOG



JFP-100



Features

- Easy to connect and fit in seconds
- Connects with copper, CPVC and PEX
- Includes two pipe reinforcers and release tool
- 100% leak tested

Approvals

- UL Listed
 - VQGU - Trim & drain
- Meets ASSE/1061 Standard

Pressure Rating

- Pressure rating: Max 200 PSI
- Temperature range: max. 200°F water service

Material Specifications

No.	Part	Materials
1	Body	Brass - C37700
2	End Connection	Brass - C37700
3	Ball	Chrome Plated Brass - C37700
4	Seat (2)	PTFE
5	Stem	Brass - C37700
6	Packing	PTFE
7	Packing Gland	Brass - C37700
8	Handle	Steel - Q235
9	Handle Nut	Steel - S.201
10	Push Ring	POM
11	Lock Ring	POM
12	Gripper Ring	304 Stainless Steel
13	Seat Ring	POM
14	O-ring	EPDM
15	Pipe Reinforcer (2)*	POM
16	Release Tool*	POM

* Not shown in drawing

Dimensions

Part No.	Size	A	B	C	D
100-103JFP	1/2"	2.98	2.08	3.87	0.59
100-104JFP	3/4"	3.38	2.15	3.87	0.75
100-105JFP	1"	3.94	2.31	4.42	0.98

Brass Ball Valve



2 Piece • Standard Port • Pex Connection • 600 WOG



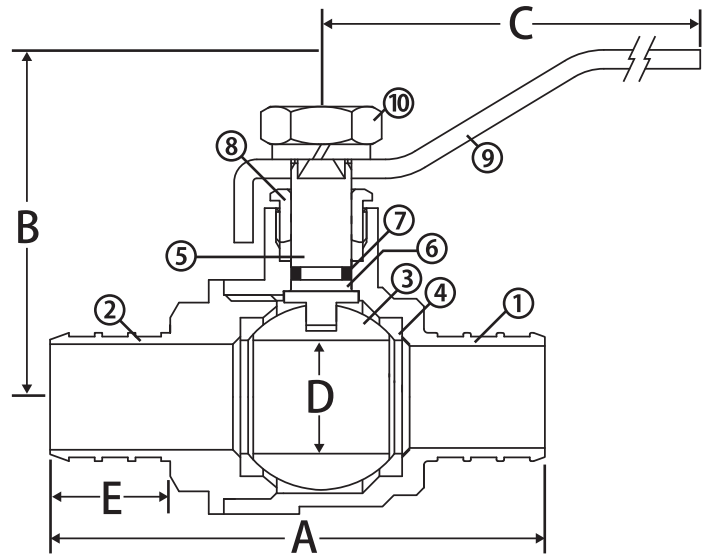
T-412

Features

- Blow-out proof stem design
- 100% leak tested

Pressure Rating

- Body rated to 600 WOG
- Crimp connection rated to 100 WOG up to 180°F



Material Specifications

No.	Part	Materials
1	Body	Brass - C37700
2	End Connection	Brass - C37700
3	Ball	Chrome Plated Brass - C37700
4	Seat (2)	PTFE
5	Stem	Brass - C37700
6	Packing	PTFE
7	Stem O-ring	Buna-N
8	Packing Gland	Brass - C37700
9	Handle	Steel - Chrome Plated
10	Handle Nut	Steel - Chrome Plated

Dimensions

Part No.	Size	A	B	C	D	E
103-523P	1/2"	2.45	1.65	3.54	0.35	0.63
103-524P	3/4"	2.58	1.72	3.54	0.53	0.63
103-525P	1"	3.16	1.95	4.45	0.71	0.80

Brass Ball Valve

2 Piece • Standard Port • Solder x Pex Connection • 600 WOG



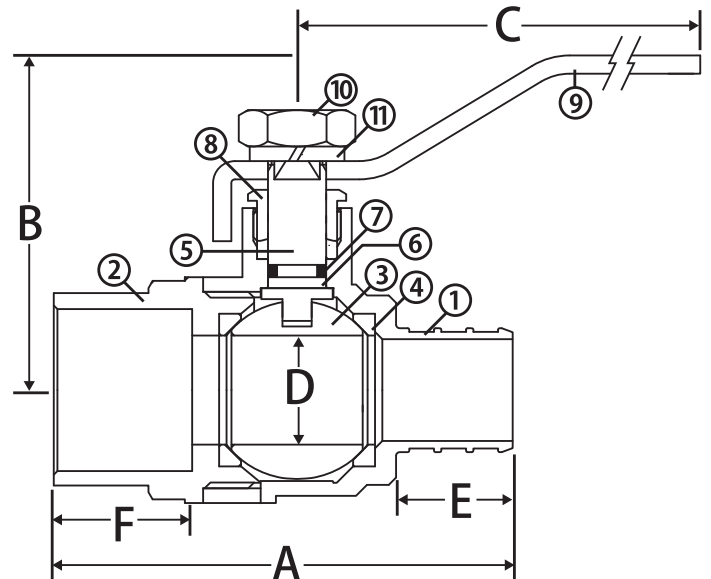
S-412

Features

- Blow-out proof stem design
- 100% leak tested

Pressure Rating

- Body rated to 600 WOG
- Crimp connection rated to 100 WOG up to 180°F



Material Specifications

No.	Part	Materials
1	Body	Brass - C37700
2	End Connection	Brass - C37700
3	Ball	Chrome Plated Brass - C37700
4	Seat (2)	PTFE
5	Stem	Brass - C37700
6	Packing	PTFE
7	Stem O-ring	Buna-N
8	Packing Gland	Brass - C37700
9	Handle	Steel - Chrome Plated
10	Handle Nut	Steel - Chrome Plated
11	Lock Washer	Steel - Chrome Plated

Dimensions

Part No.	Size	A	B	C	D	E	F
103-533P	1/2"	2.05	1.65	3.54	0.35	0.63	0.51
103-534P	3/4"	2.48	1.72	3.54	0.53	0.63	0.75

MIP x PEX

103-534MP	3/4"	2.58	1.65	3.54	0.53	0.63
-----------	------	------	------	------	------	------

Brass Ball Valve



3 Way Ball • Tankless Water Heater Valve Kit • Standard Port • Threaded, Solder or Press Connections • 600 WOG



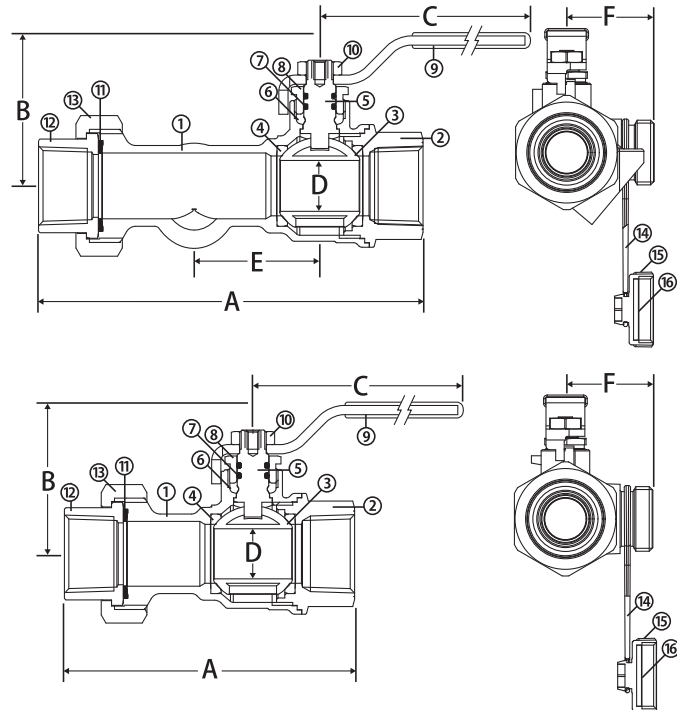
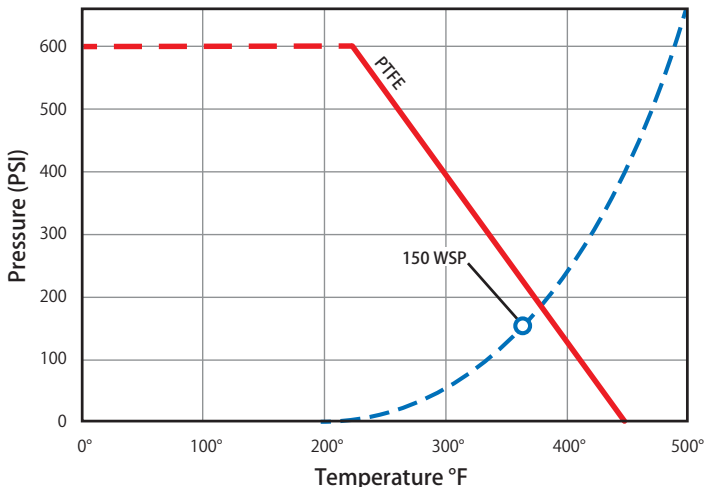
TWV-3W-KIT

Features

- Color coded hot and cold lever handles
- Unique 3-way style ball
- 2 Viton® o-rings with Teflon packing and packing nut guarantees no stem leaks
- U.S.A. Patent No. 7,762,280 B2
- 3/4" 200,000 BTU/hr pressure relief valve included with kit set to 150 PSI
- Available in FIP x FIP, Solder x Solder and FIP x Press connections.
- 100% leak tested
- Made in Italy
- Leakproof stem - Lifetime Warranty

Valve Seat Rating

600 WOG - 150 WSP



Material Specifications

No.	Part	Materials
1	Body	Brass - CW617N
2	End Connection	Brass - CW617N
3	Ball	T.E.A. Coated Brass - CW617N
4	Seat (2)	PTFE
5	Stem	Brass - CW614N
6	Packing	PTFE
7	Stem O-ring (2)	Viton®
8	Packing Gland	Brass - CW614N
9	Handle	Steel - Geomet® Plated
10	Handle Nut	Steel - Geomet® Plated
11	Union Washer	EPDM
12	Tail Piece	Brass - CW617N
13	Union Nut	Brass - CW617N
14	Tether	PVC
15	Cap	Brass - CW617N
16	Flat Washer	Buna-N

Dimensions

Part No.	Valve	A	B	C	D	E	F
810-504 - 3/4" Threaded							
810-534	Hot	5.11	2.00	3.74	0.66	1.65	1.41
810-544	Cold	3.93	2.00	3.74	0.66	-	1.41
810-514 - 3/4" Solder							
810-554	Hot	5.35	2.00	3.74	0.66	1.65	1.41
810-564	Cold	4.17	2.00	3.74	0.66	-	1.41
810-524 - 3/4" Press							
-	Hot	5.69	2.00	3.74	0.66	1.65	1.41
-	Cold	4.52	2.00	3.74	0.66	-	1.41

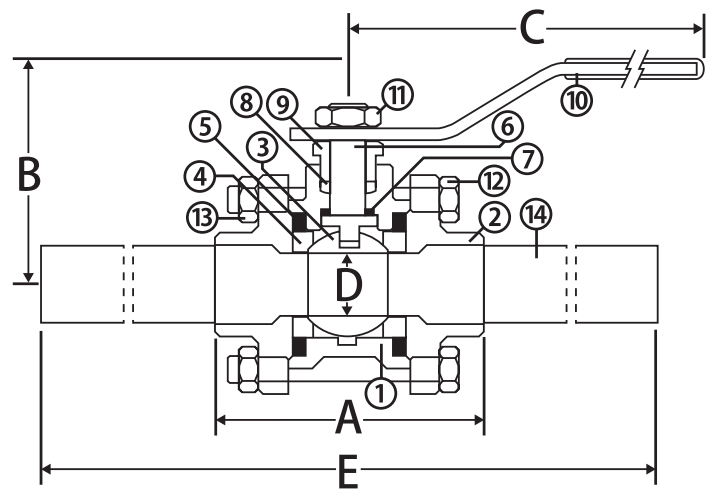
Note: Information subject to change without notice.

Medical Gas Ball Valve

3 Piece 4 Bolt • Cleaned for Medical Gas • Copper Stub Connection • 600 WOG



S-650-CE-4B

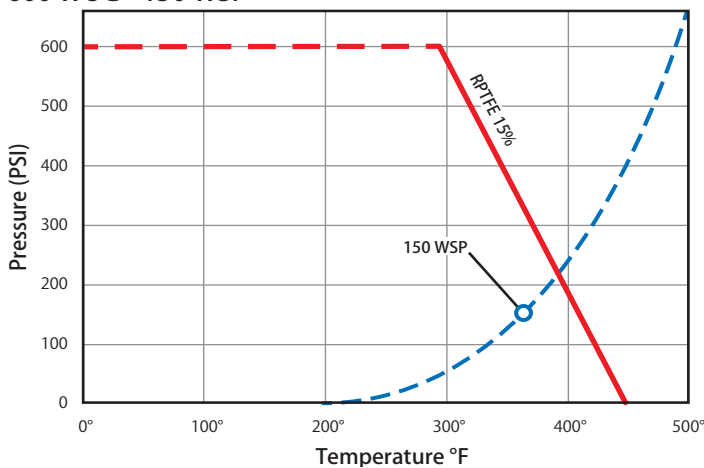


Features

- NFPA-99C standard
- "K" copper tubing extensions silver brazed
- Latch lock handle is standard
- Oxygen cleaned
- 100% leak tested

Valve Seat Rating

600 WOG - 150 WSP



Material Specifications

No.	Part	Materials
1	Body	Brass
2	End Cap (2)	Brass
3	Ball	Chrome Plated Brass
4	Seat (2)	RPTFE - 15%
5	Body O-ring (2)	Viton®
6	Stem	Brass
7	Stem Seal	RPTFE - 15%
8	Packing	RPTFE - 15%
9	Packing Gland	Brass
10	Handle	Steel - Nickel Plated
11	Handle Nut	Steel - Nickel Plated
12	Body Bolt (4)	Steel - Nickel Plated
13	Body Nut (4)	Steel - Nickel Plated
14	Extension (2)	Copper
15	Locking Device*	Steel - Nickel Plated
16	Grip*	Plastic
17	Copper Extension*	Typek
18	End Plug*	Plastic

* Not shown in drawing

Dimensions

Part No.	Size	A	B	C	D	E
500-803	1/2"	2.64	1.81	2.87	0.59	17.50
500-804	3/4"	2.95	2.44	4.67	0.79	17.50
500-805	1"	3.46	2.56	4.67	0.99	19.00
500-806	1-1/4"	3.97	3.11	5.86	1.26	20.00
500-807	1-1/2"	4.45	3.27	5.86	1.50	23.50
500-808	2"	5.55	3.66	7.87	1.97	26.00

Medical Gas Ball Valve



3 Piece 4 Bolt • Cleaned for Medical Gas • Copper Stub Connection • with Single Gauge Port • 600 WOG



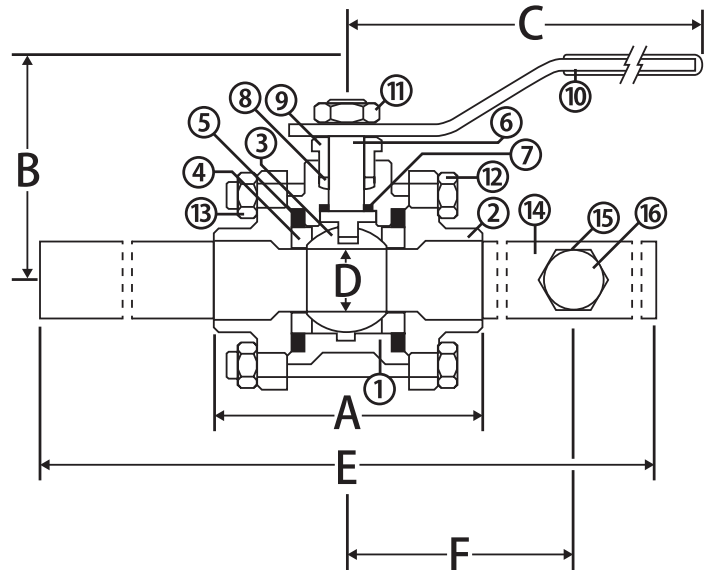
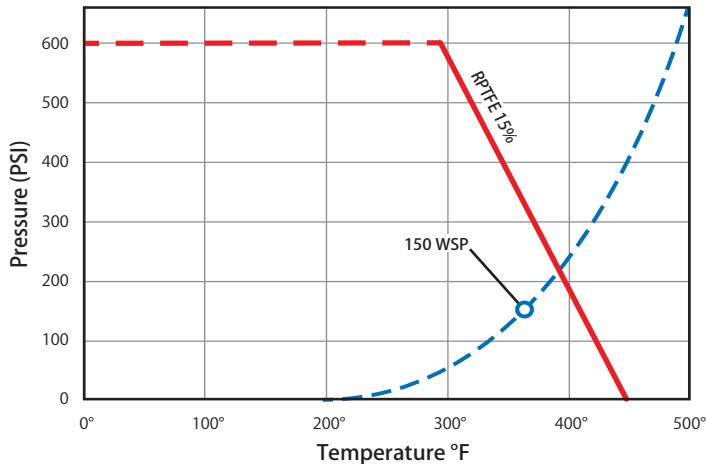
S-675-GP-4B

Features

- NFPA-99C standard
- 1/8" gauge purge port
- "K" copper tubing extensions silver brazed
- Latch lock handle is standard
- Oxygen cleaned
- 100% leak tested

Valve Seat Rating

600 WOG - 150 WSP



Material Specifications

No.	Part	Materials
1	Body	Brass
2	End Cap (2)	Brass
3	Ball	Chrome Plated Brass
4	Seat (2)	RPTFE - 15%
5	Body O-ring (2)	Viton®
6	Stem	Brass
7	Stem Seal	RPTFE - 15%
8	Packing	RPTFE - 15%
9	Packing Gland	Brass
10	Handle	Steel - Nickel Plated
11	Handle Nut	Steel - Nickel Plated
12	Body Bolt (4)	Steel - Nickel Plated
13	Body Nut (4)	Steel - Nickel Plated
14	Extension (2)	Copper
15	Port Housing	Brass
16	Purge Port	Brass
17	Locking Device*	Steel - Nickel Plated
18	End Plug*	Plastic
19	Purge Port*	Brass

* Not shown in drawing

Dimensions

Part No.	Size	A	B	C	D	E	F
500-823	1/2"	2.64	1.81	2.87	0.59	17.50	5.00
500-824	3/4"	2.95	2.44	4.67	0.79	17.50	5.00
500-825	1"	3.46	2.56	4.67	0.99	19.00	5.00
500-826	1-1/4"	3.97	3.11	5.86	1.26	20.00	6.50
500-827	1-1/2"	4.45	3.27	5.86	1.50	23.50	6.50
500-828	2"	5.55	3.66	7.87	1.97	26.00	6.50

Medical Gas Ball Valve

3 Piece 4 Bolt • Cleaned for Medical Gas • Copper Stub Connection • with Double Gauge Port • 600 WOG



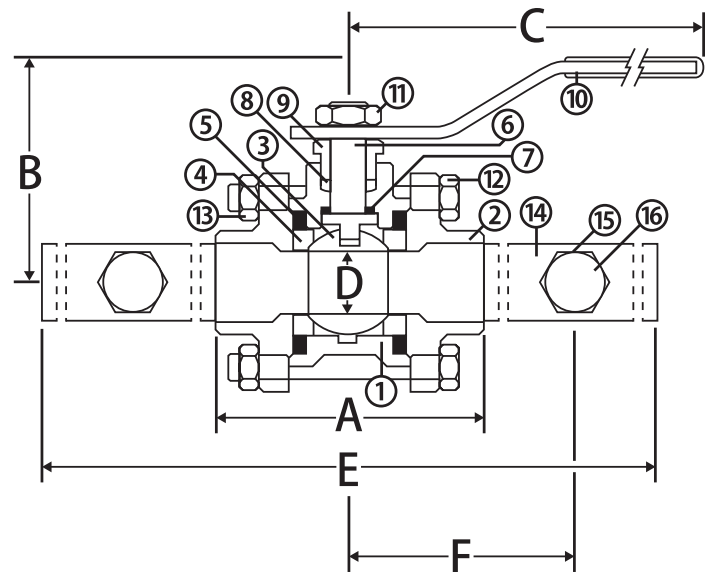
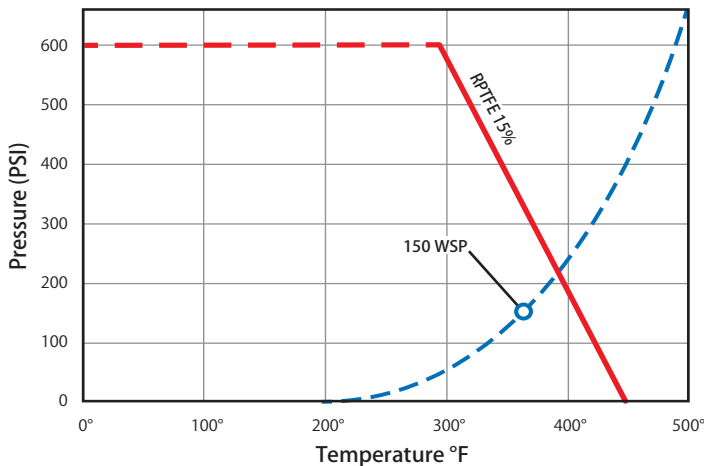
S-675-DGP-4B

Features

- NFPA-99C standard
- Two 1/8" gauge purge ports
- "K" copper tubing extensions silver brazed
- Latch lock handle is standard
- Oxygen cleaned
- 100% leak tested

Valve Seat Rating

600 WOG - 150 WSP



Material Specifications

No.	Part	Materials
1	Body	Brass
2	End Cap (2)	Brass
3	Ball	Chrome Plated Brass
4	Seat (2)	RPTFE - 15%
5	Body O-ring (2)	Viton®
6	Stem	Brass
7	Stem Seal	RPTFE - 15%
8	Packing	RPTFE - 15%
9	Packing Gland	Brass
10	Handle	Steel - Nickel Plated
11	Handle Nut	Steel - Nickel Plated
12	Body Bolt (4)	Steel - Nickel Plated
13	Body Nut (4)	Steel - Nickel Plated
14	Extension (2)	Copper
15	Port Housing (2)	Brass
16	Purge Port (2)	Brass
17	Locking Device*	Steel - Nickel Plated
18	End Plug*	Plastic
19	Purge Port*	Brass

* Not shown in drawing

Dimensions

Part No.	Size	A	B	C	D	E	F
500-833	1/2"	2.64	1.81	2.87	0.59	17.50	5.00
500-834	3/4"	2.95	2.44	4.67	0.79	17.50	5.00
500-835	1"	3.46	2.56	4.67	0.99	19.00	5.00
500-836	1-1/4"	3.97	3.11	5.86	1.26	20.00	6.50
500-837	1-1/2"	4.45	3.27	5.86	1.50	23.50	6.50
500-838	2"	5.55	3.66	7.87	1.97	26.00	6.50

Oxygen Cleaning

Precision Ultrasonic Cleaning



Oxygen Cleaning

Oxygen cleaning is the thorough removal of hydrocarbons (typically a grease or oil type substance) and other readily oxidizable materials from valves, fittings, and pipes, and for use in medical oxygen services.

NFPA 99C states materials for use in medical gas piping must be cleaned, plugged, capped and bagged until installed.

Ultrasonic energy causes alternating patterns of low and high pressure phases. During the low pressure phase,

minute bubbles or vacuum cavities form. During the subsequent high pressure phase, the bubbles implode violently. This is called cavitation.

Cavitation provides an intense scrubbing action that leads to unsurpassed cleaning speed and consistency. These bubbles are small enough to penetrate even microscopic crevices, cleaning them thoroughly and consistently and resulting in one of the most highly effective and efficient methods of oxygen cleaning.

Add-A-Valve[®]

Emergency Shut Off Device



Add-A-Valve

Description

Emergency shut off device for copper tubing eliminates shutdowns. Allows replacement of defective valve or installation of new valve on hot or cold water in 30 minutes or less* without shutting off water. Valve may be replaced or installed on hot or cold water, H₂O glycol systems, under pressure, on type M, L & K and copper tube.

*Times may vary depending on working conditions

Features

- Eliminates facility shutdowns
- Bottom cleanout cap serves as line tap
- Lead free S-100C ball valve included in package
- Loc-Tite[®] gasket sealant included
- U.S. and Canadian patent no. 5,316,037

Pressure Rating

- 220°F x 250 PSI

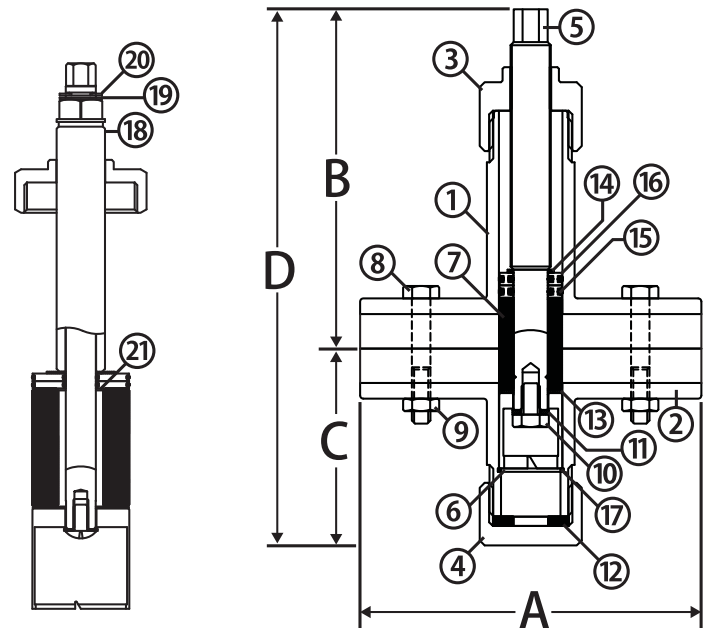
Lead Free Statement

The Jomar Add-a-Valve[®] is an emergency shutdown kit that is comprised of a service saddle, cutting-tee, adhesive and a lead free brass ball valve. Please note, the service saddle portion of this kit (the Add-a-Valve[®] cutter assembly) is exempt under the Safe Water Drinking Act and the brass ball valve that is provided is lead free. Therefore, the entire Jomar Add-a-Valve[®] kit meets all federal lead free legislation.

"(4) EXEMPTIONS.—The prohibitions in paragraphs (1) and (3) shall not apply to—

"(B) toilets, bidets, urinals, fill valves, flushometer valves, tub fillers, shower valves, service saddles, or water distribution main gate valves that are 2 inches in diameter or larger."

—Safe Drinking Water Act



Material Specifications

No.	Part	Materials
1	Body Half - Top	Forged Brass
2	Body Half - Bottom	Forged Brass
3	Stem Holder (1/2 - 1")	Brass
	(1-1/4 - 2")	Forged Brass
4	Bottom Cap (1/2 - 1")	Brass
	(1-1/4 - 2")	Forged Brass
5	Stem	316 Stainless Steel
6	Cutter	SKD11 Steel
7	Plug	Viton [®]
8	Bolt	304 Stainless Steel
9	Nut	304 Stainless Steel
10	Cutter Screw	304 Stainless Steel
11	Washer	304 Stainless Steel
12	Gasket	Viton [®]
13	Washer	304 Stainless Steel
14	Washer	304 Stainless Steel
15	O-ring	Viton [®]
16	O-ring Holder	Brass
17	Seat Ring	304 Stainless Steel
18	Thread Tube	Brass
19	Washer	304 Stainless Steel
20	Spring Washer	304 Stainless Steel
21	Insert (2" only)	Brass

Dimensions

Part No.	Size	A	B	C	D (Open)	D (Closed)
800-103ADD	1/2"	2.99	5.08	1.61	6.69	5.12
800-104ADD	3/4"	3.31	6.30	2.48	8.78	6.77
800-105ADD	1"	3.66	7.48	2.80	10.28	7.68
800-106ADD	1-1/4"	4.25	9.77	2.80	12.72	9.77
800-107ADD	1-1/2"	4.65	10.43	3.58	13.86	10.43
800-108ADD	2"	7.20	12.17	3.98	16.61	12.17

Gas Ball Valve



2 Piece • Female Dielectric Union End x Female Connections • 600 WOG



T-204DU FIP x FIP

Features

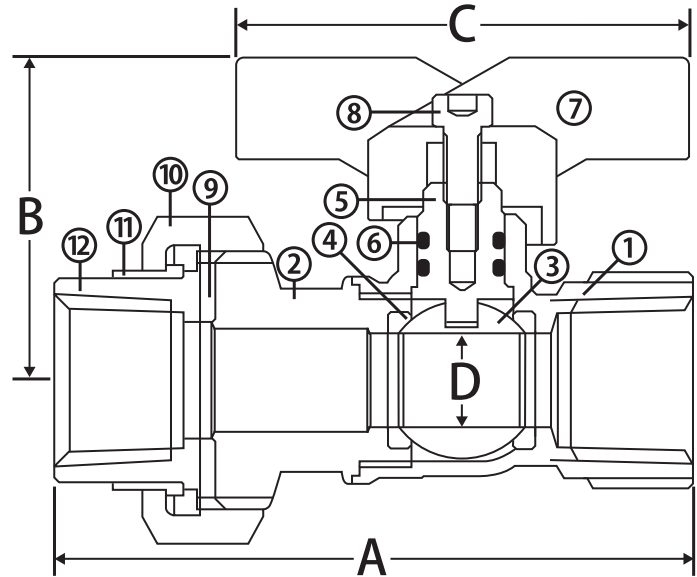
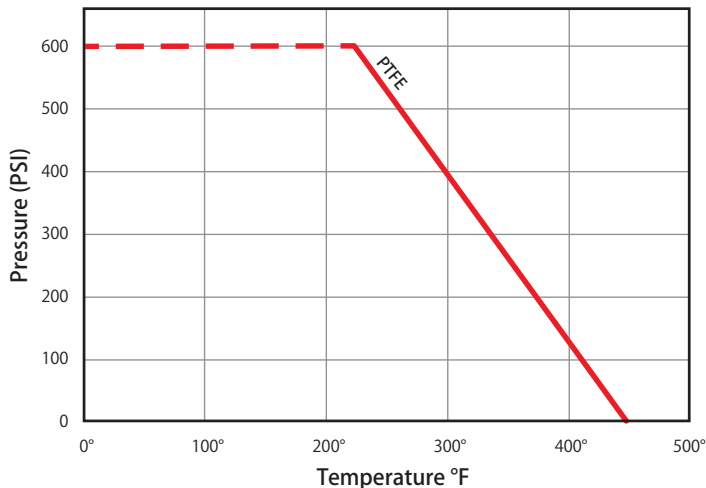
- Valve can be locked in the closed position by reversing the handle
- 2 Viton® o-rings
- 100% leak tested
- Made in Italy
- Leakproof stem - Lifetime Warranty
- For sizes above 3/4" use T-100UE

Approvals

- UL Listed 842
- CSA Certified
 - ANSI Z21.15 (.5 PSIG)
 - ASME B16.44 (5 PSI)
 - CGA CR91 (5 PSIG)
- Threads conform to ANSI B1.20.1

Valve Seat Rating

600 WOG



Material Specifications

No.	Part	Materials
1	Body	Brass - CW617N
2	End Connection	Brass - CW617N
3	Ball	Chrome Plated Brass - CW614N
4	Seat (2)	PTFE
5	Stem	Brass - CW614N
6	Stem O-ring (2)	Viton®
7	Handle	Aluminum
8	Handle Screw	Steel - Geomet® Plated
9	Gasket	Buna-N
10	Union Nut	Brass - CW617N
11	Dielectric Ring	Nylon 6
12	Tail Piece	Brass - CW614N

Dimensions

Part No.	Size	A	B	C	D
101-403DU	1/2" FIP x 1/2" FIP	3.24	1.63	2.32	0.47
101-404DU	3/4" FIP x 3/4" FIP	3.55	1.79	2.32	0.59

Gas Ball Valve

2 Piece • Female Dielectric Union End x Flare Connections • 600 WOG



T-204DU FIP x FL

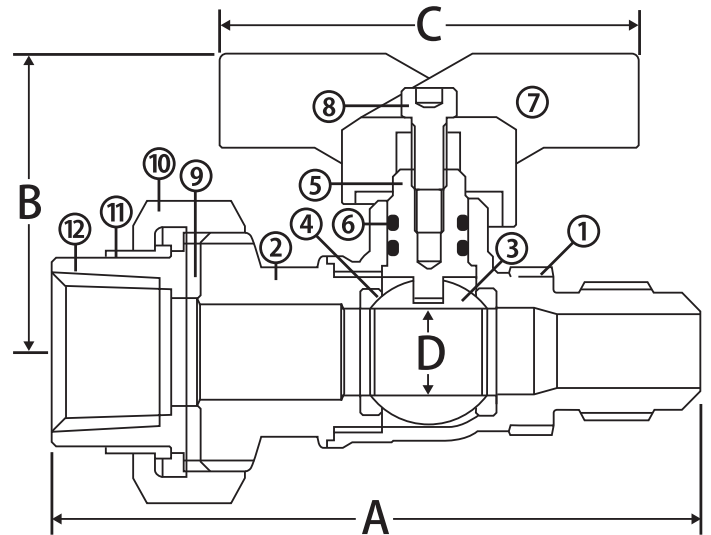
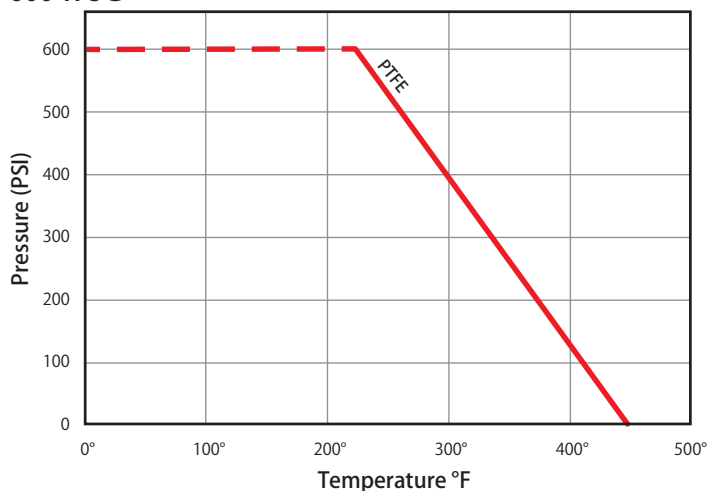
Features

- Valve can be locked in the closed position by reversing the handle
- 2 Viton® o-rings
- 100% leak tested
- Made in Italy
- Leakproof stem - Lifetime Warranty

Approvals

- CSA Certified
 - ANSI Z21.15 (.5 PSIG)
 - ASME B16.44 (5 PSI)
 - CGA CR91 (5 PSIG)
- Threads conform to ANSI B1.20.1

Valve Seat Rating 600 WOG



Material Specifications

No.	Part	Materials
1	Body	Brass - CW617N
2	End Connection	Brass - CW617N
3	Ball	Chrome Plated Brass - CW614N
4	Seat (2)	PTFE
5	Stem	Brass - CW614N
6	Stem O-ring (2)	Viton®
7	Handle	Aluminum
8	Handle Screw	Steel - Geomet® Plated
9	Gasket	Buna-N
10	Union Nut	Brass - CW617N
11	Dielectric Ring	Nylon 6
12	Tail Piece	Brass - CW614N

Dimensions

Part No.	Size	A	B	C	D
101-513DU	1/2" FIP x 1/2" FL	3.54	1.63	2.32	0.47

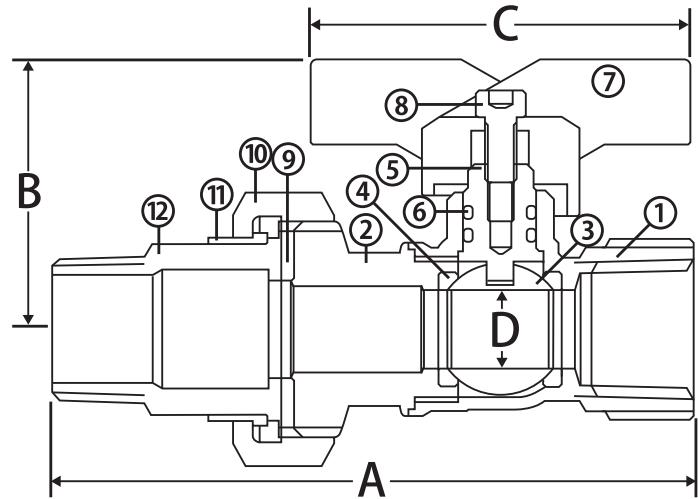
Gas Ball Valve



2 Piece • Male Dielectric Union End x Female Connections • 600 WOG



T-204DU MIP x FIP



Features

- Valve can be locked in the closed position by reversing the handle
- 2 Viton® o-rings
- 100% leak tested
- Made in Italy
- Leakproof stem - Lifetime Warranty

Approvals

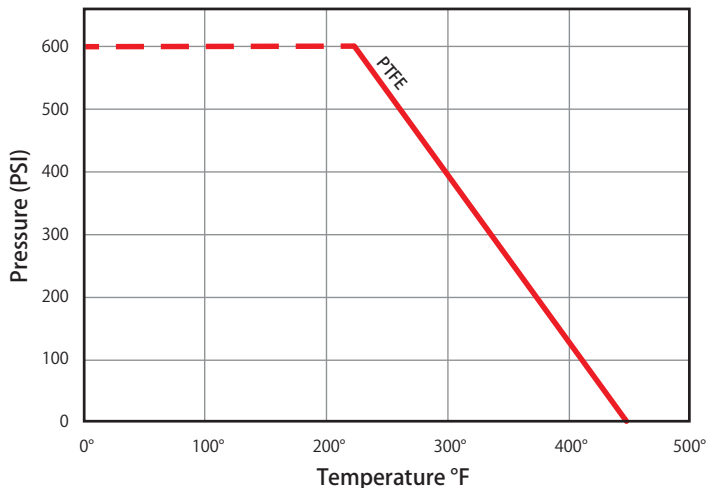
- UL Listed 842
- CSA Certified
 - ANSI Z21.15 (.5 PSIG)
 - ASME B16.44 (5 PSI)
 - CGA CR91 (5 PSIG)
- Threads conform to ANSI B1.20.1

Material Specifications

No.	Part	Materials
1	Body	Brass - CW617N
2	End Connection	Brass - CW617N
3	Ball	Chrome Plated Brass - CW614N
4	Seat (2)	PTFE
5	Stem	Brass - CW614N
6	Stem O-ring (2)	Viton®
7	Handle	Aluminum
8	Handle Screw	Steel - Geomet® Plated
9	Gasket	Buna-N
10	Union Nut	Brass - CW617N
11	Dielectric Ring	Nylon 6
12	Tail Piece	Brass - CW614N

Valve Seat Rating

600 WOG



Dimensions

Part No.	Size	A	B	C	D
101-803DU	1/2" MIP x 1/2" FIP	4.02	1.63	2.32	0.47
101-804DU	3/4" MIP x 3/4" FIP	4.35	1.79	2.32	0.59

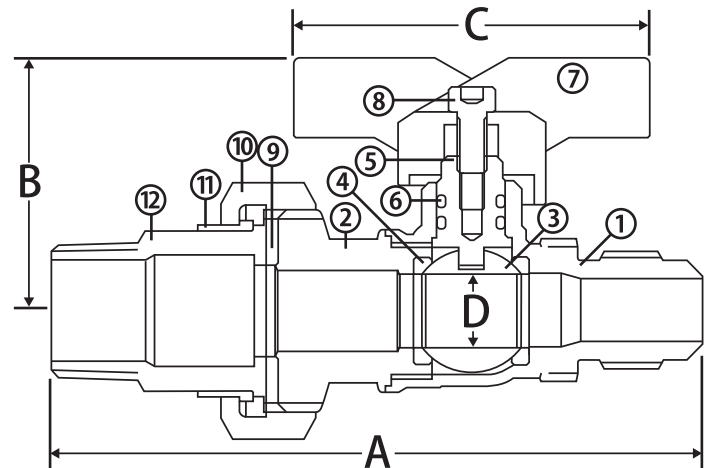
Note: Information subject to change without notice.

Gas Ball Valve

**2 Piece • Male Dielectric Union End x Flare Connections •
600 WOG**



T-204DU MIP x FL



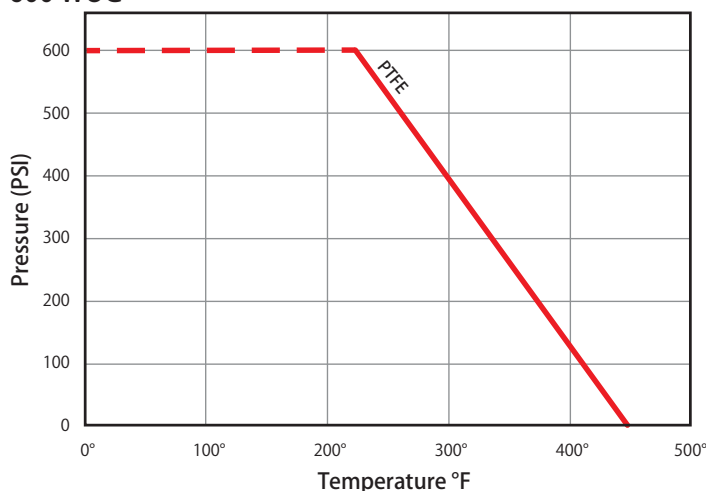
Features

- Valve can be locked in the closed position by reversing the handle
- 2 Viton® o-rings
- 100% leak tested
- Made in Italy
- Leakproof stem - Lifetime Warranty

Approvals

- CSA Certified
 - ANSI Z21.15 (.5 PSIG)
 - ASME B16.44 (5 PSI)
 - CGA CR91 (5 PSIG)
- Threads conform to ANSI B1.20.1

Valve Seat Rating 600 WOG



Material Specifications

No.	Part	Materials
1	Body	Brass - CW617N
2	End Connection	Brass - CW617N
3	Ball	Chrome Plated Brass - CW614N
4	Seat (2)	PTFE
5	Stem	Brass - CW614N
6	Stem O-ring (2)	Viton®
7	Handle	Aluminum
8	Handle Screw	Steel - Geomet® Plated
9	Gasket	Buna-N
10	Union Nut	Brass - CW617N
11	Dielectric Ring	Nylon 6
12	Tail Piece	Brass - CW614N

Dimensions

Part No.	Size	A	B	C	D
101-703DU	1/2" MIP x 1/2" FL	4.32	1.63	2.32	0.47

Gas Ball Valve



2 Piece • Threaded Connection • 600 WOG



T-handle

Teardrop Handle

T-204 FIP x FIP

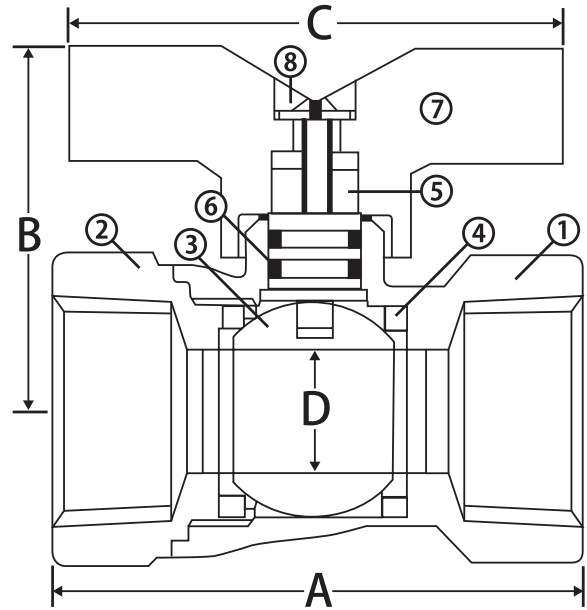
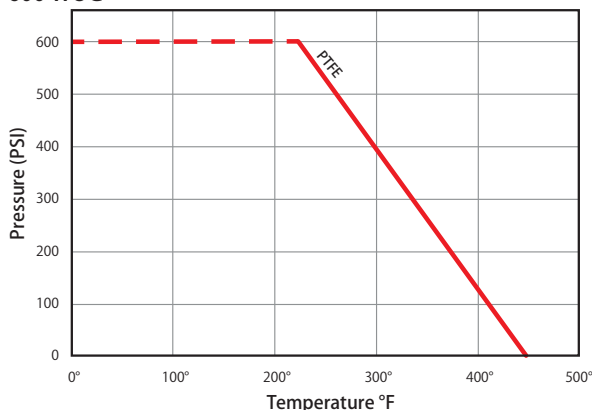
Features

- Valve can be locked in the closed position by reversing the handle
- 2 Viton® o-rings
- 100% leak tested
- Made in Italy
- Leakproof stem - Lifetime Warranty
- For sizes above 3/4" use Model T-100C

Approvals

- UL Listed
 - YQNZ - Compressed gas shut-off valves
 - YRPV - Gas shut-off valves
 - YSDT - LP gas shut-off valves
 - MHKZ - Manual valves
 - YRBX - Flammable liquid shut-off valves
 - SFJQ - Valves, refrigerant
- CSA Certified
 - ANSI Z21.15 (.5 PSIG)
 - ASME B16.44 (5 PSIG)
 - CGA CR91 (5 PSIG)
- Threads conform to ANSI B1.20.1

Valve Seat Rating 600 WOG



Material Specifications

No.	Part	Materials
1	Body	Brass - CW617N
2	End Connection	Brass - CW617N
3	Ball	Chrome Plated Brass - CW614N
4	Seat (2)	PTFE
5	Stem	Brass - CW614N
6	Stem O-ring (2)	Viton®
7	Handle*	Aluminum
8	Handle Screw	Steel - Geomet® Plated

*101-404BRT has brass handle

Dimensions

Part No.	Size	A	B	C	D
T-handle					
101-401	1/4" FIP	1.85	1.63	2.32	0.39
101-402	3/8" FIP	1.85	1.63	2.32	0.47
101-403	1/2" FIP	2.40	1.63	2.32	0.47
101-404	3/4" FIP	2.53	1.69	2.32	0.59
101-404BRT*	3/4" FIP	2.53	2.05	2.32	0.59

*BRT=Brass T-handle

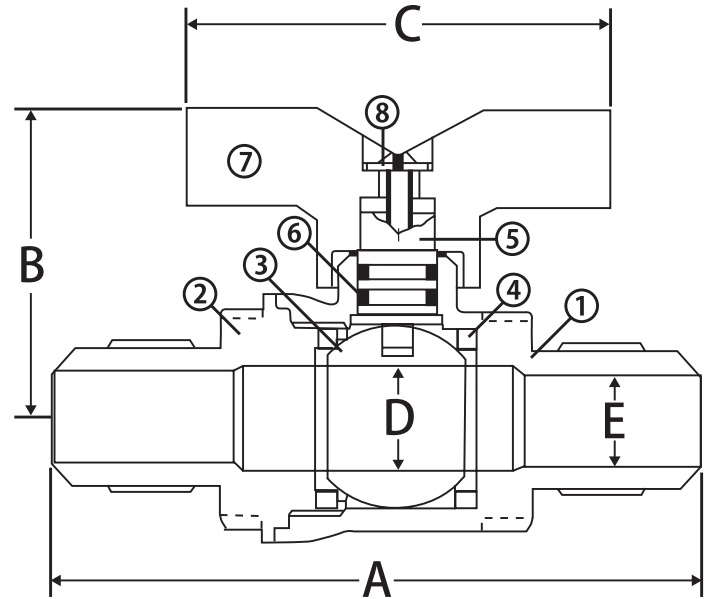
Teardrop Handle

101-411	1/4" FIP	1.85	1.40	1.97	0.39
101-412	3/8" FIP	1.85	1.40	1.97	0.47
101-413	1/2" FIP	2.40	1.40	1.97	0.47
101-414	3/4" FIP	2.53	1.46	1.97	0.59

Note: Information subject to change without notice.

Gas Ball Valve

2 Piece • Flare Connection • 600 WOG



Features

- Valve can be locked in the closed position by reversing the handle
- 2 Viton® o-rings
- 100% leak tested
- Made in Italy
- Leakproof stem - Lifetime Warranty

Approvals

- UL Listed
 - YQNZ - Compressed gas shut-off valves
 - YRPV - Gas shut-off valves
 - YSDT - LP gas shut-off valves
 - MHKZ - Manual valves
 - YRBX - Flammable liquid shut-off valves
 - SFJQ - Valves, refrigerant
- CSA Certified
 - ANSI Z21.15 (.5 PSIG)
 - ASME B16.44 (5 PSI)
 - CGA CR91 (5 PSIG)
- Threads conform to ANSI B1.20.1

Material Specifications

No.	Part	Materials
1	Body	Brass - CW617N
2	End Connection	Brass - CW617N
3	Ball	Chrome Plated Brass - CW614N
4	Seat (2)	PTFE
5	Stem	Brass - CW614N
6	Stem O-ring (2)	Viton®
7	Handle	Aluminum
8	Handle Screw	Steel - Geomet® Plated

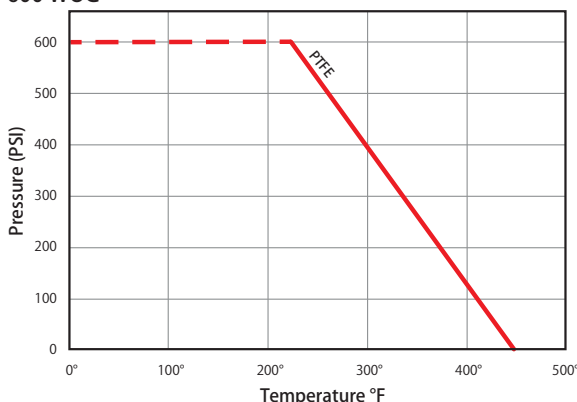
Dimensions

Part No.	Size	A	B	C	D	E
T-handle						
101-601	1/2" FL x 3/8" FL	2.98	1.63	2.32	0.47	0.40
101-602	3/8" FL x 3/8" FL	2.81	1.63	2.32	0.47	0.28
101-603	1/2" FL x 1/2" FL	3.14	1.63	2.32	0.47	0.40
101-604	5/8" FL x 5/8" FL	3.45	1.69	2.32	0.59	0.50

Teardrop Handle

101-612	3/8" FL x 3/8" FL	2.81	1.40	1.97	0.47	0.28
101-613	1/2" FL x 1/2" FL	3.14	1.40	1.97	0.47	0.40
101-614	5/8" FL x 5/8" FL	3.45	1.46	1.97	0.59	0.50

Valve Seat Rating 600 WOG



Note: Information subject to change without notice.

Gas Ball Valve



2 Piece • Flare x Female Connection • 600 WOG



T-handle

Teardrop Handle

T-204 FL x FIP

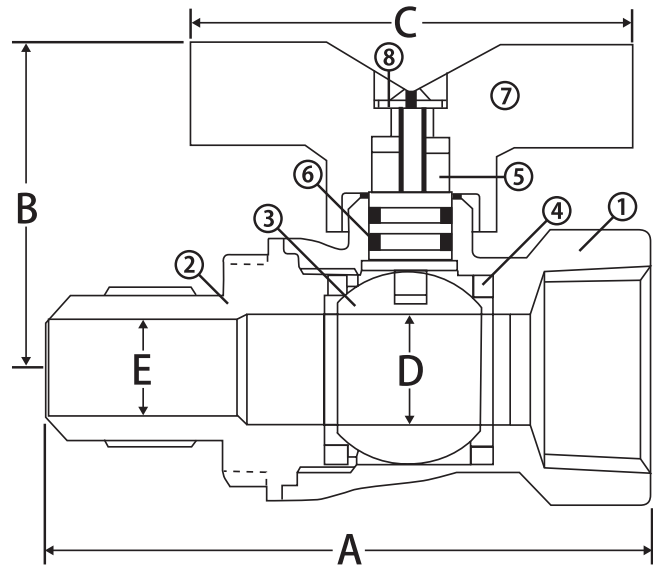
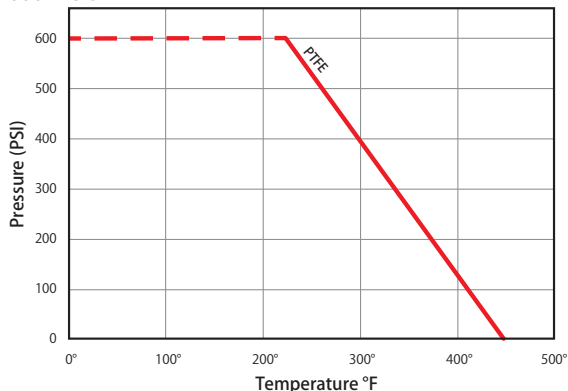
Features

- Valve can be locked in the closed position by reversing the handle
- 2 Viton® o-rings
- 100% leak tested
- Made in Italy
- Leakproof stem - Lifetime Warranty

Approvals

- UL Listed
 - YQNZ - Compressed gas shut-off valves
 - YRPV - Gas shut-off valves
 - YSDT - LP gas shut-off valves
 - MHKZ - Manual valves
 - YRBX - Flammable liquid shut-off valves
 - SFJQ - Valves, refrigerant
- CSA Certified
 - ANSI Z21.15 (.5 PSIG)
 - ASME B16.44 (5 PSI)
 - CGA CR91 (5 PSIG)
- Threads conform to ANSI B1.20.1

Valve Seat Rating 600 WOG



Material Specifications

No.	Part	Materials
1	Body	Brass - CW617N
2	End Connection	Brass - CW617N
3	Ball	Chrome Plated Brass - CW614N
4	Seat (2)	PTFE
5	Stem	Brass - CW614N
6	Stem O-ring (2)	Viton®
7	Handle	Aluminum
8	Handle Screw	Steel - Geomet® Plated

Dimensions

Part No.	Size	A	B	C	D	E
T-handle						
101-502	3/8" FL x 1/2" FIP	2.67	1.63	2.32	0.47	0.40
101-503	1/2" FL x 1/2" FIP	2.82	1.63	2.32	0.47	0.40
101-504	5/8" FL x 3/4" FIP	2.96	1.69	2.32	0.59	0.50
Teardrop Handle						
101-512	3/8" FL x 1/2" FIP	2.67	1.40	1.97	0.47	0.40
101-513	1/2" FL x 1/2" FIP	2.82	1.40	1.97	0.47	0.40

Note: Information subject to change without notice.

Gas Ball Valve

2 Piece • Male x Flare Connection • 600 WOG



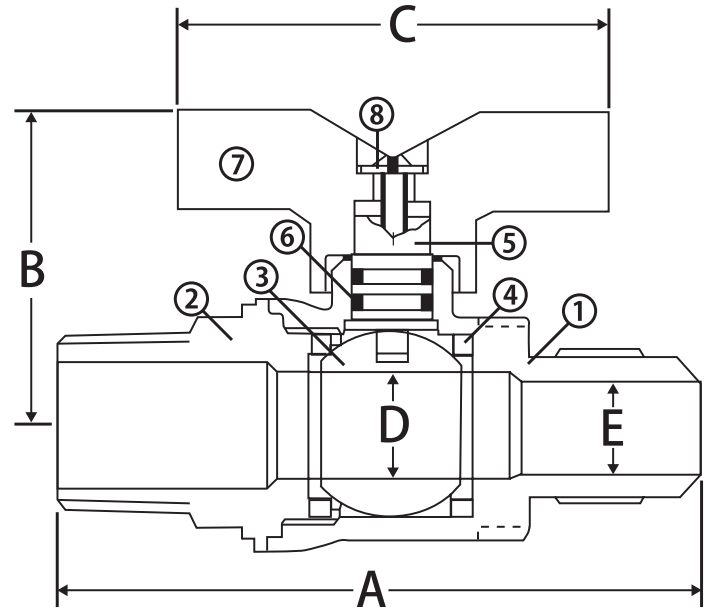
T-204 MIP x FL

Features

- Valve can be locked in the closed position by reversing the handle
- 2 Viton® o-rings
- 100% leak tested
- Made in Italy
- Leakproof stem - Lifetime Warranty

Approvals

- UL Listed
 - YQNZ - Compressed gas shut-off valves
 - YRPV - Gas shut-off valves
 - YSDT - LP gas shut-off valves
 - MHKZ - Manual valves
 - YRBX - Flammable liquid shut-off valves
 - SFJQ - Valves, refrigerant
- CSA Certified
 - ANSI Z21.15 (.5 PSIG)
 - ASME B16.44 (5 PSI)
 - CGA CR91 (5 PSIG)
- Threads conform to ANSI B1.20.1



Material Specifications

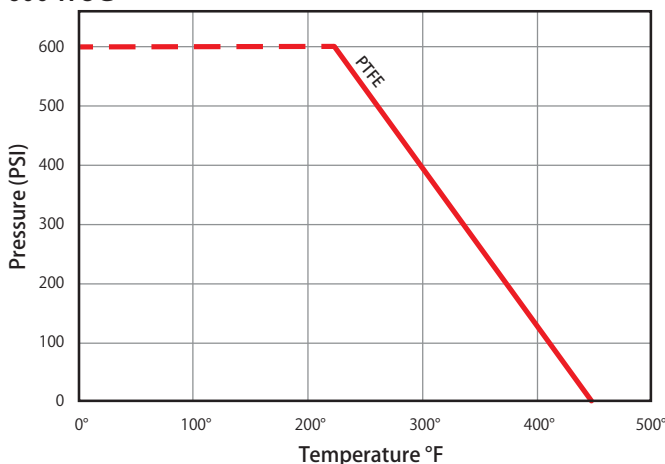
No.	Part	Materials
1	Body	Brass - CW617N
2	End Connection	Brass - CW617N
3	Ball	Chrome Plated Brass - CW614N
4	Seat (2)	PTFE
5	Stem	Brass - CW614N
6	Stem O-ring (2)	Viton®
7	Handle	Aluminum
8	Handle Screw	Steel - Geomet® Plated

Dimensions

Part No.	Size	A	B	C	D	E
101-702	1/2" MIP x 3/8" FL	2.84	1.63	2.32	0.47	0.40
101-703	1/2" MIP x 1/2" FL	3.00	1.63	2.32	0.47	0.40

Valve Seat Rating

600 WOG



Note: Information subject to change without notice.

Gas Ball Valve



2 Piece • Female Dielectric Union End x Female Connection • 600 WOG • with Side Tap



T-203DU FIP x FIP

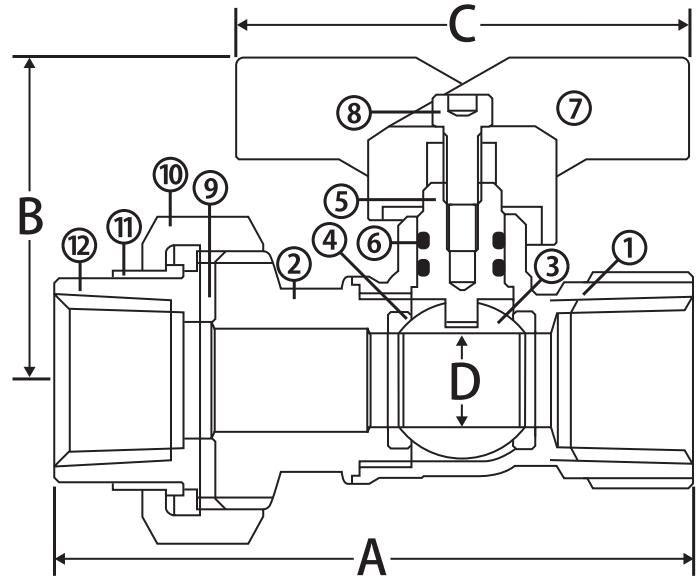
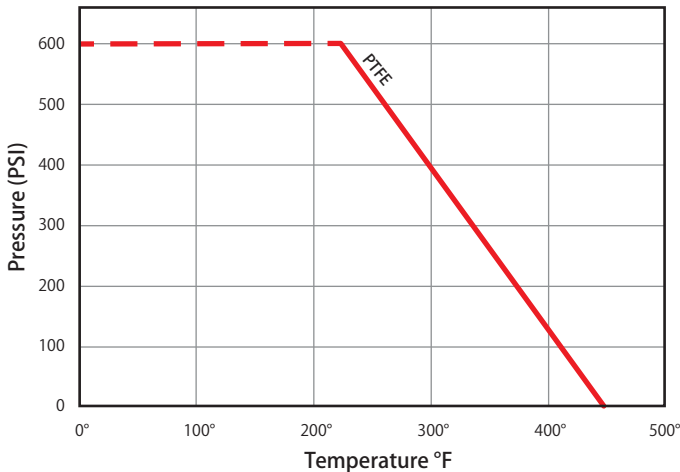
Features

- Eliminates need for test tee and labor to install
- Ideal for use outside in extremely cold climates
- Removable plug enables port for pressure gauge
- Valve can be locked in the closed position by reversing the handle
- 2 Viton® o-rings
- 1/8" side tap
- 100% leak tested
- Made in Italy
- Leakproof stem - Lifetime Warranty
- For sizes about 3/4" use T-100UE

Approvals

- UL Listed 842
- CSA Certified
 - ANSI Z21.15 (.5 PSIG)
 - ASME B16.44 (5 PSI)
 - CGA CR91 (5 PSIG)
- Threads conform to ANSI B1.20.1

Valve Seat Rating 600 WOG



Material Specifications

No.	Part	Materials
1	Body	Brass - CW617N
2	End Connection	Brass - CW617N
3	Ball	Chrome Plated Brass - CW614N
4	Seat (2)	PTFE
5	Stem	Brass - CW614N
6	Stem O-ring (2)	Viton®
7	Handle	Aluminum
8	Handle Screw	Steel - Geomet® Plated
9	Gasket	Buna-N
10	Union Nut	Brass - CW617N
11	Dielectric Ring	Nylon 6
12	Tail Piece	Brass - CW614N
13	Side Tap Plug*	Brass - CW614N
14	Side Tap Washer*	Buna-N
15	Side Tap Cap*	Brass - CW614N

* Not shown in drawing

Dimensions

Part No.	Size	A	B	C	D
102-313DU	1/2" FIP x 1/2" FIP	3.24	1.63	2.32	0.47
102-313DU	3/4" FIP x 3/4" FIP	3.55	1.79	2.32	0.59

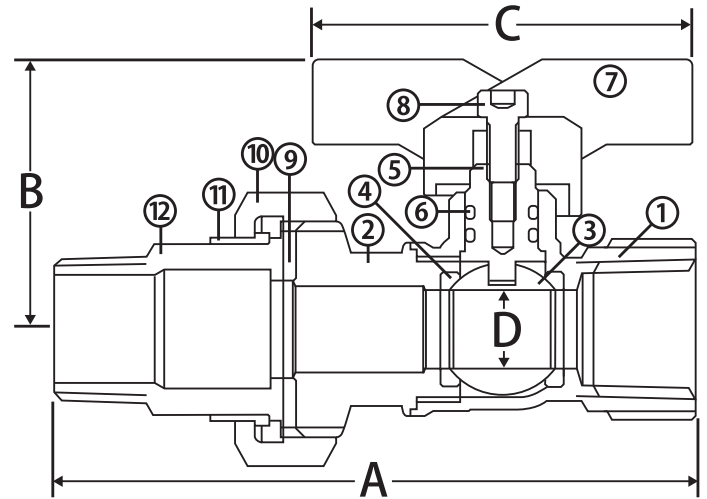
Note: Information subject to change without notice.

Gas Ball Valve

**2 Piece • Male Dielectric Union End x Female Connection •
600 WOG • with Side Tap**



T-203DU MIP x FIP



Features

- Eliminates need for test tee and labor to install
- Ideal for use outside in extremely cold climates
- Removable plug enables port for pressure gauge
- Valve can be locked in the closed position by reversing the handle
- 1/8" side tap
- 2 Viton® o-rings
- 100% leak tested
- Made in Italy
- Leakproof stem - Lifetime Warranty

Approvals

- UL Listed 842
- CSA Certified
 - ANSI Z21.15 (.5 PSIG)
 - ASME B16.44 (5 PSI)
 - CGA CR91 (5 PSIG)
- Threads conform to ANSI B1.20.1

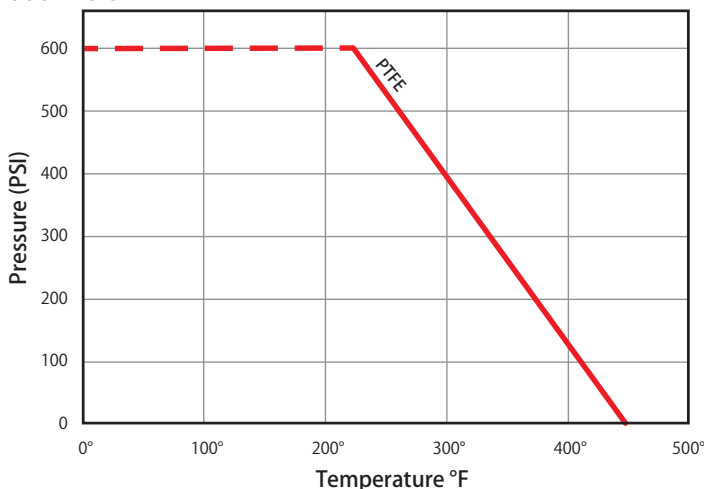
Material Specifications

No.	Part	Materials
1	Body	Brass - CW617N
2	End Connection	Brass - CW617N
3	Ball	Chrome Plated Brass - CW614N
4	Seat (2)	PTFE
5	Stem	Brass - CW614N
6	Stem O-ring (2)	Viton®
7	Handle	Aluminum
8	Handle Screw	Steel - Geomet® Plated
9	Gasket	Buna-N
10	Union Nut	Brass - CW617N
11	Dielectric Ring	Nylon 6
12	Tail Piece	Brass - CW614N
13	Side Tap Plug*	Brass - CW614N
14	Side Tap Washer*	Buna-N
15	Side Tap Cap*	Brass - CW614N

* Not shown in drawing

Valve Seat Rating

600 WOG



Dimensions

Part No.	Size	A	B	C	D
102-303DU	1/2" MIP x 1/2" FIP	4.07	1.63	2.32	0.47
102-304DU	3/4" MIP x 3/4" FIP	4.45	1.79	2.32	0.59

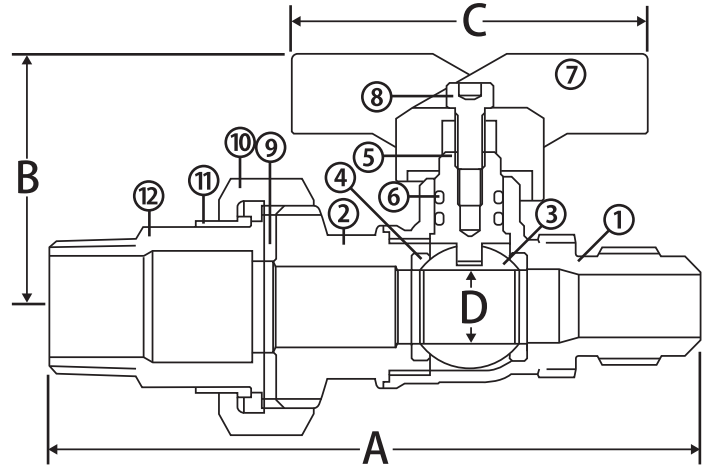
Gas Ball Valve



**2 Piece • Male Dielectric Union End x Flare Connection •
600 WOG • with Side Tap**



T-203DU MIP x FL



Features

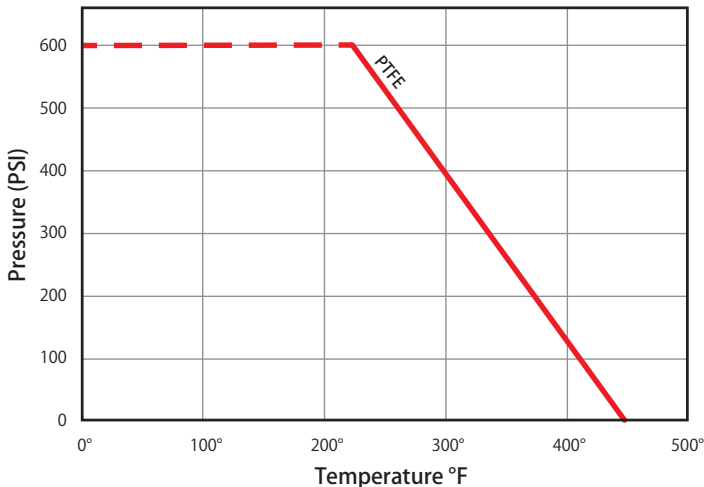
- Eliminates need for test tee and labor to install
- Ideal for use outside in extremely cold climates
- Removable plug enables port for pressure gauge
- Valve can be locked in the closed position by reversing the handle
- 2 Viton® o-rings
- 1/8" side tap
- 100% leak tested
- Made in Italy
- Leakproof stem - Lifetime Warranty

Approvals

- CSA Certified
 - ANSI Z21.15 (.5 PSIG)
 - ASME B16.44 (5 PSI)
 - CGA CR91 (5 PSIG)
- Threads conform to ANSI B1.20.1

Valve Seat Rating

600 WOG



Material Specifications

No.	Part	Materials
1	Body	Brass - CW617N
2	End Connection	Brass - CW617N
3	Ball	Chrome Plated Brass - CW614N
4	Seat (2)	PTFE
5	Stem	Brass - CW614N
6	Stem O-ring (2)	Viton®
7	Handle	Aluminum
8	Handle Screw	Steel - Geomet® Plated
9	Gasket	Buna-N
10	Union Nut	Brass - CW617N
11	Dielectric Ring	Nylon 6
12	Tail Piece	Brass - CW614N
13	Side Tap Plug*	Brass - CW614N

* Not shown in drawing

Dimensions

Part No.	Size	A	B	C	D
102-403DU	1/2" MIP x 1/2" FL	4.43	1.63	2.32	0.47

Note: Information subject to change without notice.

Gas Ball Valve

**2 Piece • Female Dielectric Union End x Flare Connection •
600 WOG • with Side Tap**



T-203DU FIP x FL

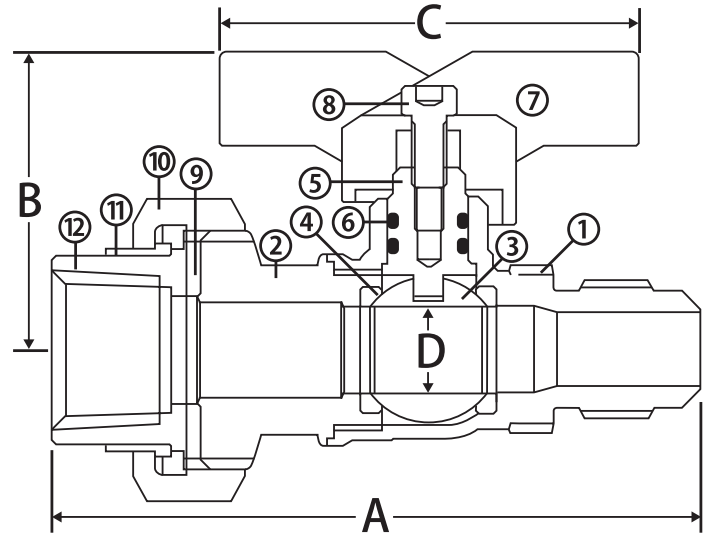
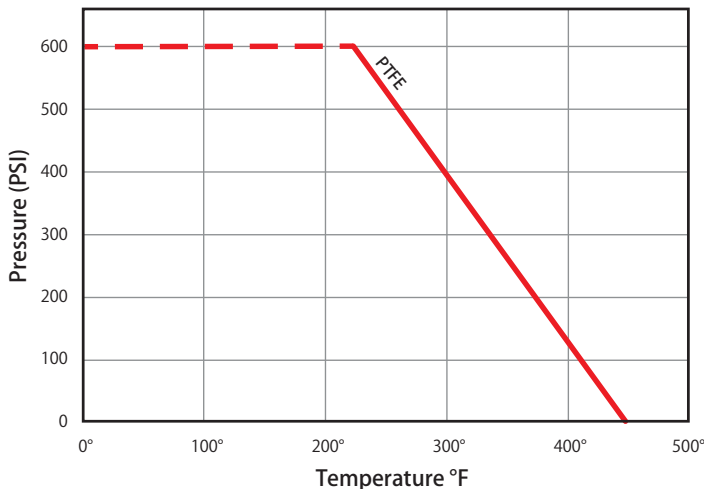
Features

- Eliminates need for test tee and labor to install
- Ideal for use outside in extremely cold climates
- Removable plug enables port for pressure gauge
- Valve can be locked in the closed position by reversing the handle
- 2 Viton® o-rings
- 1/8" side tap
- 100% leak tested
- Made in Italy
- Leakproof stem - Lifetime Warranty

Approvals

- CSA Certified
 - ANSI Z21.15 (.5 PSIG)
 - ASME B16.44 (5 PSI)
 - CGA CR91 (5 PSIG)
- Threads conform to ANSI B1.20.1

Valve Seat Rating 600 WOG



Material Specifications

No.	Part	Materials
1	Body	Brass - CW617N
2	End Connection	Brass - CW617N
3	Ball	Chrome Plated Brass - CW614N
4	Seat (2)	PTFE
5	Stem	Brass - CW614N
6	Stem O-ring (2)	Viton®
7	Handle	Aluminum
8	Handle Screw	Steel - Geomet® Plated
9	Gasket	Buna-N
10	Union Nut	Brass - CW617N
11	Dielectric Ring	Nylon 6
12	Tail Piece	Brass - CW614N
13	Side Tap Plug*	Brass - CW614N

* Not shown in drawing

Dimensions

Part No.	Size	A	B	C	D
102-413DU	1/2" FIP x 1/2" FL	3.65	1.63	2.32	0.47

Gas Ball Valve



2 Piece • Threaded Connection • 600 WOG • with Side Tap



T-203 FIP x FIP

Features

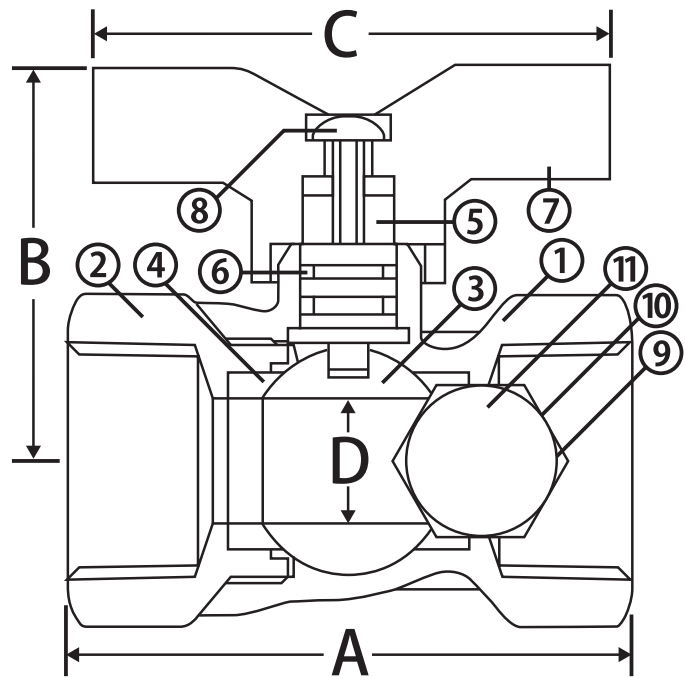
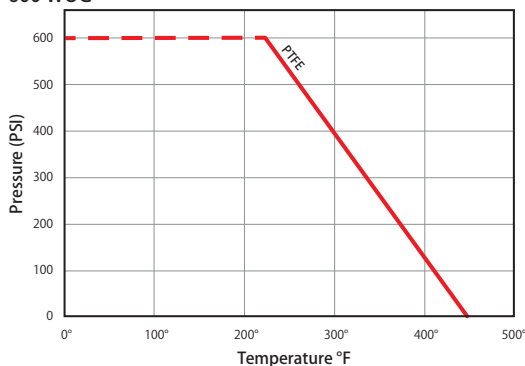
- Eliminates need for test tee and labor to install
- Ideal for use outside in extremely cold climates
- Removable plug enables port for pressure gauge
- Valve can be locked in the closed position by reversing the handle
- 2 Viton® o-rings
- 1/8" side tap
- 100% leak tested
- Made in Italy
- Leakproof stem - Lifetime Warranty
- For sizes about 3/4" use T-100STN

Approvals

- UL Listed
 - YQNZ - Compressed gas shut-off valves
 - YRPV - Gas shut-off valves
 - YSDT - LP gas shut-off valves
 - MHKZ - Manual valves
 - YRBX - Flammable liquid shut-off valves
 - SFJQ - Valves, refrigerant
- CSA Certified
 - ANSI Z21.15 (.5 PSIG)
 - ASME B16.44 (5 PSIG)
 - CGA CR91 (5 PSIG)
- Threads conform to ANSI B1.20.1

Valve Seat Rating

600 WOG



Material Specifications

No.	Part	Materials
1	Body	Brass - CW617N
2	End Connection	Brass - CW617N
3	Ball	Chrome Plated Brass - CW614N
4	Seat (2)	PTFE
5	Stem	Brass - CW614N
6	Stem O-ring (2)	Viton®
7	Handle	Aluminum
8	Handle Screw	Steel - Geomet® Plated
9	Side Tap Plug	Brass - CW614N
10	Side Tap Washer	Buna-N
11	Side Tap Cap	Brass - CW614N

Dimensions

Part No.	Size	A	B	C	D
102-301 FIP	1/4"	1.99	1.63	2.32	0.39
102-302 FIP	3/8"	1.99	1.63	2.32	0.47
102-303 FIP	1/2"	2.45	1.63	2.32	0.47
102-304 FIP	3/4"	2.63	1.69	2.32	0.59

Note: Information subject to change without notice.

Gas Ball Valve

2 Piece • Flare Connection • 600 WOG • with Side Tap



T-203 FL x FL

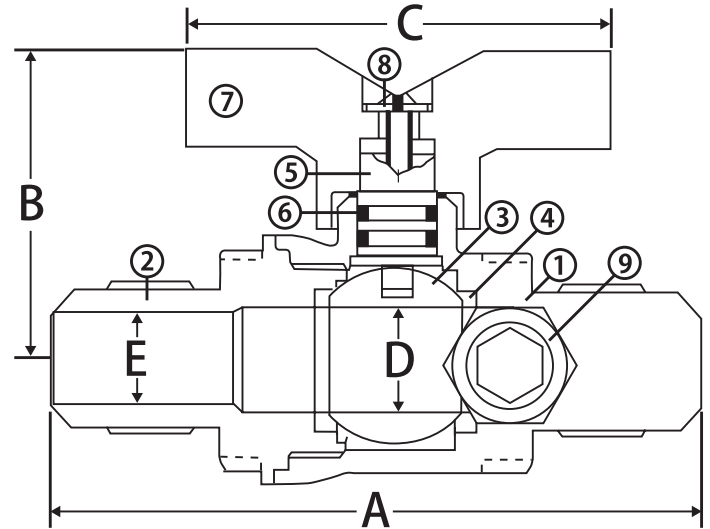
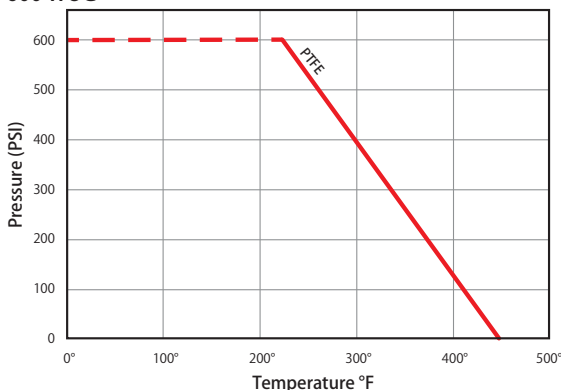
Features

- Eliminates need for test tee and labor to install
- Ideal for use outside in extremely cold climates
- Removable plug enables port for pressure gauge
- Valve can be locked in the closed position by reversing the handle
- 2 Viton® o-rings
- 1/8" side tap
- 100% leak tested
- Made in Italy
- Leakproof stem - Lifetime Warranty

Approvals

- UL Listed
 - YQNZ - Compressed gas shut-off valves
 - YRPV - Gas shut-off valves
 - YSDT - LP gas shut-off valves
 - MHKZ - Manual valves
 - YRBX - Flammable liquid shut-off valves
 - SFJQ - Valves, refrigerant
- CSA Certified
 - ANSI Z21.15 (.5 PSIG)
 - ASME B16.44 (5 PSI)
 - CGA CR91 (5 PSIG)
- Threads conform to ANSI B1.20.1

Valve Seat Rating 600 WOG



Material Specifications

No.	Part	Materials
1	Body	Brass - CW617N
2	End Connection	Brass - CW617N
3	Ball	Chrome Plated Brass - CW614N
4	Seat (2)	PTFE
5	Stem	Brass - CW614N
6	Stem O-ring (2)	Viton®
7	Handle	Aluminum
8	Handle Screw	Steel - Geomet® Plated
9	Side Tap Plug	Brass - CW614N

Dimensions

Part No.	Size	A	B	C	D	E
102-402	3/8" FL x 3/8" FL	2.91	1.63	2.32	0.47	0.28
102-403	1/2" FL x 1/2" FL	3.25	1.63	2.32	0.47	0.40
102-404	5/8" FL x 5/8" FL	3.62	1.69	2.32	0.59	0.50

Gas Ball Valve



2 Piece • Flare x FIP Connection • 600 WOG • with Side Tap



T-203 FL x FIP

Features

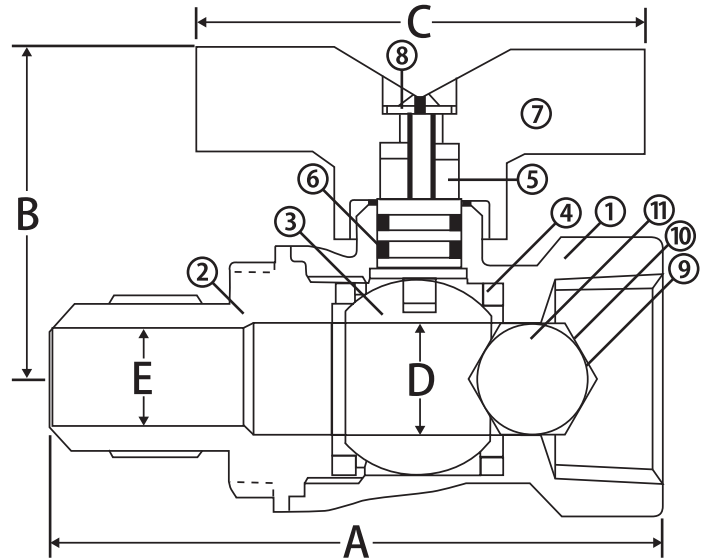
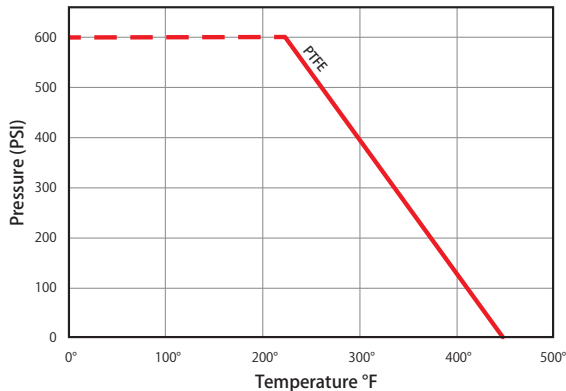
- Eliminates need for test tee and labor to install
- Ideal for use outside in extremely cold climates
- Removable plug enables port for pressure gauge
- Valve can be locked in the closed position by reversing the handle
- 2 Viton® o-rings
- 1/8" side tap
- 100% leak tested
- Made in Italy
- Leakproof stem - Lifetime Warranty

Approvals

- UL Listed
 - YQNZ - Compressed gas shut-off valves
 - YRPV - Gas shut-off valves
 - YSDT - LP gas shut-off valves
 - MHKZ - Manual valves
 - YRBX - Flammable liquid shut-off valves
 - SFJQ - Valves, refrigerant
- CSA Certified
 - ANSI Z21.15 (.5 PSIG)
 - ASME B16.44 (5 PSIG)
 - CGA CR91 (5 PSIG)
- Threads conform to ANSI B1.20.1

Valve Seat Rating

600 WOG



Material Specifications

No.	Part	Materials
1	Body	Brass - CW617N
2	End Connection	Brass - CW617N
3	Ball	Chrome Plated Brass - CW614N
4	Seat (2)	PTFE
5	Stem	Brass - CW614N
6	Stem O-ring (2)	Viton®
7	Handle	Aluminum
8	Handle Screw	Steel - Geomet® Plated
9	Side Tap Plug	Brass - CW614N
10	Side Tap Washer	Buna-N
11	Side Tap Cap	Brass - CW614N

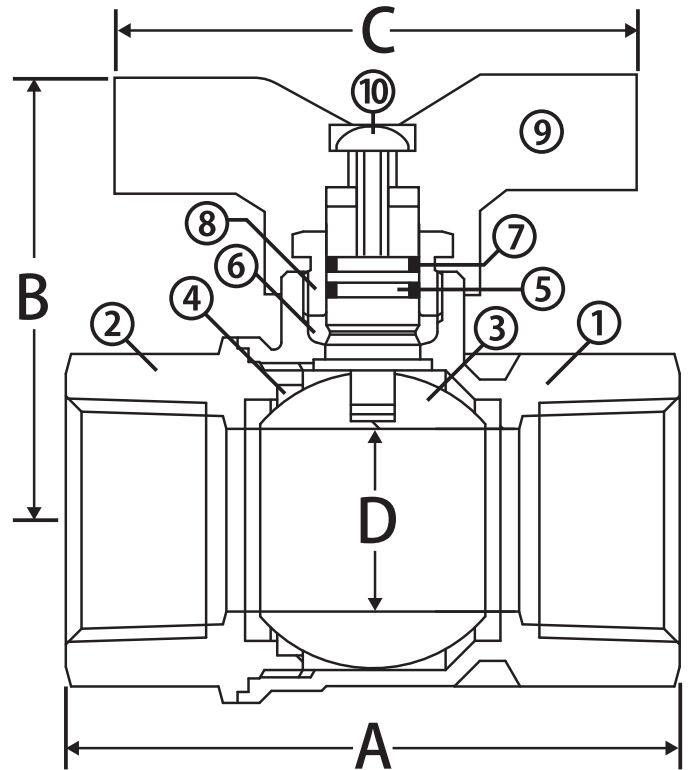
Dimensions

Part No.	Size	A	B	C	D	E
102-405	1/2" FL x 1/2" FIP	2.87	1.63	2.32	0.47	0.40

Note: Information subject to change without notice.

Gas Ball Valve

2 Piece • Threaded Connection • 400 WOG



Features

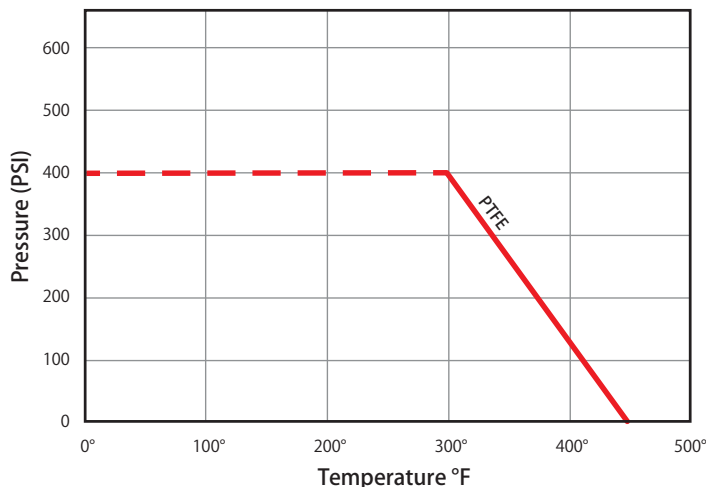
- Valve can be locked in the closed position by reversing the handle
- Triple sealing stem with 2 Viton® o-rings and Teflon® seal
- 100% leak tested
- Made in Italy
- Leakproof stem - Lifetime Warranty

Approvals

- CSA Certified
 - ANSI Z21.15 (.5 PSIG)
 - CGA 3.16 (125 PSIG)
- Threads conform to ANSI B1.20

Valve Seat Rating

400 WOG



Material Specifications

No.	Part	Materials
1	Body	Brass - CW617N
2	End Connection	Brass - CW617N
3	Ball	Chrome Plated Brass - CW617N
4	Seat (2)	PTFE
5	Stem	Brass - CW614N
6	Packing	PTFE
7	Stem O-ring (2)	Viton®
8	Packing Gland	Brass - CW614N
9	Handle	Aluminum
10	Handle Screw	Steel - Geomet® Plated

Dimensions

Part No.	Size	A	B	C	D
T-handle					
102-503	1/2" FIP	2.23	1.73	2.32	0.39
102-504	3/4" FIP	2.46	1.77	2.32	0.59
102-505	1" FIP	3.08	2.21	2.32	0.79
Teardrop Handle					
102-513	1/2" FIP	2.23	1.50	2.32	0.39
102-514	3/4" FIP	2.46	1.54	2.32	0.59

Gas Ball Valve

2 Piece • Threaded Connection



T-2005C

Features

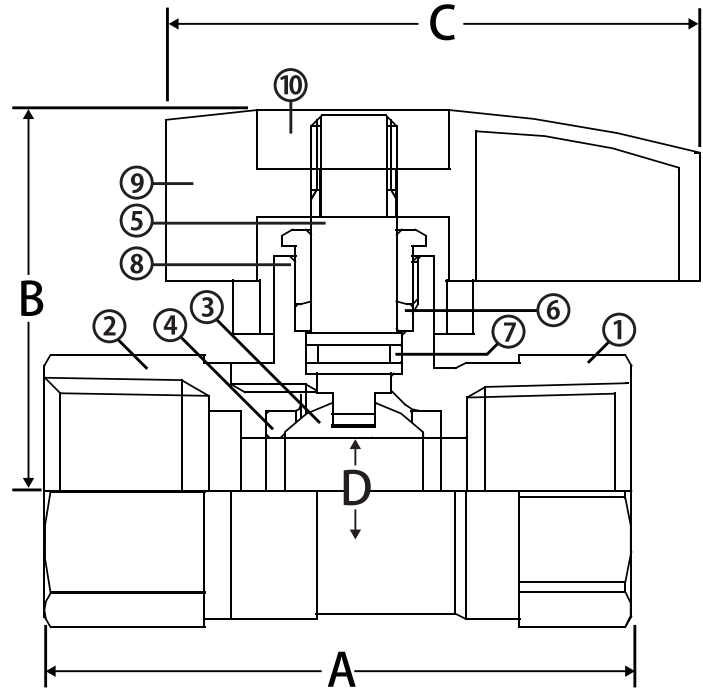
- Gland follower and single o-ring stem design
- Valve can be locked in the open or closed position by reversing the handle
- Buna-N o-ring
- 100% leak tested

Approvals

- UL Listed (1/2" - 3/4")
 - YSDT - LP gas shut-off valves
- CSA Certified
 - CGA 3.16 (125 PSIG)
 - ANSI Z21.15 (.5 PSIG)
 - CGA CR91 (5 PSIG)
 - ASME B16.44 (5 PSIG)
 - ASME B16.33 (125 PSIG)

Pressure Rating

- 125 PSIG
- Temp range: -20°F to 300°F



Material Specifications

No.	Part	Materials
1	Body	Brass - C37700
2	End Connection	Brass - C37700
3	Ball	Chrome Plated Brass - C37700
4	Seat (2)	PTFE
5	Stem	Brass - C37700
6	Packing	PTFE
7	Stem O-ring	Buna-N
8	Packing Gland	Brass - C37700
9	Handle	Aluminum
10	Handle Nut	Steel - Chrome Plated

Dimensions

Part No.	Size	A	B	C	D
102-603	1/2"	2.20	1.44	1.97	0.39
102-604	3/4"	2.35	1.57	1.97	0.59
102-605	1"	2.87	1.69	1.97	0.75

Note: Information subject to change without notice.

Gas Ball Valve

2 Piece • Flare Connection



T-2004C

Features

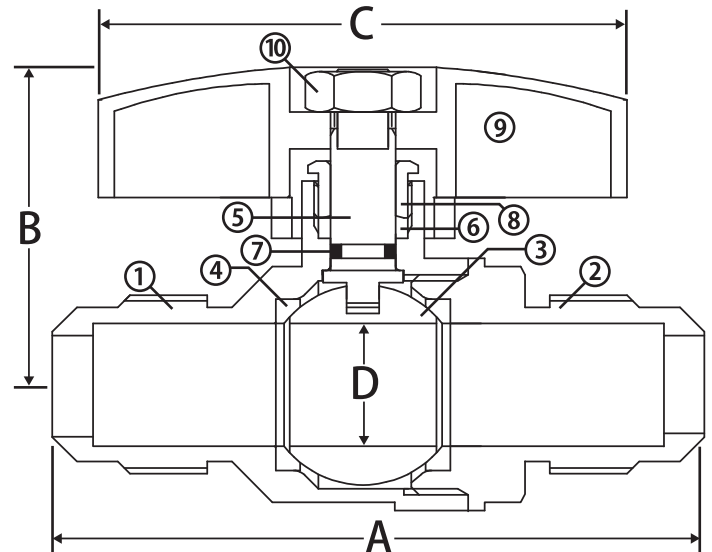
- Valve can be locked in the closed position by reversing the handle
- Gland follower and single o-ring stem design
- Plastic caps to protect flare connection and threads
- Buna-N o-ring
- 100% leak tested

Approvals

- UL Listed
 - YSDT - LP gas shut-off valves
- CSA Certified
 - ANSI Z21.15 (.5 PSIG) (5/8")

Pressure Rating

- 125 PSIG
- Temp range: -20°F to 300°F



Material Specifications

No.	Part	Materials
1	Body	Brass - C37700
2	End Connection	Brass - C37700
3	Ball	Chrome Plated Brass - C37700
4	Seat (2)	PTFE
5	Stem	Brass - C37700
6	Packing	PTFE
7	Stem O-ring	Buna-N
8	Packing Gland	Brass - C37700
9	Handle	Aluminum
10	Handle Nut	Steel - Chrome Plated

Dimensions

Part No.	Size	A	B	C	D
102-612	3/8" FL x 3/8" FL	2.42	1.44	2.28	0.28
102-613	1/2" FL x 1/2" FL	2.68	1.44	2.28	0.39
102-614	5/8" FL x 5/8" FL	3.12	1.52	2.28	0.47

Lockwing

Utility Gas Ball Valve • Full Port • 175 PSIG



175-LWN

Features

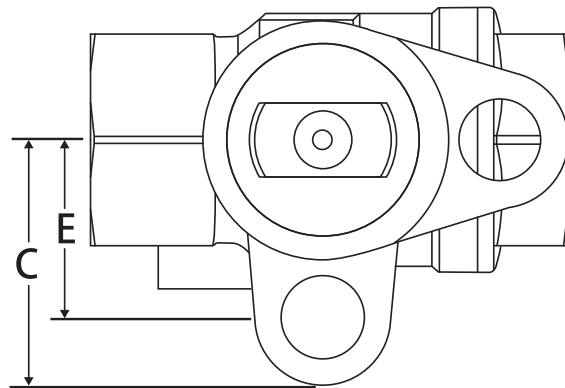
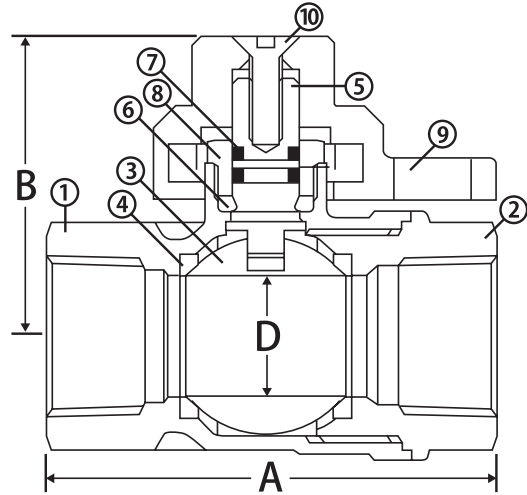
- Tamper resistant lockwing cap
- 2 Viton® o-rings
- 100% leak tested
- Made in Italy
- Leakproof stem - Lifetime Warranty

Approvals

- CSA Certified
 - CGA 3.16
- Meets or exceeds applicable part of DOT 192 and ANSI B16.33
- Threads conform to ANSI B1.20.1

Pressure Rating

- 175 PSIG
- Temp range: -40°F to 300°F



Material Specifications

No.	Part	Materials
1	Body*	Brass - CW617N
2	End Connection*	Brass - CW617N
3	Ball	Chrome Plated Brass - CW617N
4	Seat (2)	Hostafion® TFM 1600
5	Stem	Brass - CW614N
6	Packing	Rigid EPDM
7	Stem O-ring (2)	Viton®
8	Packing Gland	Brass - CW614N
9	Lockwing Cap*	Brass - CW617N
10	Screw	304 Stainless Steel

*Component may be T.E.A. coated or AGA painted depending upon selection

Dimensions

Part No.	Size	A	B	C	D	E
240-003_*	1/2"	2.74	1.87	1.50	0.59	1.08
240-004_	3/4"	2.91	1.87	1.50	0.79	1.08
240-005_	1"	3.40	2.24	1.73	0.97	1.30
240-006_	1-1/4"	3.82	2.46	1.93	1.23	1.50
240-007_	1-1/2"	4.21	3.03	2.20	1.49	1.73
240-008_	2"	5.00	3.33	2.52	1.99	2.05

_ = Specify coating: B = Brass, P = Painted, T = T.E.A. Coated

*Note: Only brass and painted available for 1/2"

Note: Information subject to change without notice.

Lockwing

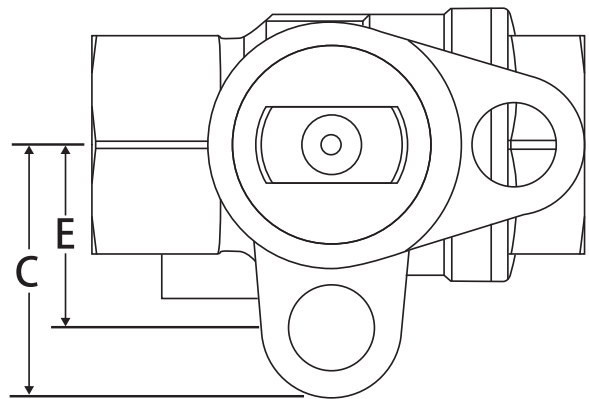
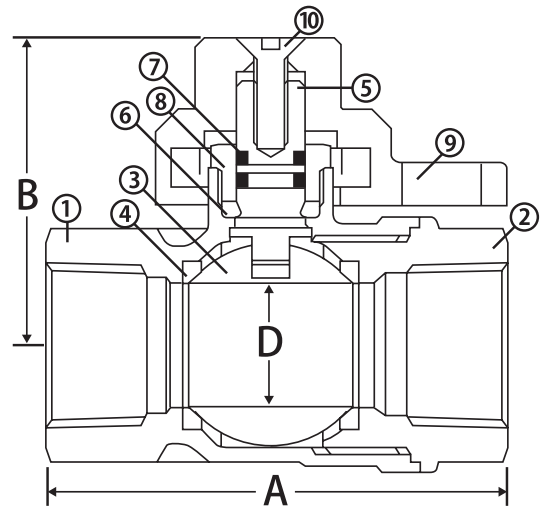
Utility Gas Ball Valve • Full Port • 125 PSIG



125-LWN



125-LWN MxF



Features

- Tamper resistant lockwing cap
- 2 Viton® o-rings
- 100% leak tested
- Made in Italy
- Leakproof stem - Lifetime Warranty

Approvals

- CSA Certified
 - CGA 3.16
- Meets or exceeds applicable part of DOT 192 and ANSI B16.33
- Threads conform to ANSI B1.20.1

Pressure Rating

- 125 PSIG
- Temp range: -40°F to 300°F

Material Specifications

No.	Part	Materials
1	Body*	Brass - CW617N
2	End Connection*	Brass - CW617N
3	Ball	Chrome Plated Brass - CW617N
4	Seat (2)	Hostaflon® TFM 1600
5	Stem	Brass - CW614N
6	Packing	Rigid EPDM
7	Stem O-ring (2)	Viton®
8	Packing Gland	Brass - CW614N
9	Lockwing Cap*	Brass - CW617N
10	Screw	304 Stainless Steel

*Component may be AGA painted depending upon selection

Dimensions

Part No.	Size	A	B	C	D	E
FIP x FIP						
242-004_	3/4"	2.91	1.87	1.50	0.79	1.08
242-005_	1"	3.40	2.24	1.73	0.97	1.30
MIP x FIP						
246-005B	1"	3.73	2.24	1.73	0.97	1.30

_ = Specify coating: B = Brass, P = Painted

Lockwing

Utility Gas Ball Valve • Full Port • 175 PSIG with Insulated Tail Piece



175-LWIN

Features

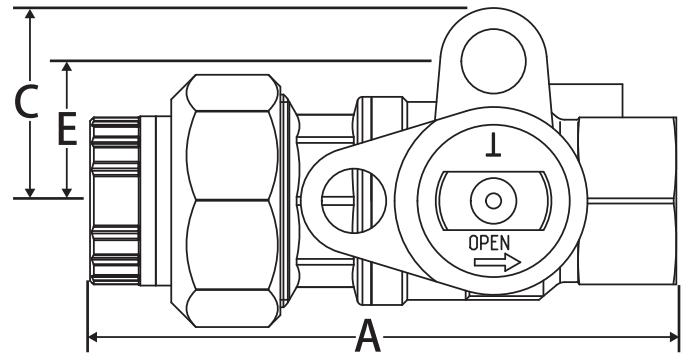
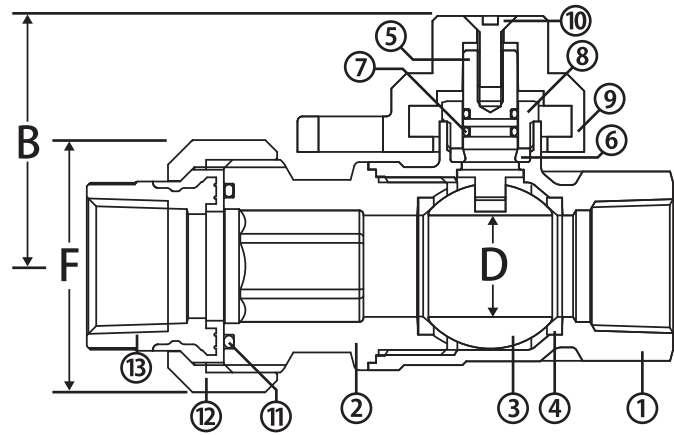
- Tamper resistant lockwing cap
- 2 Viton® o-rings
- 100% leak tested
- Made in Italy
- Leakproof stem - Lifetime Warranty

Approvals

- CSA Certified
 - CGA 3.16
- Meets or exceeds applicable part of DOT 192 and ANSI B16.33
- Thread conforms to ANSI B1.20.1

Pressure Rating

- 175 PSIG
- Temp range: -40°F to 300°F



Material Specifications

No.	Part	Materials
1	Body*	Brass - CW617N
2	End Connection*	Brass - CW617N
3	Ball	Chrome Plated Brass - CW617N
4	Seat (2)	Hostaflon® TFM 1600
5	Stem	Brass - CW614N
6	Packing	Rigid EPDM
7	Stem O-ring (2)	Viton®
8	Packing Gland	Brass - CW614N
9	Lockwing Cap*	Brass - CW617N
10	Screw	304 Stainless Steel
11	Union O-ring	Viton®
12	Union Nut*	Brass - CW617N
13	Insulated Tail Piece*	Zytel® / Brass - CW614N

*Component may be T.E.A. coated or AGA painted depending upon selection

Dimensions

Part No.	Size	A	B	C	D	E	F
241-004_	3/4"	4.58	1.87	1.50	0.79	1.08	1.81
241-005_*	1"	5.49	2.15	1.73	0.97	1.30	2.40
241-006_	1-1/4"	5.78	2.21	2.00	1.23	1.50	2.57

_ = Specify coating: D* = Brass, P = Painted, T = T.E.A. Coated

* For 1" Brass specify B rather than D

Lockwing

Utility Gas Ball Valve • Full Port • Service Bypass • 125 PSIG



125-LWBP

Features

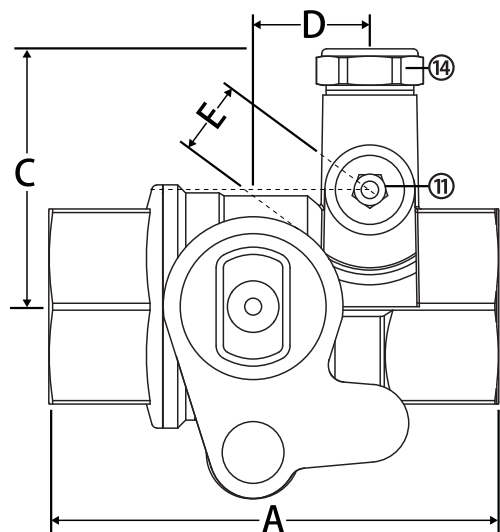
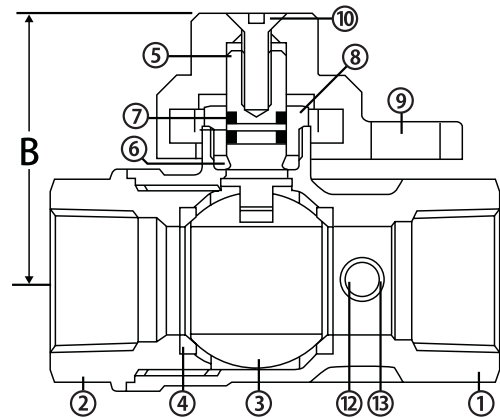
- Tamper resistant lockwing cap
- 2 Viton® o-rings
- 100% leak tested
- Made in Italy
- Leakproof stem - Lifetime Warranty
- Patented security shutter and lockwing tab
 - US Patent no. 6,648,009

Approvals

- Meets or exceeds applicable part of DOT 192 and ANSI B16.33
- Threads conform to ANSI B1.20.1

Pressure Rating

- 125 PSIG
- Temp range: -40°F to 300°F



Material Specifications

No.	Part	Materials
1	Body*	Brass - CW617N
2	End Connection*	Brass - CW617N
3	Ball	Chrome Plated Brass - CW617N
4	Seat (2)	Hostafion® TFM 1600
5	Stem	Brass - CW614N
6	Packing	Rigid EPDM
7	Stem O-ring (2)	Viton®
8	Packing Gland	Brass - CW614N
9	Lockwing Cap*	Brass - CW617N
10	Screw	304 Stainless Steel
11	Bypass Plug*	Brass - CW614N
12	Bypass Set Screw	Brass - CW614N
13	Bypass O-ring	Viton®
14	Bypass Cap*	Brass - CW614N

*Component may be AGA painted depending upon selection

Dimensions

Part No.	Size	A	B	C	D	E
244-005_	1"	3.65	2.21	2.18	0.95	0.59

_ = Specify coating: B = Brass, P = Painted

Lockwing

Utility Gas Ball Valve • Full Port • Service Bypass • 175 PSIG



175-LWBP

Features

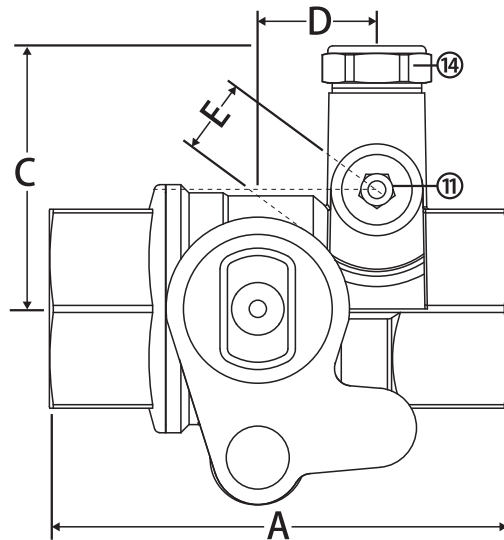
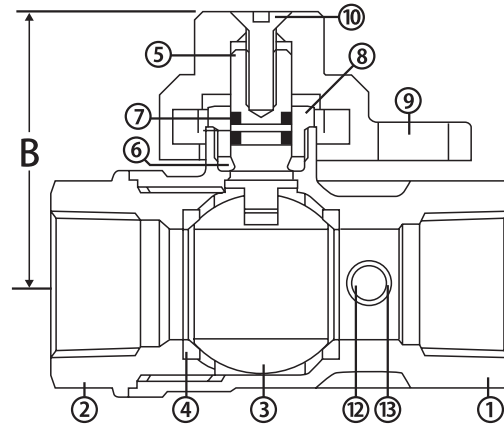
- Tamper resistant lockwing cap
- 2 Viton® o-rings
- 100% leak tested
- Made in Italy
- Leakproof stem - Lifetime Warranty
- Patented security shutter and lockwing tab
 - US Patent no. 6,648,009

Approvals

- Meets or exceeds applicable part of DOT 192 and ANSI B16.33
- Threads conform to ANSI B1.20.1

Pressure Rating

- 175 PSIG
- Temp range: -40°F to 300°F



Material Specifications

No.	Part	Materials
1	Body	Brass - CW617N
2	End Connection	Brass - CW617N
3	Ball	Chrome Plated Brass - CW617N
4	Seat (2)	Hostaflo® TFM 1600
5	Stem	Brass - CW614N
6	Packing	Rigid EPDM
7	Stem O-ring (2)	Viton®
8	Packing Gland	Brass - CW614N
9	Lockwing Cap	Brass - CW617N
10	Screw	304 Stainless Steel
11	Bypass Plug	Brass - CW614N
12	Bypass Set Screw	Brass - CW614N
13	Bypass O-ring	Viton®
14	Bypass Cap	Brass - CW614N

Dimensions

Part No.	Size	A	B	C	D	E
244-004B	3/4"	3.30	2.06	2.09	0.95	0.59

Note: Information subject to change without notice.

Lockwing

Utility Gas Ball Valve • Full Port • Service Bypass • 175 PSIG • with Insulated Tail Piece



175-LWIBP

Features

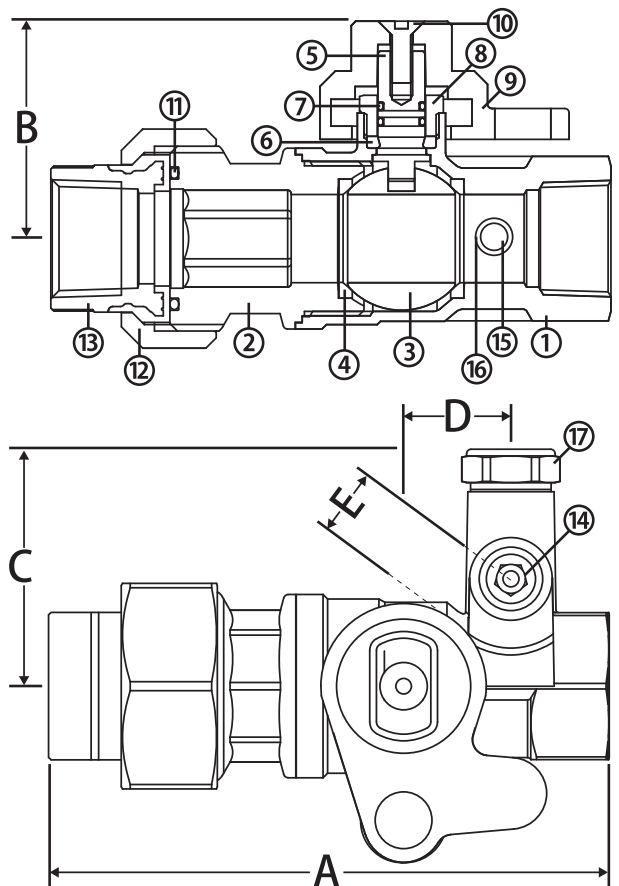
- Tamper resistant lockwing cap
- 2 Viton® o-rings
- 100% leak tested
- Made in Italy
- Leakproof stem - Lifetime Warranty
- Patented security shutter and lockwing tab
 - US Patent no. 6,648,009

Approvals

- Meets or exceeds applicable part of DOT 192 and ANSI B16.33
- Threads conform to ANSI B1.20.1

Pressure Rating

- 175 PSIG
- Temp range: -40°F to 300°F



Material Specifications

No.	Part	Materials
1	Body*	Brass - CW617N
2	End Connection*	Brass - CW617N
3	Ball	Chrome Plated Brass - CW617N
4	Seat (2)	Hostaflon® TFM 1600
5	Stem	Brass - CW614N
6	Packing	Rigid EPDM
7	Stem O-ring (2)	Viton®
8	Packing Gland	Brass - CW614N
9	Lockwing Cap*	Brass - CW617N
10	Screw	304 Stainless Steel
11	Union O-ring	Viton®
12	Union Nut*	Brass - CW617N
13	Insulated Tail Piece*	Zytel® / Brass - CW614N
14	Bypass Plug*	Brass - CW614N
15	Bypass Set Screw	Brass - CW614N
16	Bypass O-ring	Viton®
17	Bypass Cap*	Brass - CW614N

*Component may be AGA painted depending upon selection

Dimensions

Part No.	Size	A	B	C	D	E
243-004_	3/4"	4.71	2.06	2.09	0.95	0.59

_ = Specify coating: D = Brass, P = Painted

Lockwing



Utility Gas Ball Valve • Full Port • Service Bypass • 125 PSIG with Union Tail Piece



125-LWUBP

Features

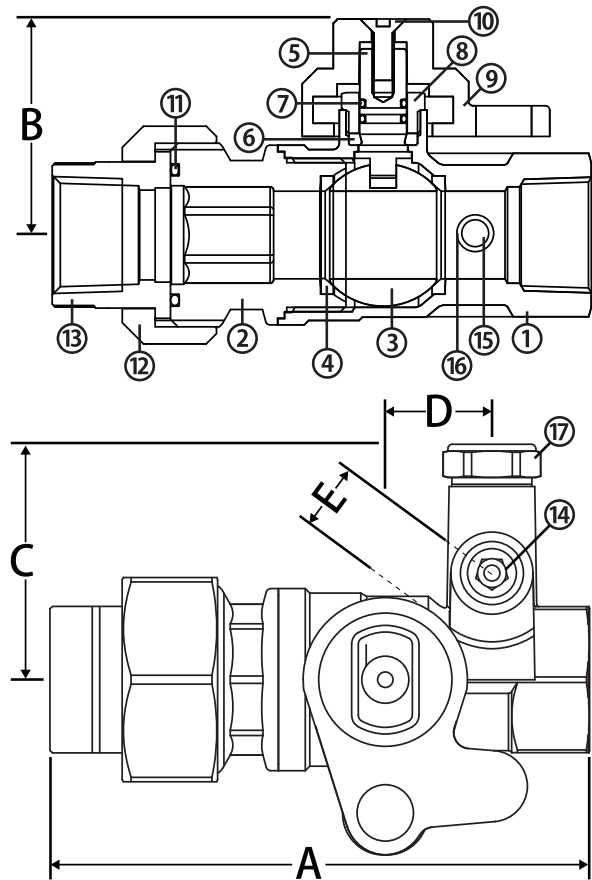
- Tamper resistant lockwing cap
- 2 Viton® o-rings
- 100% leak tested
- Made in Italy
- Leakproof stem - Lifetime Warranty
- Patented security shutter and lockwing tab
 - US Patent no. 6,648,009

Approvals

- Meets or exceeds applicable part of DOT 192 and ANSI B16.33
- Threads conform to ANSI B1.20.1

Pressure Rating

- 125 PSIG
- Temp range: -40°F to 300°F



Material Specifications

No.	Part	Materials
1	Body*	Brass - CW617N
2	End Connection*	Brass - CW617N
3	Ball	Chrome Plated Brass - CW617N
4	Seat (2)	Hostaflon® TFM 1600
5	Stem	Brass - CW614N
6	Packing	Rigid EPDM
7	Stem O-ring (2)	Viton®
8	Packing Gland	Brass - CW614N
9	Lockwing Cap*	Brass - CW617N
10	Screw	304 Stainless Steel
11	Union O-ring	Viton®
12	Union Nut*	Brass - CW617N
13	Tail Piece*	Brass - CW614N
14	Bypass Plug*	Brass - CW614N
15	Bypass Set Screw	Brass - CW614N
16	Bypass O-ring	Viton®
17	Bypass Cap*	Brass - CW614N

*Component may be AGA painted depending upon selection

Dimensions

Part No.	Size	A	B	C	D	E
244-105_	1"	4.50	2.21	2.18	0.95	0.59

_ = Specify coating: B = Brass, P = Painted

Note: Information subject to change without notice.

Commercial Lockwing

Utility Gas Ball Valve • Full Port • Service Bypass • 175 PSIG • with Insulated Tail Piece



175-LWIBP Commercial

Features

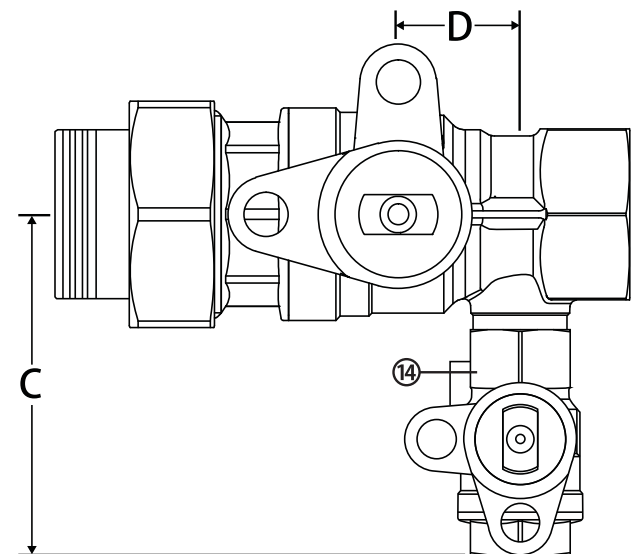
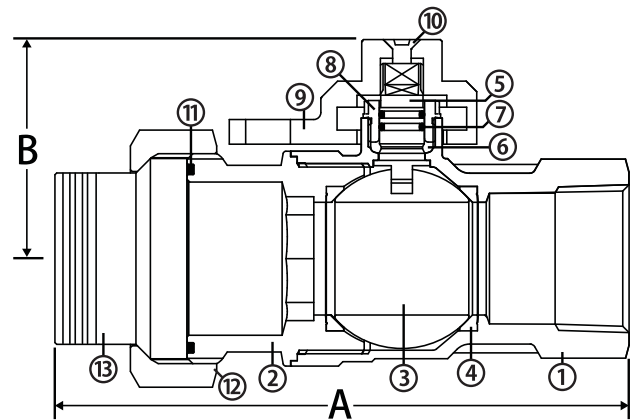
- Tamper resistant lockwing cap
- 2 Viton® o-rings
- 100% leak tested
- Made in Italy
- Leakproof stem - Lifetime Warranty

Approvals

- Meets or exceeds applicable part of DOT 192 and ANSI B16.33
- Threads conform to ANSI B1.20.1

Pressure Rating

- 175 PSIG
- Temp range: -40°F to 300°F



Material Specifications

No.	Part	Materials
1	Body*	Brass - CW617N
2	End Connection*	Brass - CW617N
3	Ball	Chrome Plated Brass - CW617N
4	Seat (2)	Hostaflon® TFM 1600
5	Stem	Brass - CW614N
6	Packing	Rigid EPDM
7	Stem O-ring (2)	Viton®
8	Packing Gland	Brass - CW614N
9	Lockwing Cap*	Brass - CW617N
10	Screw	304 Stainless Steel
11	Union O-ring	Viton®
12	Union Nut*	Brass - CW617N
13	Insulated Tail Piece*	Zytel® / Brass - CW614N
14	Bypass Valve	(See 125-LWN Spec Sheet)

Dimensions

Part No.	Size	A	B	C	D
243-006B	1-1/4"	6.75	2.23	4.35	0.93

Commercial Lockwing



Utility Gas Ball Valve • Full Port • Service Bypass • 175 PSIG



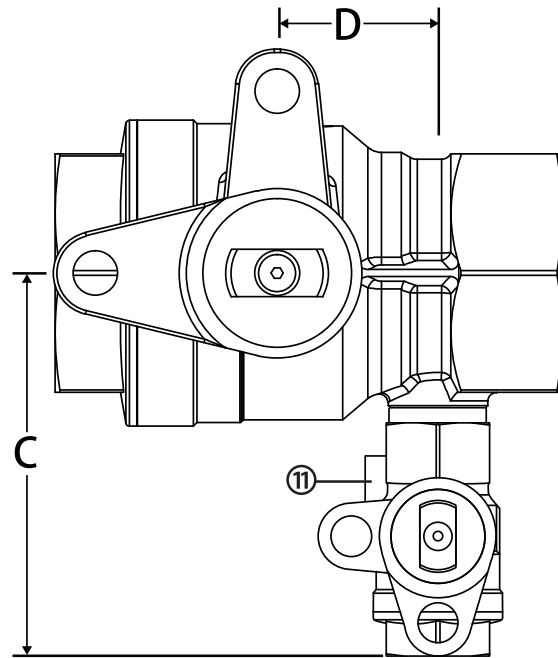
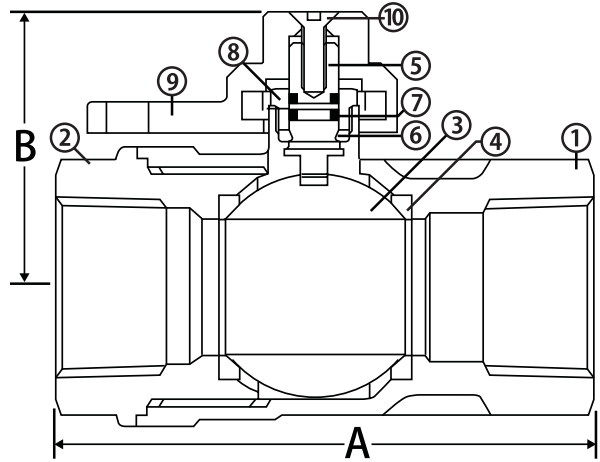
175-LWBP Commercial

Features

- Tamper resistant lockwing cap
- 2 Viton® o-rings
- 100% leak tested
- Made in Italy
- Leakproof stem - Lifetime Warranty
- Meets or exceeds applicable part of DOT 192 and ANSI B16.33
- Threads conform to ANSI B1.20.1

Pressure Rating

- 175 PSIG
- Temp range: -40°F to 300°F



Material Specifications

No.	Part	Materials
1	Body*	Brass - CW617N
2	End Connection*	Brass - CW617N
3	Ball	Chrome Plated Brass - CW617N
4	Seat (2)	Hostaflon® TFM 1600
5	Stem	Brass - CW614N
6	Packing	Rigid EPDM
7	Stem O-ring (2)	Viton®
8	Packing Gland	Brass - CW614N
9	Lockwing Cap*	Brass - CW617N
10	Screw	304 Stainless Steel
11	Bypass Valve	(See 125-LWN Spec Sheet)

Dimensions

Part No.	Size	A	B	C	D
244-008B	2"	5.73	3.28	4.73	1.56

Note: Information subject to change without notice.

Lockwing

Utility Gas Ball Valve • Full Port • Service Bypass • 175 PSIG • with Insulated Extended Male Tail Piece



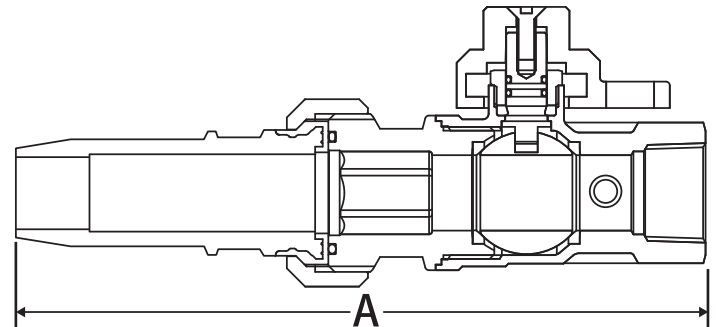
175-LWIBP-EXT

Features

- Tamper resistant lockwing cap
- 100% leak tested
- Made in Italy
- Leakproof stem - Lifetime Warranty
- Patented security shutter and lockwing tab
 - US Patent no. 6,648,009

Approvals

- Meets or exceeds applicable part of DOT 192 and ANSI B16.33
- Threads conform to ANSI B1.20.1



Material Specifications

- See specs for 175-LWIBP on page 107

Dimensions

Part No.	Size	A
243-004EXT	3/4"	7.63

Pressure Rating

- 175 PSIG
- Temp range: -40°F to 300°F

Extended Tail Piece

Insulated Extended Male Tail Piece



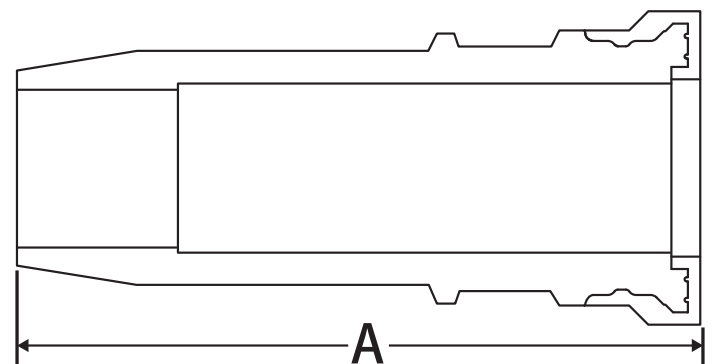
Extended Male Tail Piece

Features

- To be ordered in conjunction with 175-LWIN
- 100% leak tested
- Made in Italy

Pressure Rating

- 175 PSIG
- Temp range: -40°F to 300°F



Material Specifications

No.	Part	Materials
1	Tail piece	Brass - CW617N

Dimensions

Part No.	Size	A
241-004EUM	3/4"	3.69

Direct Mount Ball Valve



**2 Piece • Full Port • Threaded Connection • 600 WOG •
with ISO Mounting Pad**



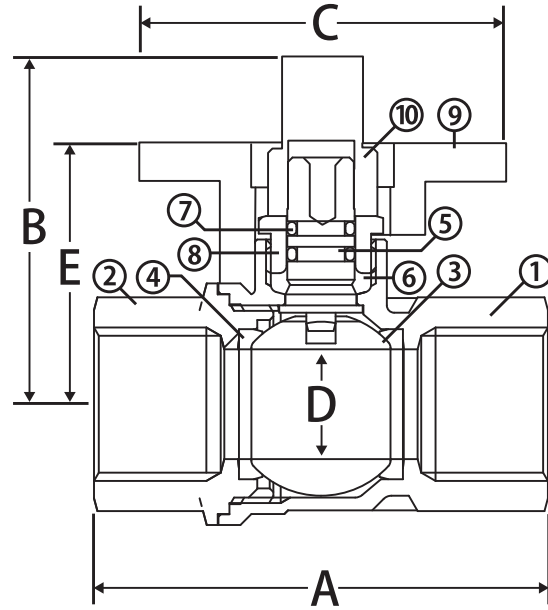
T-100 Direct Mount Series

Features

- Blow-out proof stem
- ISO 5211 mounting pad
- 100% leak tested

Approvals T-100NE

- UL Listed 842 (49RO) (1/4" - 2")
 - VQGU - Trim & drain
 - MHKZ - Manual valves (T-100NE only)
 - YQNZ - Compressed gas shut-off valves (T-100NE only)
 - YRBX - Flammable liquid shut-off valves (T-100NE only)
 - YRPV - Gas shut-off valves (T-100NE only)
 - YSDT - LP gas shut-off valves (T-100NE only)
 - SFJQ - Valves, refrigerant (T-100NE only)
- NSF 61-8 Certified (1/4" - 2") tested at 180° F (CHW)
- CSA Certified (1/2" - 2" T-100SSE)
- FM Approval (1/4" - 2")
- Delta C (T-100NE only)
- Conforms to MSS SP-110



Dimensions

Part No.	Size	A	B	C	D	E	Torque	ISO	SQ
T-100NE									
100-701	1/4"	1.86	1.77	1.97	0.39	1.26	23	F03/F05	0.43
100-702	3/8"	1.86	1.77	1.97	0.39	1.26	23	F03/F05	0.43
100-703	1/2"	2.45	1.95	1.97	0.59	1.50	35	F03/F05	0.43
100-704	3/4"	2.71	2.10	1.97	0.79	1.43	62	F03/F04/F05	0.43
100-705	1"	3.30	2.63	1.97	0.97	2.12	89	F05	0.43
100-706	1-1/4"	3.80	2.81	1.97	1.23	2.35	132	F05	0.43
100-707	1-1/2"	4.16	2.44	2.79	1.49	2.84	177	F05/F07	0.55
100-708	2"	5.00	3.65	2.79	1.99	3.17	222	F05/F07	0.55
T-100SSE									
100-501	1/4"	1.86	1.77	1.97	0.39	1.26	23	F03/05	.43
100-502	3/8"	1.86	1.77	1.97	0.39	1.26	23	F03/05	.43
100-503	1/2"	2.45	1.95	1.97	0.59	1.50	35	F03/05	.43
100-504	3/4"	2.71	2.10	1.97	0.79	1.43	62	F03/04/05	.43
100-505	1"	3.30	2.63	1.97	0.97	2.12	89	F05	.43
100-506	1-1/4"	3.80	2.81	1.97	1.23	2.35	132	F05	.43
100-507	1-1/2"	4.16	2.44	2.79	1.49	2.84	177	F05/07	.55
100-508	2"	5.00	3.65	2.79	1.99	3.17	222	F05/07	.55

Note: Torque is in (in/lb)

Material Specifications

No.	Part	Materials
1	Body*	Brass - CW617N
2	End Connection*	Brass - CW617N
3	Ball**	T.E.A. Coated Brass - CW617N
4	Seat (2)	Hostaflon® TFM 1600
5	Stem**	Brass - CW614N
6	Packing	Hostaflon® TFM 1600
7	Stem O-Ring (2)	Viton®
8	Packing Gland*	Brass - CW614N
9	Mounting Pad	Brass - CW614N
10	Stem Adapter	302 Stainless Steel
11	Set Screw † (2)	Stainless Steel

*Component may be T.E.A. Coated Depending upon selection

**Component may be 316 Stainless Steel Depending upon selection

† Component not shown in drawing

Direct Mount Ball Valve

3 Piece 4 Bolt • Full Port • Threaded Connection • 1000 WOG • with ISO Mounting Pad



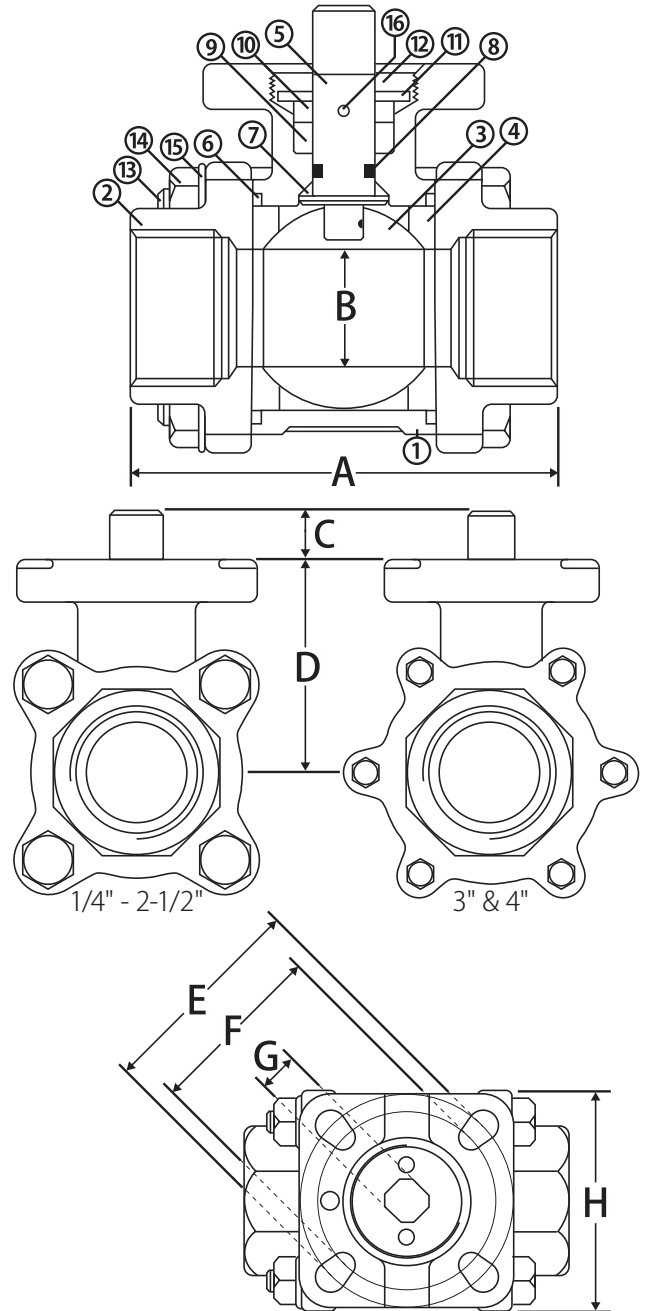
A1000

Features

- ISO 5211 mounting pad
- 3-piece swing out body

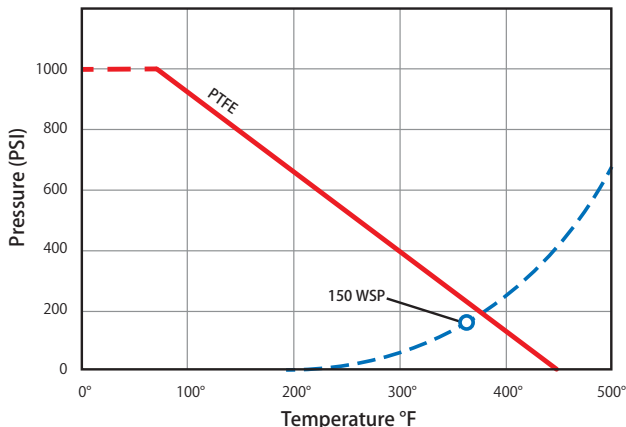
Material Specifications

No.	Part	Materials
1	Body	CF8M Stainless Steel
2	End Cap (2)	CF8M Stainless Steel
3	Ball	CF8M Stainless Steel
4	Seat (2)	PTFE
5	Stem	316 Stainless Steel
6	Body Seal (2)	PTFE
7	Stem Seal	PTFE
8	Stem O-Ring	Viton®
9	Packing (2)	PTFE
10	Packing Ring	304 Stainless Steel
11	Belleville washer (2)	301 Stainless Steel
12	Packing Plate	304 Stainless Steel
13	Body Bolt (4 or 6)	304 Stainless Steel
14	Body Nut (4 or 6)	304 Stainless Steel
15	Lock Washer (8 or 12)	304 Stainless Steel
16	Anti-Static Device (2)	316 Stainless Steel



Valve Seat Rating

1000 WOG - 150 WSP



Dimensions

Part No.	Size	A	B	C	D	E	F	G	H	Torque	ISO
A1000-14	1/4"	2.56	0.39	0.28	1.65	1.65	1.41	0.35	1.83	40	F03/4
A1000-38	3/8"	2.56	0.39	0.28	1.65	1.65	1.41	0.35	1.83	40	F03/4
A1000-12	1/2"	2.96	0.63	0.35	1.57	1.65	1.41	0.35	1.65	40	F03/4
A1000-34	3/4"	3.15	0.88	0.35	1.73	1.65	1.41	0.35	1.65	60	F03/4
A1000-1	1"	3.55	1.13	0.43	2.04	1.97	1.65	0.43	1.97	70	F04/5
A1000-114	1-1/4"	4.33	1.38	0.43	2.28	1.97	1.65	0.43	1.97	110	F04/5
A1000-112	1-1/2"	4.75	1.63	0.55	2.67	2.75	1.97	0.55	2.75	170	F05/7
A1000-2	2"	5.52	1.97	0.55	3.00	2.75	1.97	0.55	2.75	250	F05/7
A1000-212	2-1/2"	7.29	2.55	0.70	3.86	4.01	2.75	0.67	4.01	650	F07/10
A1000-3	3"	8.00	3.00	0.70	4.33	4.01	2.75	0.67	4.01	850	F07/10
A1000-4	4"	9.50	3.93	0.94	4.96	4.92	4.01	0.86	4.92	950	F10/12

Note: Torque is in (in/lb)

Direct Mount Ball Valve



**2 Piece • Full Port • Flanged Connection • Class 150 •
with ISO Mounting Pad**

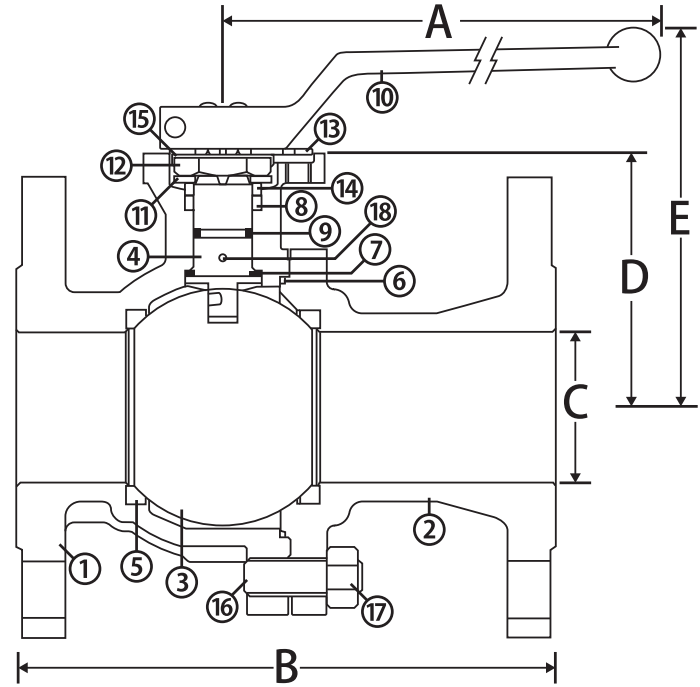


A2020D

CRN# 0C0837.9C

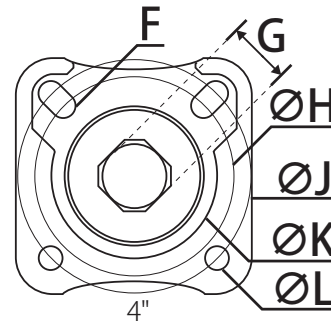
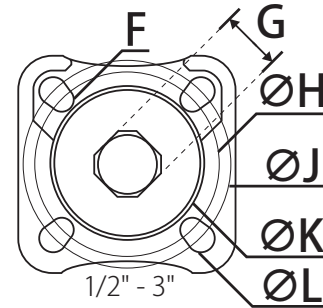
Features

- Vented ball for safety precautions
- ISO 5211 / DIN 3337 direct mounting pad
- Blow-out proof stem
- ANSI B16.34 and B16.35, Class 150
- Carbon stainless available upon request
- 100% tested
- AVS High vacuum rating

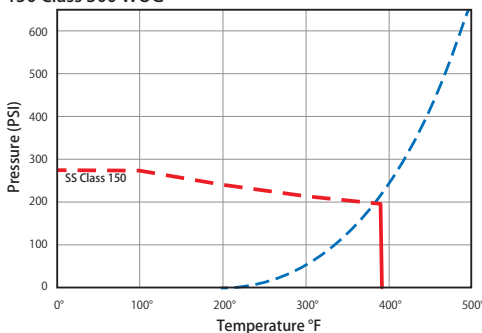


Material Specifications

No.	Part	Materials
1	Body	ASTM A351-CF8M
2	Cap	ASTM A351-CF8M
3	Ball	ASTM A351-CF8M
4	Stem	ASTM A276-316
5	Ball Seat	RTFE
6	Gasket	Graphite
7	Thrust Washer	CPTFE
8	Packing	Graphite
9	O-ring	Viton
10	Handle	ASTM A351-CF8
11	Disc Spring	50CrV4
12	Stem Nut	AISI 304
13	Lock Device	AISI 304
14	Gland Ring	AISI 304
15	Lock Washer	AISI 304
16	Bolt	AISI 304
17	Nut	AISI 304
18	Anti-static device	ASTM A27L-316



Valve Seat Rating
150 Class 300 WOG



Dimensions

Part No.	Size	A	B	C	D	E	F	G	ØH	ØJ	ØK	ØL	ISO	Torque
A2020D-12	1/2"	7.48	4.25	0.59	2.03	2.95	0.11	0.35	1.42	1.65	1.22	0.11	F03/F04	117
A2020D-34	3/4"	7.48	4.61	0.79	2.17	3.15	0.11	0.35	1.42	1.65	1.22	0.11	F03/F04	138
A2020D-1	1"	7.48	5.00	0.94	2.28	3.35	0.11	0.43	1.65	1.97	1.40	0.14	F04/F05	159
A2020D-114	1-1/4"	7.48	5.51	1.18	2.44	3.50	0.11	0.43	1.65	1.97	1.40	0.14	F04/F05	200
A2020D-112	1-1/2"	8.07	6.50	1.50	2.99	4.06	0.14	0.55	1.97	2.76	2.20	0.18	F05/F07	283
A2020D-2	2"	8.07	7.01	1.97	3.33	4.37	0.14	0.55	1.97	2.76	2.20	0.18	F05/F07	563
A2020D-212	2-1/2"	8.66	7.52	2.52	4.11	4.80	0.18	0.67	2.76	4.02	2.99	0.22	F07/F10	903
A2020D-3	3"	8.66	7.99	2.99	4.39	5.12	0.18	0.67	2.76	4.02	2.99	0.22	F07/F10	1018
A2020D-4	4"	9.45	9.02	3.94	5.35	5.51	0.22	0.87	3.62	4.02	2.80	0.22	F10	1252

Note: Torque is in (in/lb)

Note: Information subject to change without notice.

Direct Mount Ball Valve

Reduced Port • 3-Way Flanged Connection • Class 150



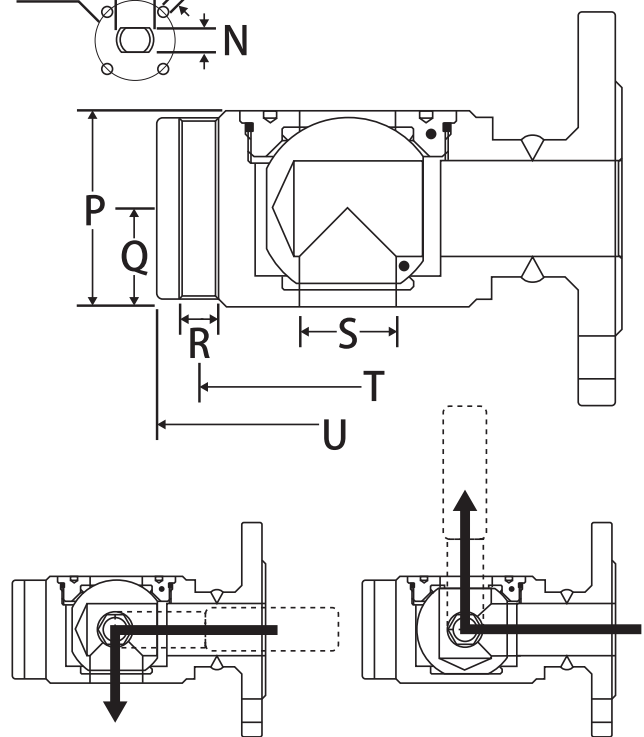
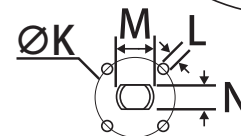
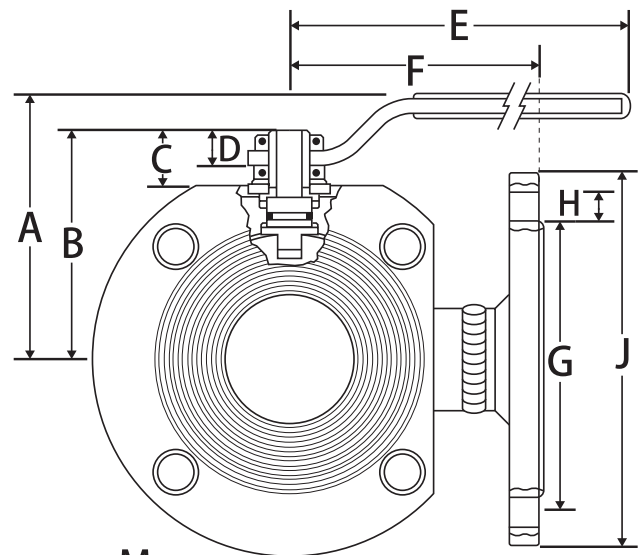
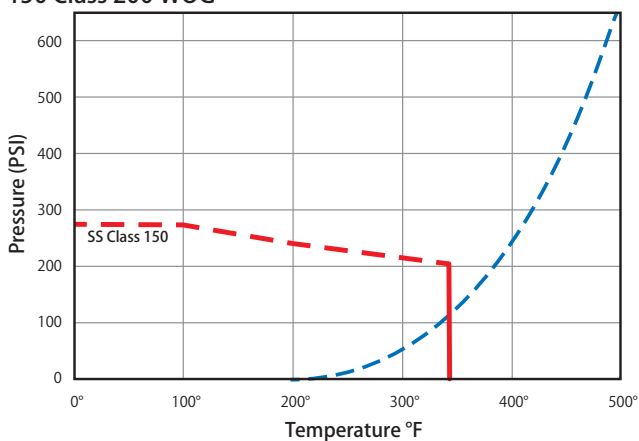
A-766L

Features

- Compact design
- AISI 316 stainless steel
- ANSI 150 flanged
- Max Temp 344°F
- Blow out proof stem
- 100% tested
- L port style
- T-port available upon request
- Contact Jomar Valve for material specs

Valve Seat Rating

150 Class 200 WOG



Dimensions

Part No.	Size	A	B	C	D	E	F	H	J	ØK	L	M	N	P	Q	R	S	T	U
A766L-12	1/2"	2.54	1.85	0.61	0.35	5.17	2.99	4 x 0.62	3.50	F03	4 x M5	0.39	0.27	1.57	0.78	4x1/2"	0.39	2.38	3.50
A766L-34	3/4"	2.71	1.95	0.53	0.35	5.17	3.23	4 x 0.62	3.88	F03	4 x M5	0.39	0.27	1.57	0.78	4x1/2"	0.59	2.75	3.88
A766L-1	1"	3.17	2.32	0.70	0.49	6.87	3.38	4 x 0.62	4.25	F04	4 x M5	0.47	0.31	1.81	0.90	4x1/2"	0.78	3.12	4.25
A766L-114	1-1/4"	3.33	2.52	0.61	0.45	6.87	3.93	4 x 0.62	4.62	F04	4 x M5	0.47	0.31	2.28	1.14	4x1/2"	0.98	3.50	4.62
A766L-112	1-1/2"	4.03	3.07	0.96	0.51	9.86	4.13	4 x 0.62	5.00	F05	4 x M6	0.63	0.39	2.79	1.39	4x1/2"	1.26	3.88	5.00
A766L-2	2"	4.29	3.35	0.98	0.53	9.86	4.52	4 x 0.75	6.00	F05	4 x M6	0.63	0.39	3.22	1.61	4x5/8"	1.57	4.75	6.00
A766L-212	2-1/2"	4.29	4.11	1.10	0.71	12.65	4.92	4 x 0.75	7.00	F07	4 x M8	0.78	0.55	4.17	2.08	4x5/8"	1.97	5.50	7.00
A766L-3	3"	5.37	4.45	1.10	0.71	12.65	5.90	4 x 0.75	7.50	F07	4 x M8	0.78	0.55	4.80	2.40	4x5/8"	2.52	6.00	7.50
A766L-4	4"	6.12	5.35	1.36	0.86	15.01	6.26	8 x 0.75	9.00	F10	4 x M10	0.94	0.70	5.98	2.99	8x5/8"	2.99	7.50	9.00

Note: Information subject to change without notice.

Direct Mount Ball Valve



**3-Way • Standard Port • Threaded Connection • 400 WOG •
with ISO Mounting Pad**



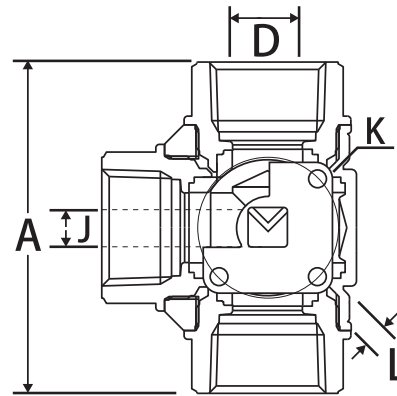
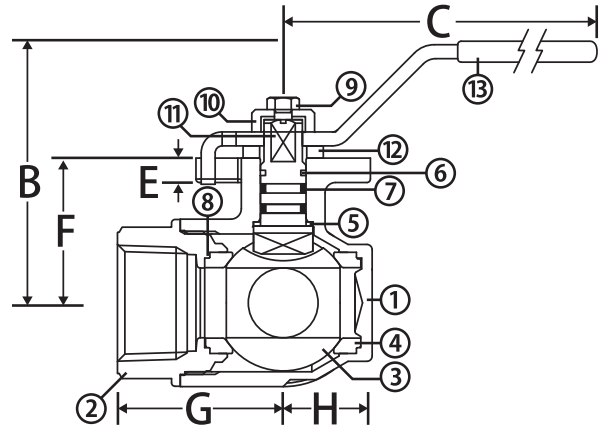
A750T/L

Features

- ISO 5211 direct mounting pad
- Square valve stem for direct mounting to any ISO actuator
- Four seats standard
- Temperatures to 344°F
- Blow-out proof stem

Material Specifications

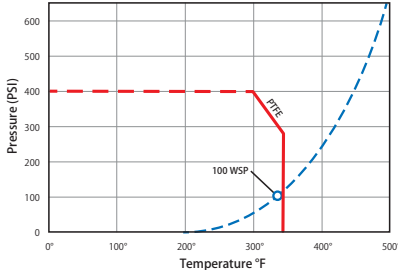
No.	Part	Materials
1	Body	Brass - CW617N
2	End Connection (3)	Brass - CW617N
3	Ball	Chrome Plated Brass - CW617N
4	Seat (4)	PTFE
5	Stem Seal	PTFE
6	Packing Ring	PTFE
7	O-ring (2)	Viton®
8	Body O-ring (4)	Viton®
9	Screw*	Steel
10	Bushing*	Brass - CW614N
11	Stem	Brass - CW614N
12	Washer*	Nylon
13	Handle*	Steel



Flow Options

Lever Assembly	750T				750L		
	Position 1						
Position 2							

Valve Seat Rating



Dimensions

Part No.	Size	A	B	C	D	E	F	G	H	J	K	L	Torque
A750_-14	1/4"	2.64	2.44	4.72	0.39	0.20	1.20	1.32	0.77	0.35	F03	0.23	54
A750_-38	3/8"	2.64	2.44	4.72	0.43	0.20	1.20	1.32	0.77	0.35	F03	0.23	54
A750_-12	1/2"	2.87	2.44	4.72	0.43	0.20	1.20	1.44	0.77	0.35	F03	0.23	54
A750_-34	3/4"	3.19	2.52	4.72	0.59	0.20	1.29	1.60	0.87	0.35	F03	0.23	54
A750_-1	1"	3.74	2.95	6.69	0.79	0.28	1.63	1.87	1.00	0.43	F05	0.27	151
A750_-114	1-1/4"	4.39	3.17	6.69	0.98	0.28	1.85	2.20	1.22	0.43	F05	0.27	151
A750_-112	1-1/2"	4.86	3.66	6.69	1.26	0.28	2.34	2.43	1.79	0.43	F05	0.27	151
A750_-2	2"	5.73	4.43	9.05	1.57	0.32	2.90	2.87	1.75	0.55	F07	0.35	275
A750_-212	2-1/2"	6.93	4.86	9.05	1.95	0.32	3.35	3.47	22.00	0.55	F07	0.35	381
A750_-3	3"	7.08	4.86	9.05	1.95	0.32	3.35	3.54	2.20	0.55	F07	0.35	381

_ = Must specify ball: T = T-Port, L = L-Port
Note: Torque is in (in/lb)

Note: Information subject to change without notice.

Direct Mount Ball Valve

3-Way • Full or Standard Port • Threaded Connection •
1000 WOG • with ISO Mounting Pad



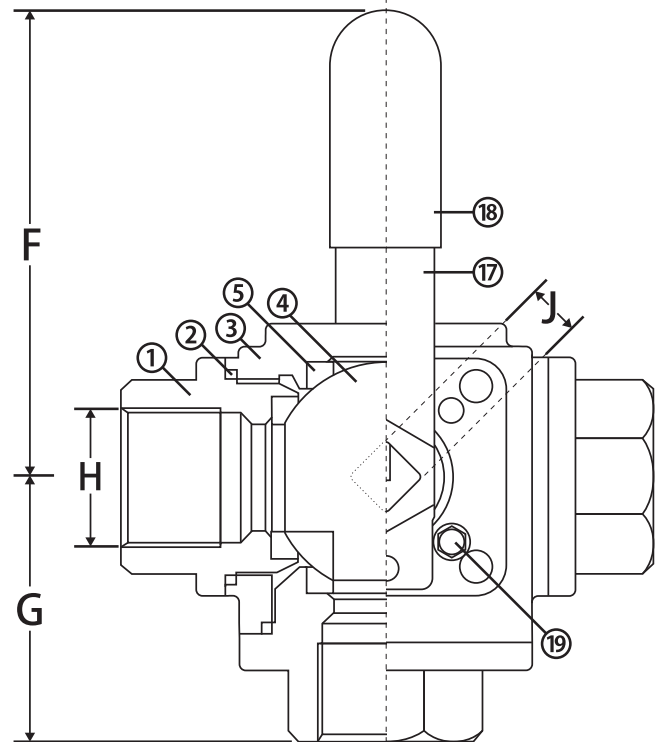
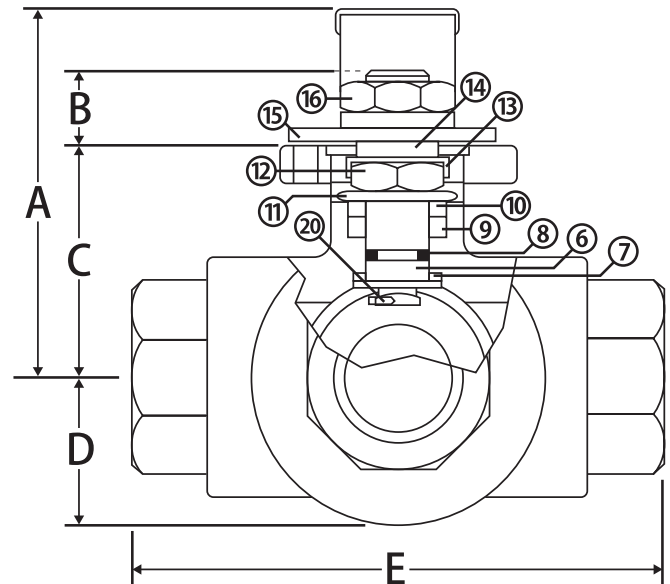
A850T/L

Features

- Self adjusting stem packing
- Blow-out proof stem design
- 100% tested
- Temperature range: -20°F to 450°F
- ISO 5211 mounting pad

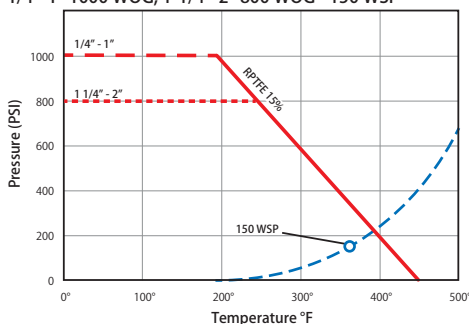
Material Specifications

No.	Part	Materials
1	End Cap	A351 Gr CF8M
2	Gasket	PTFE
3	Body	A351 Gr CF8M
4	Ball	SS 316
5	Seat	PTFE / RPTFE
6	Stem	SS 316
7	Stem Seal	RPTFE
8	O-ring	Viton
9	Stem Packing	PTFE
10	Gland	SS 304
11	Belleville Washer	SS 301
12	Stem Nut	SS 304
13	Nut Stop	SS 304
14	Space Washer	SS 304
15	Lock Saddle	SS 304
16	Handle Nut	SS 304
17	Handle	SS 304
18	Handle Sleeve	Vinyl
19	Stop Pin	SS 304
20	Insert Pin	SS 316



Valve Seat Rating

1/4 - 1" 1000 WOG, 1-1/4 - 2" 800 WOG - 150 WSP



Dimensions

Part No.	Full Port	Standard Port	A	B	C	D	E	F	G	H	J	ISO	Break Torque
A850_-14	1/4"	-	2.44	0.40	1.45	0.78	2.83	5.12	1.41	0.43	0.35	F03/F04	105
A850_-38	3/8"	1/2"	2.44	0.40	1.45	0.78	2.83	5.12	1.41	0.47	0.35	F03/F04	105
A850_-12	1/2"	3/4"	2.51	0.45	1.65	0.91	3.26	5.12	1.63	0.59	0.35	F03/F04	138
A850_-34	3/4"	1"	3.22	0.59	1.65	1.10	3.89	6.49	1.94	0.78	0.43	F04/F05	184
A850_-1	1"	1-1/4"	3.50	0.55	2.18	1.33	4.40	6.49	2.20	0.98	0.43	F04/F05	323
A850_-114	1-1/4"	1-1/2"	3.85	0.64	2.48	1.53	4.92	8.07	2.46	1.25	0.55	F05/F07	461
A850_-112	1-1/2"	2"	4.25	0.62	2.88	1.88	5.86	8.07	2.93	1.50	0.55	F05/F07	633
A850_-2	2"	-	5.51	0.88	3.63	2.36	6.85	12.79	3.42	2.00	0.67	F07/F10	1037

_ = Must specify ball: T = T-Port, L = L-Port

Note: Torque is in (in/lb)

Note: Information subject to change without notice.

Direct Mount Ball Valve



3 Piece 4 Bolt • Standard Port • Clamp Connection • 1000 WOG • with ISO Mounting Pad



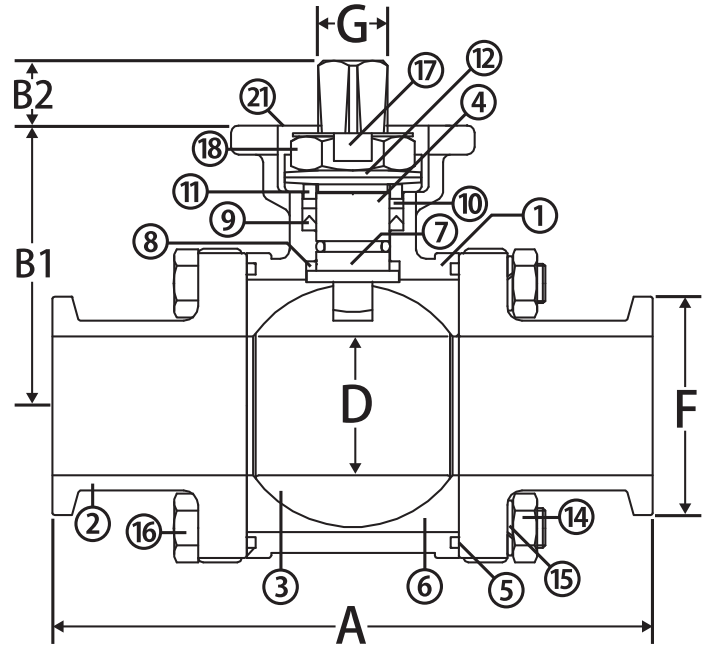
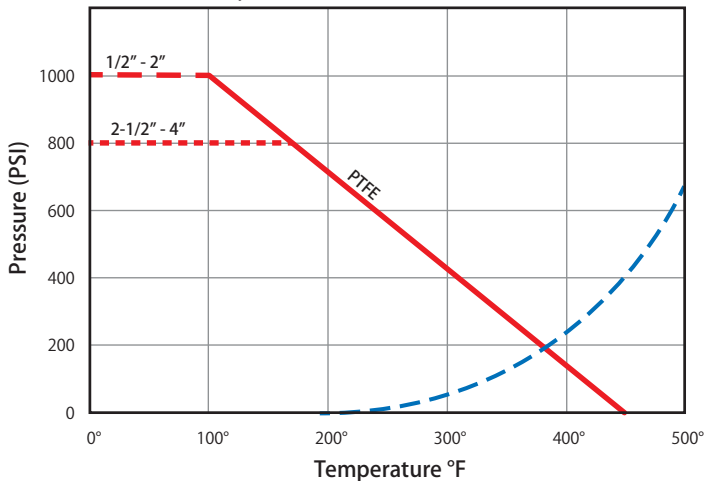
A9000TD

Features

- 3-Piece design for ease of maintenance
- 316SS body, ball and stem
- 20RA I.D. finish
- FDA approved PTFE cavity filler seats
- FDA approved RPTFE stem seal
- FDA approved Viton® stem O-ring
- FDA approved V-ring stem packing
- 304 SS bolts, nuts and washers
- ISO 5211 mounting pad
- Square stem design for direct mounting
- CE stamped

Valve Seat Rating

1/2" - 2" 1000 WOG, 2-1/2" - 4" 800 WOG



Dimensions

Part No.	Size	A	B1	B2	D	F	G	ISO
A9000TD-12	1/2"	3.50	1.58	0.35	0.37	0.98	0.35	F03/F04
A9000TD-34	3/4"	3.98	1.71	0.35	0.63	0.98	0.35	F03/F04
A9000TD-1	1"	4.49	2.05	0.43	0.87	1.98	0.43	F04/F05
A9000TD-112	1-1/2"	5.51	2.59	0.61	1.38	1.98	0.55	F05/F07
A9000TD-2	2"	6.14	2.91	0.61	1.87	2.54	0.55	F05/F07
A9000TD-212	2-1/2"	7.76	3.66	0.65	2.37	3.06	0.67	F07/F10
A9000TD-3	3"	9.02	4.02	0.65	2.87	3.58	0.67	F07/F10
A9000TD-4	4"	9.49	5.20	0.85	3.83	4.68	0.87	F10

Material Specifications

No.	Part	Materials
1	Body	CF8M
2	End Cap	CF8M
3	Ball	SUS316
4	Stem	SUS316
5	Joint Gasket	PTFE
6	Seat	PTFE
7	Stem Seal	RPTFE
8	O-ring	Viton
9	V-ring Packing	PTFE
10	Bushing	50% SS Powder Filled PTFE
11	Gland	SUS304
12	Belleville Washer	SUS301
13	Stem Nut*	SUS304
14	Bolt	SUS304
15	Washer	SUS304
16	Bolt Nut	SUS304
17	Lock Saddle	SUS304
18	Washer	SUS304
19	Handle*	SUS304
20	Handle Sleeve*	Vinyl
21	Stop Pin	SUS304

*Not shown in drawing

Note: Information subject to change without notice.

Direct Mount Ball Valve

Sanitary Butterfly Valve



A9500

Features

- 360° installation - valve may be installed in any position
- Self draining
- Wetted surfaces have sanitary finish
- USDA approved

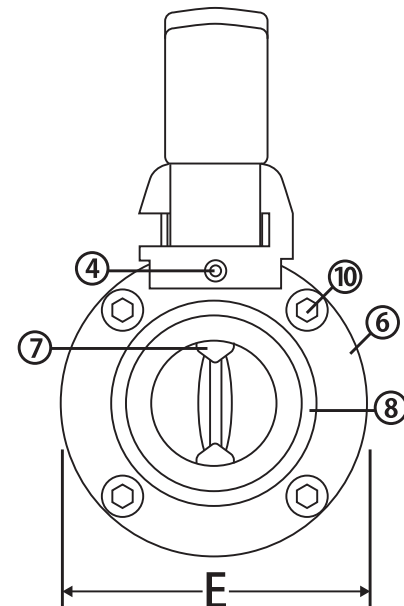
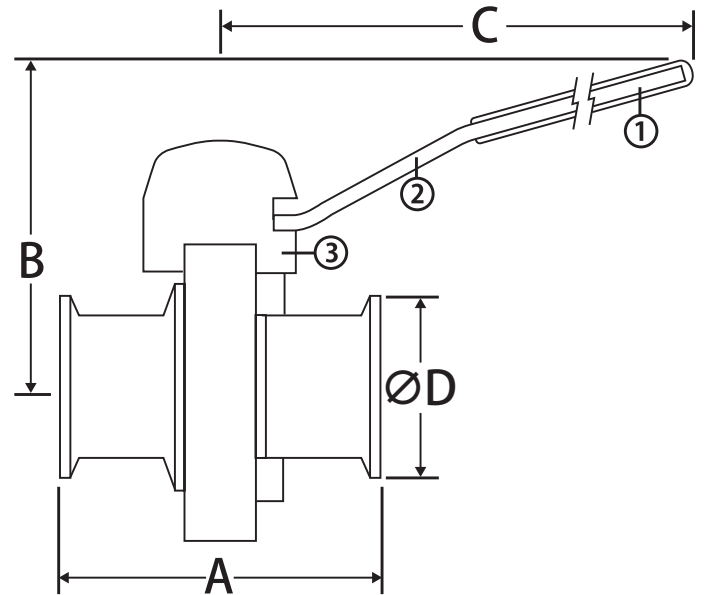
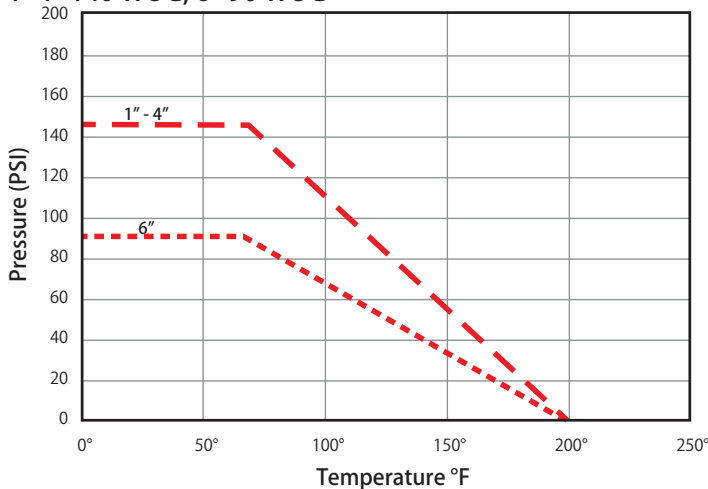
Material Specifications

No.	Part	Materials
1	Plastic Cover	Vinyl
2	Handle	AISI 304
3	Cap	AISI 304
4	Set Screw	AISI 304
5	Spring*	AISI 304
6	Forged Body	AISI 304 or 316L
7	Disc	AISI 316L
8	Seal	SI, EPDM, Viton®
9	Bushing*	Delrin
10	Cap Screw	AISI304

*Not shown in drawing

Valve Seat Rating

1 -4" 140 WOG, 6" 90 WOG



Dimensions

Part No.	Size	A	B	C	ØD	E	Break Torque
A9500C-1	1"	3.50	3.88	7.00	1.99	3.13	86
A9500C-112	1-1/2"	3.50	4.13	7.00	1.99	3.13	121
A9500C-2	2"	3.75	4.38	7.00	2.52	3.88	138
A9500C-212	2-1/2"	3.81	4.63	7.50	3.05	4.63	155
A9500C-3	3"	4.13	4.88	7.50	3.58	5.18	242
A9500C-4	4"	4.81	5.38	7.50	4.69	6.69	320
A9500C-6	6"	6.13	6.38	7.00	6.57	8.50	1037

Note: Torque is in (in/lb)

Electric Actuator



Double Acting • Nema 4x • Manual Override



AE-180



AE-450



AE-700



AE-700M



AE-880



AE-880M



AE-1400

AE Series Actuators

For individual specs, drawings, and dimensions visit
www.jomarvalve.com/actuation

Features

- Hard anodized aluminum housing with external powder coating for severe duty applications
- 90° operation
- Enclosure: IP67 (Nema 4, 4X)
- ISO 5211 mounting
- Worm gearing, no brake required
- Manual override standard
- Torque switches for overload protection (except for AE450 and AE700)
- Squirrel cage induction motor
- Duty Cycle: AE450 is 30%, for all others 50%
- 4 Limit switches (2 for AE450)
- Cable entries: 1/2" NPT for AE450 - 3/4" NPT for all others

- 5W internal heater (except for AE450 and AE700)
- Terminal block for ease in wiring
- Position indicator
- Adjustable travel stops standard
- Temperature range: -4° F to 158° F - AE700 and larger
-22° F to 140° F - AE450

Options

- **B:** 2 additional limit switches
- **C:** PK: 1K-10K OHM Potentiometer
- **E:** Modulation: 4-20ma Input
- **F:** CT: Current Transmitter, 4-20ma
- 24VDC and 220VAC available special order

Model	Torque in. / lbs	Speed 90 / 120VAC	Output Sq. / ISO Mounting	Pwr. Rating Wattage	Insulation Class	Weight Pounds	Limit Switches	Cable Entry	Internal Htr.	Terminal Wiring Block	Torque OL Protection
AE-180	180	12	.43/F03/05	6	E	2.5	2	PIGTAIL	NO	NO	N/A
AE-450	450	20	.55/F03/05	10	E	2	2	1/2 NPT	NO	YES	N/A
AE-700	700	14	.67/F05/07	15	E	5	4	3/4 NPT	YES	YES	N/A
AE-880	880	21	.67/F07	15	F	7	4	3/4 NPT	YES	YES	YES
AE-1400	1400	26	.87/F07/10	40	F	15	4	3/4 NPT	YES	YES	YES
AE-2100	2125	26	.87/F07/10	40	F	15	4	3/4 NPT	YES	YES	YES
AE-3100	3098	31	1.06/F10/12	40	F	20	4	3/4 NPT	YES	YES	YES
AE-4400	4425	31	1.06/F10/12	90	F	20	4	3/4 NPT	YES	YES	YES
AE-7000	7080	39	1.42/F12/14	180	F	25	4	3/4 NPT	YES	YES	YES
AE-9700	9735	39	1.54/F12/14	180	F	25	4	3/4 NPT	YES	YES	YES

Note: Information subject to change without notice.

Pneumatic Actuator

Spring Return • Double Acting Rotary



Alpha Series Actuators

Drawing, dimensions and torques on next two pages

Description

The Jomar Alpha Series rotary pneumatic actuators are designed for use with quarter-turn ball, butterfly and plug valves as well as damper applications. The Alpha Series actuator incorporates the latest technology in design and engineering. It is designed for high-cycle applications and can be utilized in hazardous and corrosive environments.

Features

- Hard anodized extruded aluminum body construction with both internal and external corrosion protection, having precision honed cylinder surfaces for longer life and low coefficient of friction
- Dual rack and piston design with multiple bearings and guides resulting in low friction and high cycle life, including blow-out proof output shaft design
- Modular type, epoxy coated spring design offers a

wide torque range, greater safety, corrosion resistance and an extended life cycle

- Precisely machined pistons and pinions to provide for extremely precise rack and pinion engagement resulting in greater efficiency
- Completely O-ring sealed to prevent outside contamination
- Stainless steel fasteners for long term corrosion resistance
- Manufactured to fully conform to ISO5211 and DIN3337
- Namur interface mounting of solenoid valves, limit switches and positioners
- Travel stops are standard on all models
- Manufactured with silicone-free lubricants
- Torque ranges - Double Acting: up to 388,762 in/lb; Spring Return: up to 257,836 in/lb
- 180° Actuators are also available from stock

Model	Double Acting Supply Pressure -PSI			
	40	60	80	100
50	90	135	180	225
60	183	274	365	457
70	284	426	567	709
80	416	625	833	1041
90	585	878	1170	1483
100	785	1177	1589	1961
120	1351	2026	2702	3377
140	1695	2542	3389	4236
160	2767	4150	5533	6917
190	4552	6827	9103	11379
200	5719	8579	11438	14298
240	1132	15197	20263	25329
270	12709	19064	25418	31773
300	17832	26747	35663	44579
350	27282	40923	54563	68204

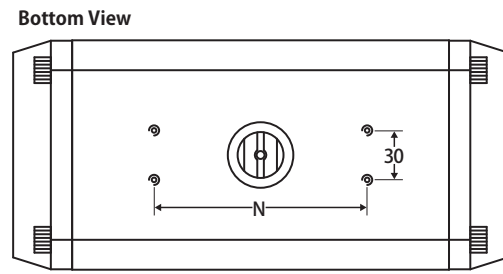
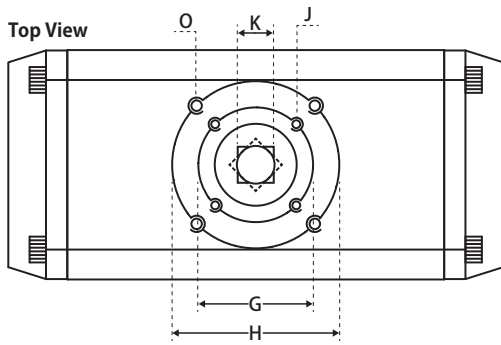
Model	SQ	ISO	Spring Start	Spring End
50	0.43	F03/05	109	71
60	0.55	F05/07	221	144
70	0.55	F05/07	344	223
80	0.67	F05/07	505	328
90	0.67	F05/07	709	461
100	0.87	F07/10	951	618
120	0.87	F07/10	1638	1064
140	1.06	F10/12	2054	1335
160	1.06	F10/12	3354	2179
190	1.42	F14	5518	3585
200	1.42	F14	6934	4504
240	1.81	F16	12284	7979
270	1.81	F16	15409	10009
300	1.81	F16	21620	14043
350	1.81	F16	21724	23523

Note: Information subject to change without notice.

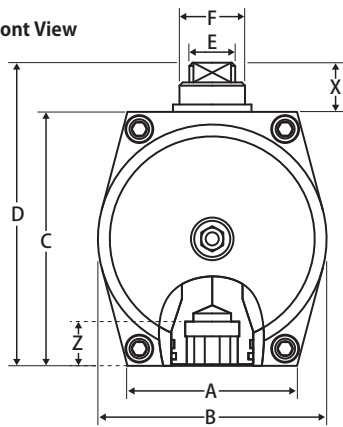
Pneumatic Actuator

Spring Return • Double Acting Rotary

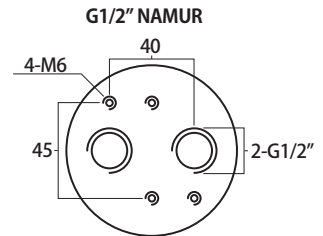
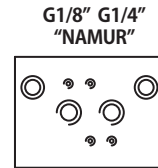
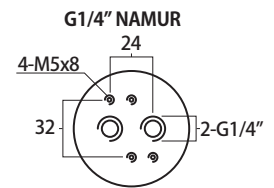
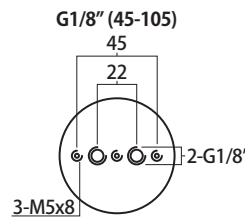
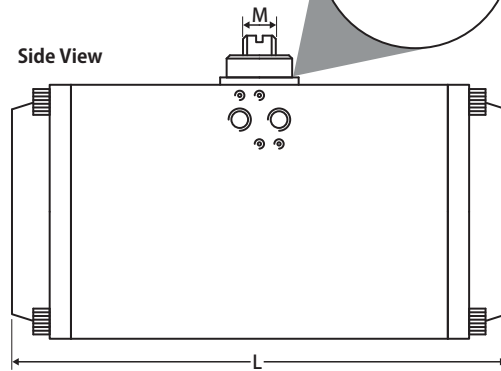
continued



Front View



Side View



Dimensions

Model	A	B	C	D	E	F	G	H	I	K	L	M	N	O	Z	Air Connection	Air Consumption Unit: in ³	X
50	1.97	2.32	2.92	3.70	.47	.55	Φ1.42	Φ1.97	#10-32UNF	.43	5.75	.39	3.15	1/4"-20UNC	.55	1/4"	15.25	.787
60	2.36	2.83	3.45	4.25	.47	.71	Φ1.97	Φ2.75	1/4"-20UNC	.55	6.61	.39	3.15	5/16"-18UNC	.71	1/4"	26.85	.787
70	2.56	3.27	3.93	4.75	.47	.71	Φ1.97	Φ2.75	1/4"-20UNC	.55	7.24	.39	3.15	5/16"-18UNC	.71	1/4"	42.11	.787
80	2.64	3.54	4.30	5.10	.55	.71	Φ1.97	Φ2.75	1/4"-20UNC	.67	8.03	.39	3.15	5/16"-18UNC	.83	1/4"	60.41	.787
90	2.99	4.09	4.72	5.55	.71	.98	Φ1.97	Φ2.75	1/4"-20UNC	.67	10.24	.55	3.15	5/16"-18UNC	.83	1/4"	96.42	.787
100	3.54	4.53	5.23	6.11	.79	.98	Φ2.75	Φ4.02	5/16"-18UNC	.87	10.55	.55	3.15	3/8"-16UNC	1.02	1/4"	134.25	.787
120	4.09	5.51	6.09	6.81	1.10	1.57	Φ2.75	Φ4.02	5/16"-18UNC	.87	11.73	.79	5.12	3/8"-16UNC	1.02	1/4"	210.53	.787
140	4.21	5.98	6.75	7.43	1.10	1.57	Φ4.02	Φ4.92	3/8"-16UNC	1.06	15.35	.79	5.12	1/2"-13UNC	1.22	1/4"	356.99	.787
160	5.04	6.92	7.76	8.94	1.42	1.57	Φ4.02	Φ4.92	3/8"-16UNC	1.06	18.03	1.10	5.12	1/2"-13UNC	1.22	1/4"	548.60	1.18
190	5.31	8.11	9.00	10.25	1.77	2.36	-	Φ5.51	-	1.42	20.67	1.26	5.12	5/8"-11UNC	1.57	1/4"	875.08	1.18
210	5.31	8.90	10.04	11.22	1.77	2.36	-	Φ5.51	-	1.42	20.94	1.26	5.12	5/8"-11UNC	1.57	1/4"	1084.39	1.18
240	6.10	10.08	11.33	12.48	1.77	2.36	-	Φ6.50	-	1.81	23.70	1.26	5.12	3/4"-10UNC	1.97	1/4"	1585.40	1.18
270	7.48	11.57	12.60	13.78	1.77	2.36	-	Φ6.50	-	1.81	28.43	1.26	5.12	3/4"-10UNC	1.97	1/2"	2498.92	1.18
300	7.72	12.75	13.70	14.88	1.77	2.36	-	Φ6.50	-	1.81	29.21	1.26	5.12	3/4"-10UNC	2.36	1/2"	3393.53	1.18
350	8.66	14.96	15.83	17.00	1.77	2.36	-	Φ6.50	-	1.81	33.86	1.26	5.12	3/4"-10UNC	2.36	1/2"	5163.22	1.18

Note: Information subject to change without notice.

Pneumatic Actuator

Spring Return • Double Acting Rotary

continued

SPRING RETURN OUTPUT TORQUE (IN/LB)

AS Size	Spring No	40 PSI		60 PSI		80 PSI		100 PSI		Spring Torque	
		Air Start	Air End	Air Start	Air End	Air Start	Air End	Air Start	Air End	Spring Start	Spring End
50	6	51	33	96	78	141	123	186	168	57	39
	7	45	23	90	68	135	113	180	158	67	45
	8			83	58	128	103	173	148	77	52
	9			77	49	122	94	167	139	86	58
	10					116	84	161	129	96	64
	11					109	75	154	120	105	71
12								148	110	115	77
60	6	105	67	196	158	287	249	379	341	116	78
	7	91	47	182	138	273	229	365	321	136	92
	8			169	119	260	210	352	302	155	105
	9			156	99	247	190	339	282	175	118
	10					234	171	326	263	194	131
	11					221	152	313	244	213	144
12								300	224	233	157
70	6	162	103	314	245	445	386	587	528	181	122
	7	142	73	294	215	425	356	567	498	211	142
	8			274	185	405	326	547	468	241	162
	9			253	155	384	296	526	438	271	183
	10					364	266	506	408	301	203
	11					344	236	486	378	331	223
12								465	347	362	244
80	6	237	151	446	360	654	568	862	776	265	179
	7	207	106	416	315	624	523	832	731	310	209
	8			386	271	594	479	802	687	354	239
	9			357	227	565	435	773	643	398	268
	10					535	391	743	599	442	298
	11					505	347	713	555	486	328
12								683	510	531	358
90	6	334	212	627	505	919	797	1212	1090	373	251
	7	292	150	585	443	877	735	1170	1028	435	293
	8			543	381	835	673	1128	966	497	335
	9			501	319	793	611	1086	904	559	377
	10					751	549	1044	842	621	419
	11					709	486	1002	779	684	461
12								960	717	746	503
100	6	448	285	840	677	1232	1069	1624	1461	500	337
	7	392	202	784	594	1176	986	1568	1378	583	393
	8			728	510	1120	902	1512	1294	667	449
	9			671	427	1063	819	1455	1211	750	506
	10			615	344	1007	736	1399	1128	833	562
	11					951	652	1343	1044	917	618
12								1287	961	1000	674
120	6	771	490	1446	1165	2122	1841	2797	2516	861	580
	7	674	347	1349	1022	2025	1698	2700	2373	1004	677
	8			1252	878	1928	1554	2603	2229	1148	774
	9			1156	735	1832	1411	2507	2086	1291	870
	10					1735	1267	2410	1942	1435	967
	11					1638	1124	2313	1799	1578	1064
12								2216	1656	1721	1161

SPRING RETURN OUTPUT TORQUE (IN/LB)

AS Size	Spring No	40 PSI		60 PSI		80 PSI		100 PSI		Spring Torque	
		Air Start	Air End	Air Start	Air End	Air Start	Air End	Air Start	Air End	Spring Start	Spring End
140	6	967	615	1814	1462	2661	2309	3508	3156	1080	728
	7	846	435	1693	1282	2540	2129	3387	2976	1260	849
	8			1571	1102	2418	1949	3265	2796	1440	971
	9			1450	922	2297	1769	3144	2616	1620	1092
	10					2176	1589	3023	2436	1800	1213
	11					2054	1410	2901	2257	1979	1335
12								2780	2077	2159	1456
160	6	1579	1004	2962	2387	4345	3770	5729	5154	1763	1188
	7	1380	710	2763	2093	4146	3476	5530	4860	2057	1387
	8			2565	1800	3948	3183	5332	4567	2350	1585
	9			2367	1506	3750	2889	5134	4273	2644	1783
	10					3552	2595	4936	3979	2938	1981
	11					3354	2301	4738	3685	3232	2179
12								4540	3391	3526	2377
190	6	2597	1652	4872	3927	7148	6203	9424	8479	2900	1955
	7	2271	1169	4546	3444	6822	5720	9098	7996	3383	2281
	8			4220	2960	6496	5236	8772	7512	3867	2607
	9			3894	2477	6170	4753	8446	7029	4350	2933
	10					5844	4269	8120	6545	4834	3259
	11					5518	3786	7794	6062	5317	3585
12								7469	5579	5800	3910
200	6	3262	2075	6122	4935	8981	7794	11841	10654	3644	2457
	7	2853	1468	5713	4328	8572	7187	11432	10047	4251	2866
	8			5303	3720	8162	6579	11022	9439	4859	3276
	9			4894	3113	7753	5972	10613	8832	5466	3685
	10					7343	5365	10203	8225	6073	4095
	11					6934	4757	9794	7617	6681	4504
12								9385	7010	7288	4913
240	6	5780	3676	10845	8741	15911	13807	20977	18873	6456	4352
	7	5054	2601	10119	7666	15185	12732	20251	17798	7531	5078
	8			9394	6590	14460	11656	19526	16722	8607	5803
	9			8669	5514	13735	10580	18801	15646	9683	6528
	10					13009	9504	18075	14570	10759	7254
	11					12284	8428	17350	13494	11835	7979
12								16625	12418	12911	8704
270	6	7250	4611	13605	10966	19959	17320	26314	23675	8098	5459
	7	6340	3262	12695	9617	19049	15971	25404	22326	9447	6369
	8			11785	8267	18139	14621	24494	20976	10797	7279
	9			10875	6917	17229	13271	23584	19626	12147	8189
	10					16319	11922	22674	18277	13496	9099
	11					15409	10572	21764	16927	14846	10009
12								20854	15577	16196	10919
300	6	10172	6470	19087	15385	28003	24301	36919	33217	11362	7660
	7	8896	4577	17811	13492	26727	22408	35643	31324	13255	8936
	8			16534	11598	25450	20514	34366	29430	15149	10213
	9			15257	9704	24173	18620	33089	27536	17043	11490
	10					22897	16727	31813	25643	18936	12766
	11					21620	14833	30536	23749	20830	14043
12								29259	21856	22723	15320

Note: Information subject to change without notice.

Positioner

Electro-Pneumatic Rotary Positioner



AEP-100

For submittal sheets visit www.jomarvalve.com/actuation

Features

- Aluminum housing construction
- Visual position indicator
- Enclosure: IP66 connections: 1/4" Air / 1/8" gauge
- Input: 4-20mA / 0-10 VDC
- Supply: 20-100 PSI
- Impedance: 250 OHM \pm 15 OHM
- Linearity: \pm 1% / \pm 2% FS
- Operating Temperature: -4° F to 158° F
- Repeatability: \pm .5% FS
- Hysteresis: \pm 1% FS
- Flow Capacity: 80 LPM
- Air Consumption: 3 LPM
- Weight: 6.5 LB
- Explosion proof approval: Exdm IIBT5
- Signal: 1/2" conduit
- Connections: 1/4" air / 1/8" gauge
- For use with 1/4-turn rotary actuators

Positioner

Pneumatic Rotary Positioner



APP-200

For submittal sheets visit www.jomarvalve.com/actuation

Features

- Aluminum housing construction
- Visual position indicator
- Input: 3-15 PSI
- Supply: 20-100 PSI
- Linearity: \pm 2% FS
- Operating Temperature: -20° F to 185° F
- Repeatability: \pm .5% FS
- Hysteresis: \pm 1% FS
- Flow Capacity: 80 LPM
- Air Consumption: 3 LPM
- Weight: 4 LB
- Enclosure: IP66
- Connections: 1/4" air / 1/8" gauge
- For use with 1/4-turn rotary actuators

Solenoid Valve

Four Way Solenoid Valve

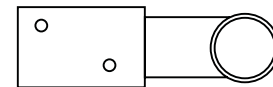
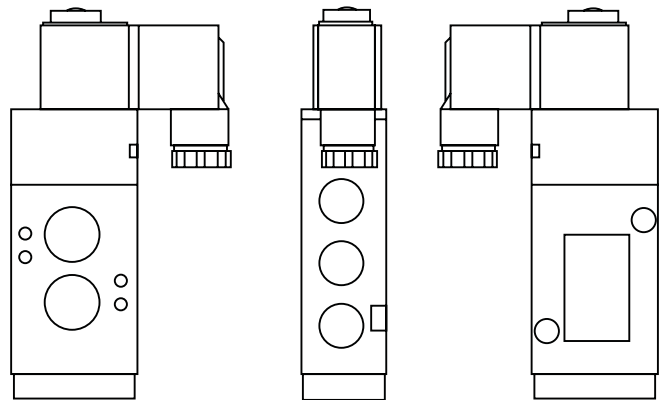


ASV-120

For submittal sheets visit www.jomarvalve.com/actuation

Features

- Extruded aluminum body with NBR seal
- 120/60/1 coil with IP 67 rating
- Manual override
- 1/4" NPT Exhaust port
- 1/2" NPT conduit connection
- Operating Temp: -40°F to 140°F
- Operating Pressure: 20 to 120 PSI



Options

- 24 VAC
- 240 VAC
- 24 VDC

Limit Switch

Limit Switch with Dome Indicator

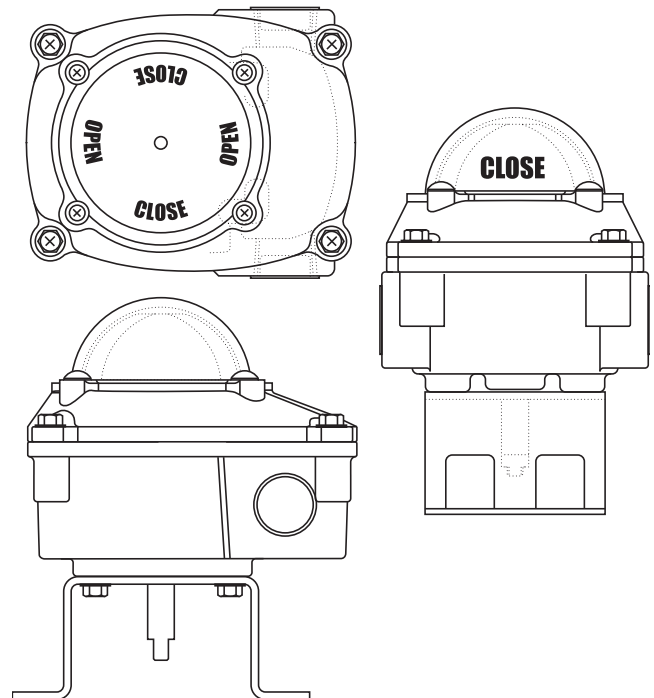


ASM-200

For submittal sheets visit www.jomarvalve.com/actuation

Features

- Die-cast aluminum, epoxy-polyester coated housing
- O-ring sealed to prevent contaminants from entering switch compartment
- Position indicator manufactured of high-impact polycarbonate; yellow = open / red = closed
- Mechanical switches (2) are of SPDT design
- Eight position terminal strip included
- Enclosure is IP 67 weatherproof design
- Stainless steel mounting bracket made to NAMUR



Options

- Explosion proof: EExd IIB T6 and EExd IIC T6
- Switches: Maximum of (4) SPDT mechanical switches
- (2) Proximity switches

Note: Information subject to change without notice.

Butterfly Valve

Lug Style • Epoxy-Coated Ductile Iron Body

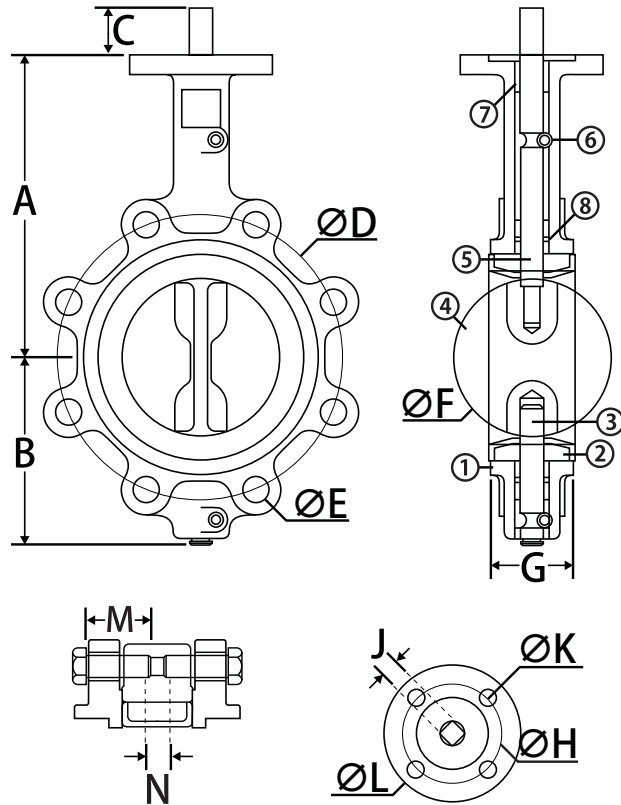


CRN# 0C09891.2

BFV-Lug

Features

- Designed for commercial and industrial applications up to 200 PSI
- Easily accepts actuator with ISO 5211 mounting flange
- Available in EPDM, PTFE, Buna, or Viton seats
- Meets API 609 & MSS SP-67
- Seat to flange seal eliminates the need for flange gaskets
- Series 600 Lug bodies are bidirectional for dead end service
- Epoxy coated finish
- Ideal for mounting pneumatic/electrical actuators
- Square stem for direct mount



Material Specifications		
No.	Part	Materials
1	Body	Ductile Iron - Epoxy Coated
2	Seat	*Varies*
3	Lower Shaft*	410 Stainless Steel
4	Disc	CF8M Stainless Steel
5	Upper Shaft	410 Stainless Steel
6	Locating Pin (2)	Carbon Steel
7	Bushing (3)	PTFE
8	O-ring (2)	EPDM

Note: 2" - 12" Only, 14" - 36" are pin through shaft style

	Seat Temperature Ranges				
	Size	Buna-N	EPDM	Viton	PTFE
Temperature range (° F)	2" - 36"	10 to 180	-30 to 250	10 to 275	-20 to 250
Inline service (psi)	2" - 12"	200	200	200	200
	14" - 36"	150	150	150	150
Dead end service w/down stream flange (psi)	2" - 12"	200	200	200	100
Dead end service w/o down stream flange (psi)	2" - 12"	100	100	100	50

When ordering butterfly valves please specify the seat in the _ space with the following letter designations.

E = EPDM P = PTFE V = VITON B = BUNA

Dimensions

Part No.	Size	A	B	C	D	E	F	G	H	J	K	L	M	N	Weight
600-02DS_L	2"	6.34	3.15	1.26	4.74	4 : 5/8"	2.07	1.65	1.97	0.35	4 : 0.28	3.03	1.50	5/8-11UNC	8.38
600-212DS_L	2-1/2"	6.89	3.50	1.26	5.50	4 : 5/8"	2.54	1.76	1.97	0.35	4 : 0.28	3.03	1.50	5/8-11UNC	9.26
600-03DS_L	3"	7.13	3.74	1.26	6.00	4 : 5/8"	3.10	1.78	1.97	0.35	4 : 0.28	3.03	1.50	5/8-11UNC	10.36
600-04DS_L	4"	7.87	4.49	1.26	7.50	8 : 5/8"	4.09	2.05	2.76	0.43	4 : 0.35	3.54	1.75	5/8-11UNC	19.84
600-05DS_L	5"	8.39	5.00	1.26	8.50	8 : 3/4"	4.85	2.14	2.76	0.55	4 : 0.35	3.54	1.75	3/4-11UNC	24.03
600-06DS_L	6"	8.90	5.47	1.26	9.51	8 : 3/4"	6.13	2.20	2.76	0.55	4 : 0.35	3.54	2.00	3/4-11UNC	31.31
600-08DS_B	8"	10.24	6.89	1.61	11.75	8 : 3/4"	7.97	2.39	4.02	0.67	4 : 0.47	4.92	2.00	3/4-11UNC	40.12
600-10DS_B	10"	11.50	7.99	1.61	14.25	12 : 7/8"	9.86	2.58	4.02	0.87	4 : 0.47	4.92	2.25	7/8-11UNC	59.08
600-12DS_B	12"	13.27	9.53	1.61	17.01	12 : 7/8"	11.87	3.03	4.02	0.87	4 : 0.47	5.51	2.50	7/8-11UNC	88.18
600-14DS_B	14"	14.49	10.55	1.77	18.74	12 : 1"	13.12	3.01	4.02	0.87	4 : 0.47	5.51			123.46
600-16DS_B	16"	15.75	12.17	2.02	21.26	16 : 1"	15.34	3.41	5.51	0.94	4 : 0.71	7.76			211.64
600-18DS_B	18"	16.54	12.91	2.02	22.76	16 : 1-1/8"	17.34	4.16	5.51	1.06	4 : 0.71	7.76			268.96
600-20DS_B	20"	18.90	14.21	2.53	25.00	20 : 1-1/8"	19.35	5.19	5.51	1.42	4 : 0.71	7.76			445.33
600-24DS_B	24"	22.13	18.07	2.76	29.51	20 : 1-1/4"	23.33	5.98	6.50	1.42	4 : 0.91	10.87			595.25
600-30DS_B*	30"	25.98	21.22				29.30	6.50							939.17
600-36DS_B*	36"	28.35	25.83				34.04	7.99							1604.96

*U-type Butterfly Valve, dimensions and drawings available upon request.

Note: Information subject to change without notice.

Butterfly Valve

Wafer Style • Epoxy-Coated Ductile Iron Body

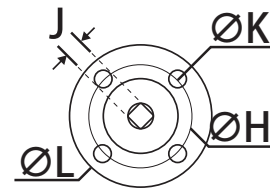
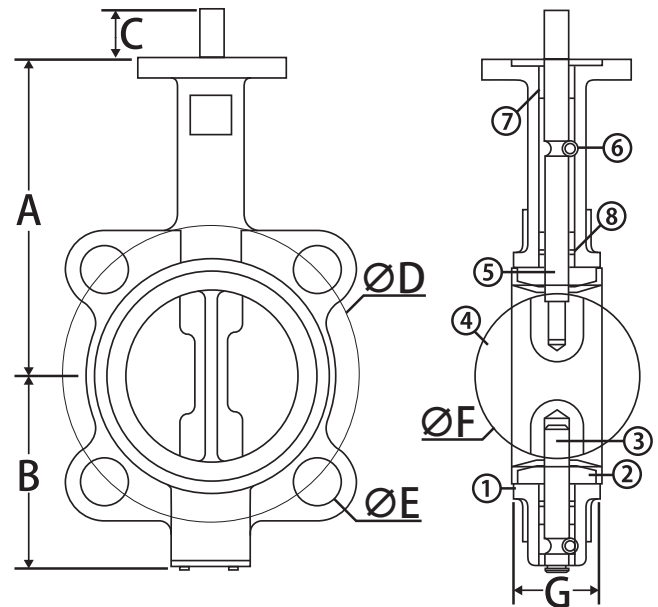


BFV-Wafer

CRN# 0C09891.2

Features

- Designed for commercial and industrial applications up to 200 PSI
- Easily accepts actuator with ISO 5211 mounting flange
- Available in EPDM, PTFE, Buna, or Viton seats
- Meets API 609 & MSS SP-67
- Seat to flange seal eliminates the need for flange gaskets
- Epoxy coated finish
- Ideal for mounting pneumatic/electrical actuators
- Square stem for direct mount



Material Specifications

No.	Part	Materials
1	Body	Ductile Iron - Epoxy Coated
2	Seat	*Varies*
3	Lower Shaft*	410 Stainless Steel
4	Disc	CF8M Stainless Steel
5	Upper Shaft	410 Stainless Steel
6	Locating Pin (2)	Carbon Steel
7	Bushing (3)	PTFE
8	O-ring (2)	EPDM

2" - 12" only, 14" - 36" are pin through shaft style

Seat Temperature Ranges

	Size	Buna-N	EPDM	Viton	PTFE
Temperature range (° F)	2" - 36"	10 to 180	-30 to 250	10 to 275	-20 to 250
Inline service (psi)	2" - 12"	200	200	200	200
	14" - 36"	150	150	150	150

When ordering butterfly valves please specify the seat in the _ space with the following letter designations.

E = EPDM P = PTFE V = VITON B = BUNA

Dimensions

Part No.	Size	A	B	C	D	E	F	G	H	J	K	L	Weight
900-02DS_L	2"	6.34	3.15	1.26	4.74	4 : 0.75	2.07	1.65	1.97	0.35	4 : 0.28	3.03	5.51
900-212DS_L	2-1/2"	6.89	3.50	1.26	5.50	4 : 0.75	2.54	1.76	1.97	0.35	4 : 0.28	3.03	7.05
900-03DS_L	3"	7.13	3.74	1.26	6.00	4 : 0.75	3.10	1.78	1.97	0.35	4 : 0.28	3.03	8.38
900-04DS_L	4"	7.87	4.49	1.26	7.50	8 : 0.75	4.09	2.05	2.76	0.43	4 : 0.35	3.54	10.80
900-05DS_L	5"	8.39	5.00	1.26	8.50	8 : 0.87	4.85	2.14	2.76	0.55	4 : 0.35	3.54	15.43
900-06DS_L	6"	8.90	5.47	1.26	9.51	8 : 0.87	6.13	2.20	2.76	0.55	4 : 0.35	3.54	17.20
900-08DS_B	8"	10.24	6.89	1.61	11.75	8 : 0.87	7.97	2.39	4.02	0.67	4 : 0.47	4.92	29.10
900-10DS_B	10"	11.50	7.99	1.61	14.25	12 : 0.98	9.86	2.58	4.02	0.87	4 : 0.47	4.92	42.33
900-12DS_B	12"	13.27	9.53	1.61	17.01	12 : 0.98	11.87	3.03	4.02	0.87	4 : 0.47	5.51	71.65
900-14DS_B	14"	14.49	10.51	1.77	18.74	12 : 1.14	13.12	3.01	4.02	0.87	4 : 0.47	5.51	91.05
900-16DS_B	16"	15.75	12.17	2.02	21.26	16 : 1.14	15.34	3.41	5.51	0.94	4 : 0.71	7.76	134.48
900-18DS_B	18"	16.61	12.91	2.02	22.76	16 : 1.26	17.34	4.16	5.51	1.06	4 : 0.71	7.76	174.16
900-20DS_B	20"	18.90	14.21	2.53	25.00	20 : 1.26	19.35	5.19	5.51	1.42	4 : 0.71	7.76	282.19
900-24DS_B	24"	22.13	18.07	2.76	29.51	20 : 1.38	23.33	5.98	6.50	1.42	4 : 0.91	10.87	414.47
900-30DS_B	30"	25.98	21.22	2.60	36.00	28 : 1.38	29.30	6.50	10.00	-*	8 : 0.71	11.81	723.12
900-36DS_B	36"	28.35	25.83	4.65	41.34	32 : 1.61	34.04	7.99	10.00	-*	8 : 0.71	11.81	1571.89

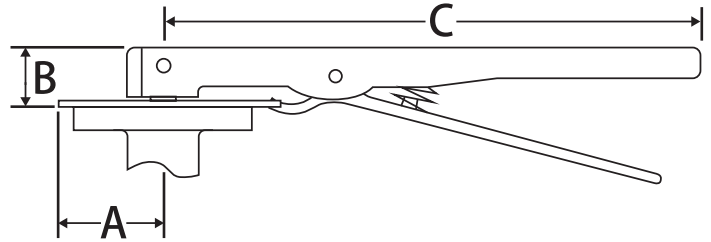
*Stem is round with key, dimensions and drawings available upon request.

Butterfly Valve Handle

Ten-position Lockable Lever Handle



BFV-LeverHandle



Dimensions

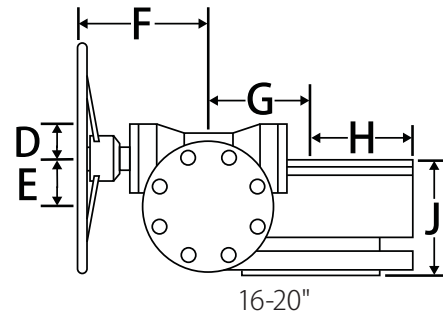
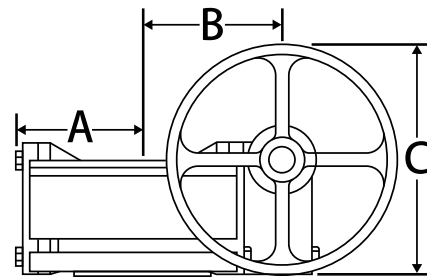
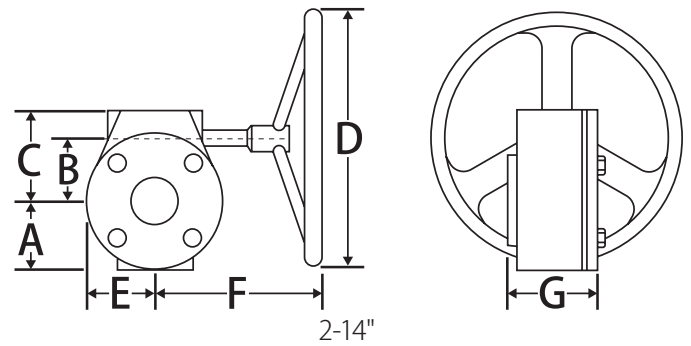
Part No.	Size	A	B	C
BLH2-3	2" - 3"	2.00	1.26	10.64
BLH4	4"	2.00	1.26	10.64
BLH5-6	5" - 6"	2.00	1.26	10.64
BLH8	8"	4.30	1.77	14.18
BLH10	10"	5.84	1.77	19.70
BLH12	12"	5.80	1.77	19.70

Butterfly Valve Handle

Butterfly Gear Operator



BFV-WormGear Operator



Dimensions

Part No.	Size	A	B	C	D	E	F	G	H	J
2-14"										
BGO2-3	2" -3"	2.05	1.77	2.92	5.91	2.05	6.00	2.96	-	-
BGO4	4"	2.05	1.77	2.92	5.91	2.05	6.00	2.96	-	-
BGO5-6	5" - 6"	2.05	1.77	2.92	5.91	2.05	6.00	2.96	-	-
BGO8	8"	2.96	2.47	3.98	11.82	2.96	9.85	3.39	-	-
BGO10	10"	2.96	2.47	3.98	11.82	2.96	9.85	3.39	-	-
BGO12-14	12" - 14"	3.19	3.15	4.65	11.82	3.19	8.94	3.27	-	-
16-20"										
BGO16	16"	4.76	7.03	11.81	2.22	2.60	6.85	4.09	4.53	4.94
BGO18	18"	4.76	7.03	11.81	2.22	2.60	6.85	4.09	4.53	4.94
BGO20	20"	4.76	7.03	11.81	2.22	2.60	6.85	4.09	4.53	4.94

Carbon Steel Ball Valve



2 Piece • Full Port • Flanged Connections • Class 300 • with Stainless Steel Trim



FL-CS-100-300

CRN# 0C15754.5

Features

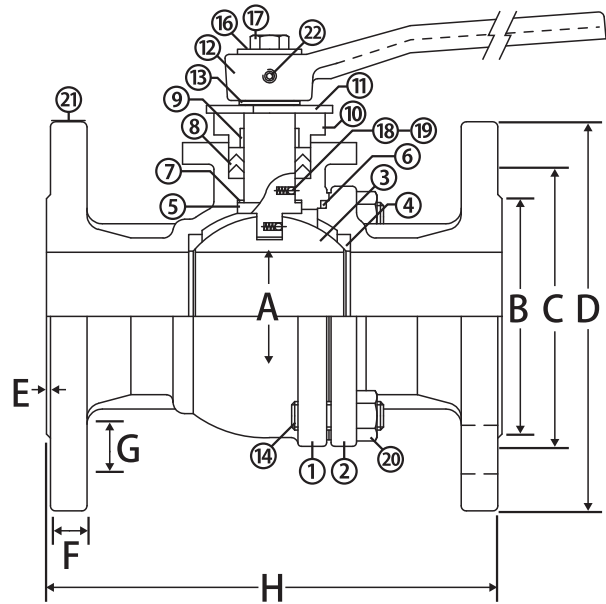
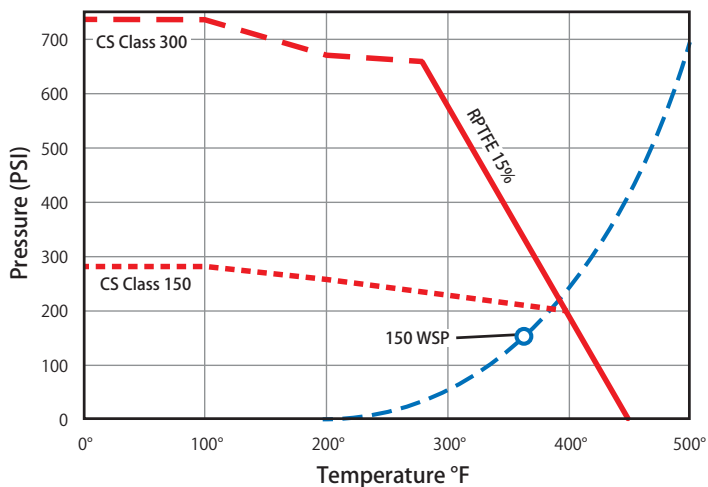
- Wrench operator
- Fire safe stem and body graphite seals
- Air tested seat leakage: 85 PSI
- Hydraulic tested body: 1124 PSI
- Locking device comes standard
- 100% leak tested

Approvals

- CSA Certified
 - ASME B16.33 (125 PSIG)
 - CGA 3.16 (125 PSI)
- Conforms to ANSI B16.34
- Flange: ANSI B16.5
- Face to Face: ANSI B16.10
- API 607 Fire Safe
- NACE 01-75 Stainless Steel Approved

Valve Seat Rating

Class 300: 700 WOG, Class 150: 300 WOG - 150 WSP



Material Specifications

No.	Part	Materials
1	Body	WCB Carbon Steel
2	Body Cap	WCB Carbon Steel
3	Ball	CF8 Stainless Steel
4	Seat (2)	RPTFE - 15%
5	Stem	304 Stainless Steel
6	Body Seal	PTFE
7	Stem Seal	PTFE
8	Packing Gland (3)	PTFE
9	Gland Bushing	PTFE
10	Gland Flange	CF8 Stainless Steel
11	Stop Plate	304 Stainless Steel
12	Handle	Ductile Iron
13	Snap Ring	301 Stainless Steel
14	Body Bolt (4 or 6)	A193-B8 Steel
15	Gland Bolt (2)*	A193-B8 Steel
16	Handle Washer	304 Stainless Steel
17	Handle Bolt	304 Stainless Steel
18	Static Device (2)	304 Stainless Steel
19	Spring (2)*	304 Stainless Steel
20	Body Nut (4 or 6)**	A194-8M Steel
21	Tag	304 Stainless Steel
22	Set Screw	304 Stainless Steel

* Not shown in drawing, ** Component only on +5" valves

Dimensions

Part No.	Size	A	B	C	D	E	F	G	H	Bolts
600-228	2"	1.97	3.62	5.00	6.50	0.06	0.88	0.75	8.50	8
600-230	3"	3.15	5.00	6.62	8.27	0.06	1.17	0.88	11.10	8
600-231	4"	3.94	6.19	7.88	10.00	0.06	1.25	0.88	12.00	8
600-232	6"	5.90	8.51	10.64	12.53	0.06	1.44	0.88	15.88	12
600-233*	8"	7.88	10.64	13.00	15.01	0.06	1.62	1.00	19.75	12

*8" Special Order

Note: Information subject to change without notice.

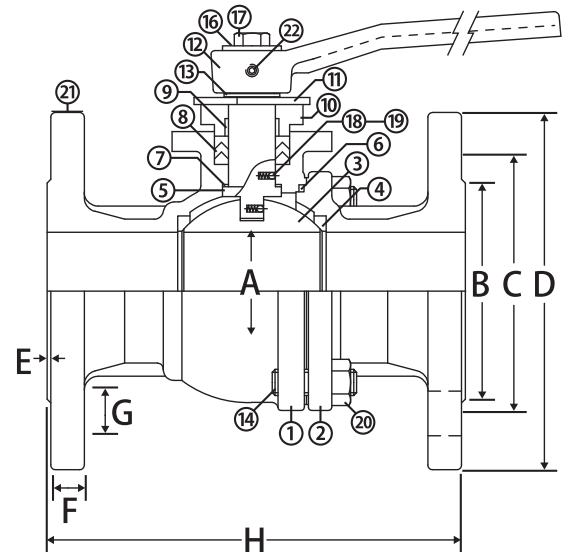
Carbon Steel Ball Valve

2 Piece • Full Port • Flanged Connections • Class 150 • with Stainless Steel Trim



FL-CS-100-150

CRN# 0C15754.5



Features

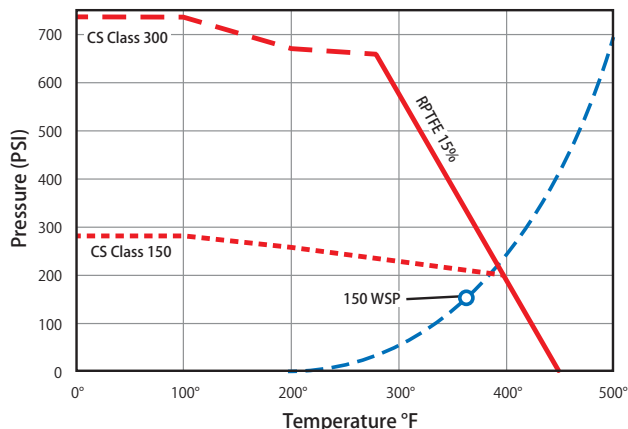
- Wrench operator
- Fire safe stem and body graphite seals
- Air tested seat leakage: 85 PSI
- Hydraulic tested body: 427 PSI
- Locking device comes standard
- 100% leak tested

Approvals

- UL Listed (1/2" - 8")
 - MHKZ - Manual valves
 - YQNZ - Compressed gas shut-off valves
 - YRBX - Flammable liquid shut-off valves
 - YSDT - LP gas shut-off valves
- CSA Certified (2" - 8")
 - ASME B16.33 (125 PSIG)
 - CGA 3.16 (125 PSI)
- Conforms to ANSI B16.34
- Flange: ANSI B16.5
- Face to Face: ANSI B16.10
- API 607 Fire Safe
- NACE 01-75 Stainless Steel Approved

Valve Seat Rating

Class 300: 700 WOG, Class 150: 300 WOG - 150 WSP



Material Specifications

No.	Part	Materials
1	Body	WCB Carbon Steel
2	Body Cap	WCB Carbon Steel
3	Ball	CF8M Stainless Steel
4	Seat (2)	RPTFE - 15%
5	Stem	304 Stainless Steel
6	Body Seal	PTFE
7	Stem Seal	PTFE
8	Packing Gland (3)	PTFE
9	Gland Bushing	PTFE
10	Gland Flange	CF8 Stainless Steel
11	Stop Plate	304 Stainless Steel
12	Handle	WCB Carbon Steel
13	Snap Ring	301 Stainless Steel
14	Body Bolt (4 or 6)	A193-B7 Steel
15	Gland Bolt (2)*	304 Stainless Steel
16	Handle Washer	304 Stainless Steel
17	Handle Bolt	304 Stainless Steel
18	Static Device (2)	304 Stainless Steel
19	Spring (2)*	304 Stainless Steel
20	Body Nut (4 or 6)**	A194-2H Steel
21	Tag	304 Stainless Steel
22	Set Screw	304 Stainless Steel

* Not shown in drawing, ** Component only on +5" valves

Dimensions

Part No.	Size	A	B	C	D	E	F	G	H	Bolts
600-203	1/2"	0.63	1.38	2.38	3.50	0.06	0.44	0.63	4.25	4
600-204	3/4"	0.79	1.69	2.76	3.86	0.06	0.44	0.63	4.61	4
600-205	1"	0.98	2.01	3.13	4.25	0.06	0.44	0.63	5.00	4
600-207	1-1/2"	1.50	2.87	3.88	5.00	0.06	0.56	0.63	6.50	4
600-208	2"	1.97	3.62	4.74	5.98	0.06	0.63	0.75	7.01	4
600-209	2-1/2"	2.56	4.13	5.49	7.01	0.06	0.69	0.75	7.48	4
600-210	3"	3.15	5.00	6.00	7.48	0.06	0.75	0.75	7.99	4
600-211	4"	3.94	6.18	7.50	9.02	0.06	0.94	0.75	9.02	8
600-212	6"	5.98	8.50	9.51	10.98	0.06	1.00	0.87	15.51	8
600-213*	8"	7.99	10.63	11.75	13.50	0.06	1.12	0.87	17.99	8
600-214*	10"	9.84	12.76	14.25	15.98	0.06	1.19	0.98	20.98	12
600-215*	12"	11.81	12.52	17.01	19.02	0.06	1.25	0.98	24.02	12

*8-12" Special Order

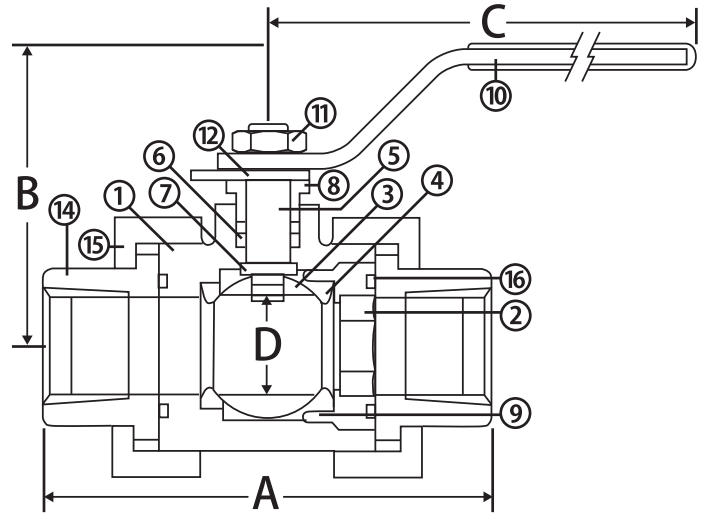
Carbon Steel Ball Valve



5 Piece • Full Port • Double Union End • Threaded Connection • 3000 WOG • with Stainless Steel Trim



T-CS-2002N-SS-DUE



Features

- Solid ball construction
- 5 piece construction
- Mounting pad
- Reversible handle
- Adjustable stem packing with blow out proof stem
- 29 in-HG vacuum rating
- 100% leak tested

Approvals

- UL Listed 842 (49RO)
 - MHKZ - Manual valves
 - YQNZ - Compressed gas shut-off valves
 - YRBX - Flammable liquid shut-off valves
 - YRPV - Gas shut-off valves
 - YSDT - LP gas shut-off valves
 - YQAR - Anhydrous ammonia shut-off valves
- API-598
- ANSI B1.20.1
- ANSI B16.11
- MSS SP-110
- NACE Certified

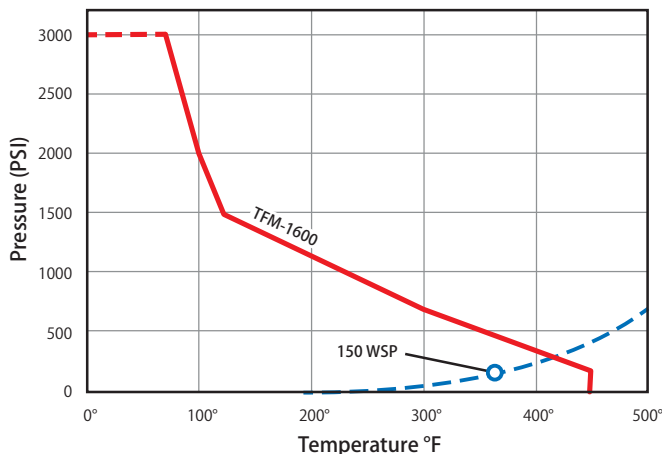
Material Specifications

No.	Part	Materials
1	Body	WCB Carbon Steel
2	Body Insert	WCB Carbon Steel
3	Ball	CF8M Stainless Steel
4	Seat (2)	Hostaflo [®] TFM 1600
5	Stem	316 Stainless Steel
6	Packing (2)	RPTFE
7	Stem Seal	Hostaflo [®] TFM 1600
8	Packing Gland	304 Stainless Steel
9	Body Seal (2)	Hostaflo [®] TFM 1600
10	Handle	304 Stainless Steel
11	Handle Nut	304 Stainless Steel
12	Stop Plate	304 Stainless Steel
13	Lock Pin*	304 Stainless Steel
14	Tail Piece (2)	WCB Carbon Steel
15	Union Nut (2)	WCB Carbon Steel
16	Union Seal (2)	Hostaflo [®] TFM 1600

*Not shown in drawing

Valve Seat Rating

3000 WOG - 150 WSP



Dimensions

Part No.	Size	A	B	C	D
100-991	1/4"	3.58	2.40	4.17	0.44
100-992	3/8"	3.58	2.40	4.17	0.44
100-993	1/2"	3.58	2.40	4.17	0.62
100-994	3/4"	3.74	2.79	6.97	0.81
100-995	1"	4.29	2.96	6.97	1.00
100-996	1-1/4"	4.61	3.38	9.84	1.25
100-997	1-1/2"	5.24	3.67	9.84	1.50
100-998	2"	5.71	4.52	12.24	1.97

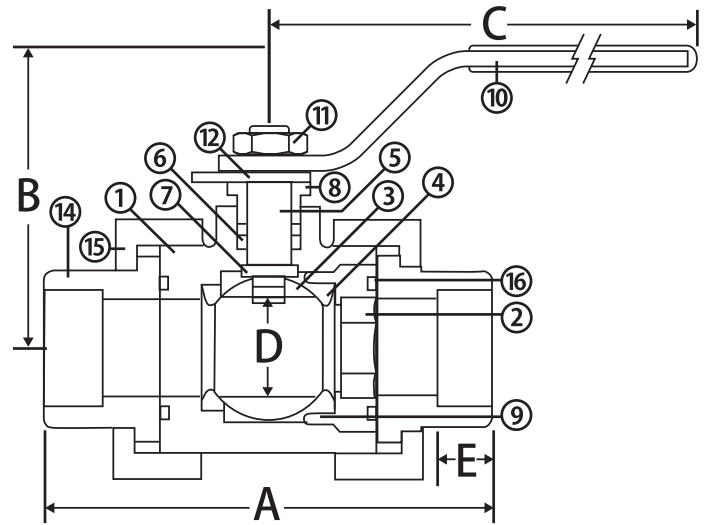
Note: Information subject to change without notice.

Carbon Steel Ball Valve

**5 Piece • Full Port • Double Union End • Socket Weld •
3000 WOG • with Stainless Steel Trim**



S-CS-2002N-SS-DUE



Features

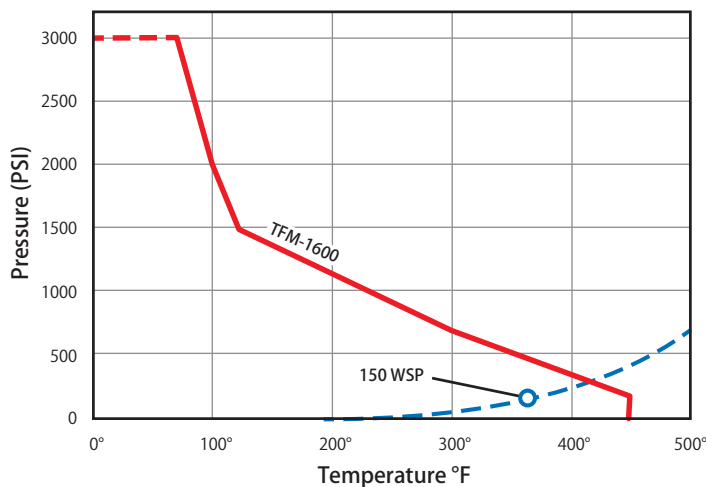
- Solid ball construction
- 5 piece construction
- Mounting pad
- Reversible handle
- Adjustable stem packing with blow out proof stem
- 29 in-HG vacuum rating
- 100% leak tested

Approvals

- API-598
- MSS SP-110
- NACE Certified
- ANSI B16.11

Valve Seat Rating

3000 WOG - 150 WSP



Material Specifications

No.	Part	Materials
1	Body	WCB Carbon Steel
2	Body Insert	WCB Carbon Steel
3	Ball	CF8M Stainless Steel
4	Seat (2)	Hostaflo [®] TFM 1600
5	Stem	316 Stainless Steel
6	Packing (2)	RPTFE
7	Stem Seal	Hostaflo [®] TFM 1600
8	Packing Gland	304 Stainless Steel
9	Body Seal (2)	Hostaflo [®] TFM 1600
10	Handle	304 Stainless Steel
11	Handle Nut	304 Stainless Steel
12	Stop Plate	304 Stainless Steel
13	Lock Pin*	304 Stainless Steel
14	Tail Piece (2)	WCB Carbon Steel
15	Union Nut (2)	WCB Carbon Steel
16	Union Seal (2)	Hostaflo [®] TFM 1600

*Not shown in drawing

Dimensions

Part No.	Size	A	B	C	D	E
101-991	1/4"	3.58	2.40	4.17	0.44	0.41
101-992	3/8"	3.58	2.40	4.17	0.44	0.41
101-993	1/2"	3.58	2.40	4.17	0.62	0.44
101-994	3/4"	3.74	2.79	6.97	0.81	0.56
101-995	1"	4.29	2.96	6.97	1.00	0.72
101-996	1-1/4"	4.61	3.38	9.84	1.25	0.72
101-997	1-1/2"	5.24	3.67	9.84	1.50	0.72
101-998	2"	5.71	4.52	12.24	1.97	0.84

Carbon Steel Ball Valve



3 Piece 4 Bolt Enclosed • Standard Port • Threaded Connection • 2000 WOG • with Stainless Steel Trim



T-CS-2001N-SS-4B

Features

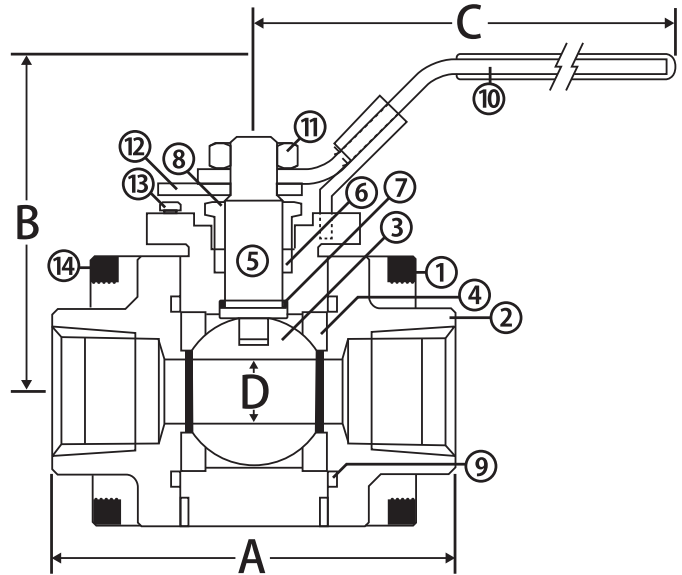
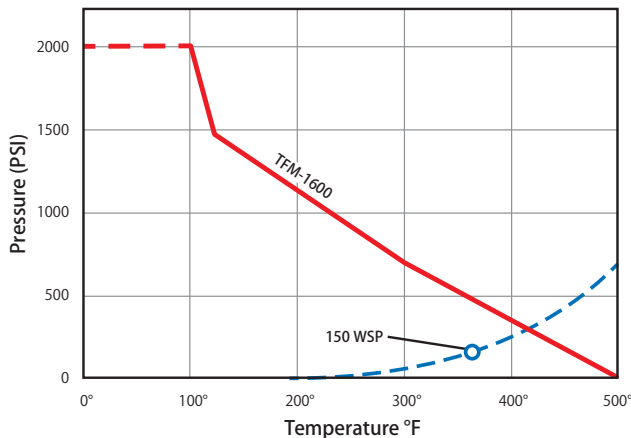
- Latch lock handle
- Reversible handle for multiple applications
- Solid ball construction
- Blow out proof stem
- Latch lock may be locked in open or closed position
- ISO 5211 mounting pad for actuation
- 29 in-HG vacuum rating
- Fire safe rated
- 100% leak tested

Approvals

- UL Listed 842 (49RO)
 - MHKZ - Manual valves
 - YQNZ - Compressed gas shut-off valves
 - YRBX - Flammable liquid shut-off valves
 - YRPV - Gas shut-off valves
 - YSDT - LP gas shut-off valves
 - YQAR - Anhydrous ammonia shut-off valves
- API 607 (4th edition) - fire safe rated
- Conforms to API 598
- NACE Certified
- MSS SP-110, SP-61, SP-82

Valve Seat Rating

2000 WOG - 150 WSP



Material Specifications

No.	Part	Materials
1	Body	WCB Carbon Steel
2	End Cap (2)	WCB Carbon Steel
3	Ball	CF8M Stainless Steel
4	Seat (2)	Hostaflo® TFM 1600
5	Stem	316 Stainless Steel
6	Packing (2)	RPTFE
7	Stem Seal	Hostaflo® TFM 1600
8	Packing Gland	1045 Carbon Steel
9	Body Seal (2)	Hostaflo® TFM 1600
10	Handle	A283 Carbon Steel
11	Handle Nut	304 Stainless Steel
12	Stop Plate	304 Stainless Steel
13	Lock Pin	304 Stainless Steel
14	Body Bolt (8)	A193-B7 Steel

Dimensions

Part No.	Size	A	B	C	D
601-613	1/2"	2.72	2.47	4.15	0.43
601-614	3/4"	2.94	2.70	4.15	0.55
601-615	1"	3.50	3.19	5.00	0.81
601-616	1-1/4"	3.90	3.64	5.98	0.98
601-617	1-1/2"	4.42	3.88	7.76	1.25
601-618	2"	5.04	4.09	7.76	1.50

Note: Information subject to change without notice.

Carbon Steel Ball Valve

**3 Piece 4 Bolt Enclosed • Standard Port • Socket Weld •
2000 WOG • with Stainless Steel Trim**



S-CS-2001N-SS-4B

Features

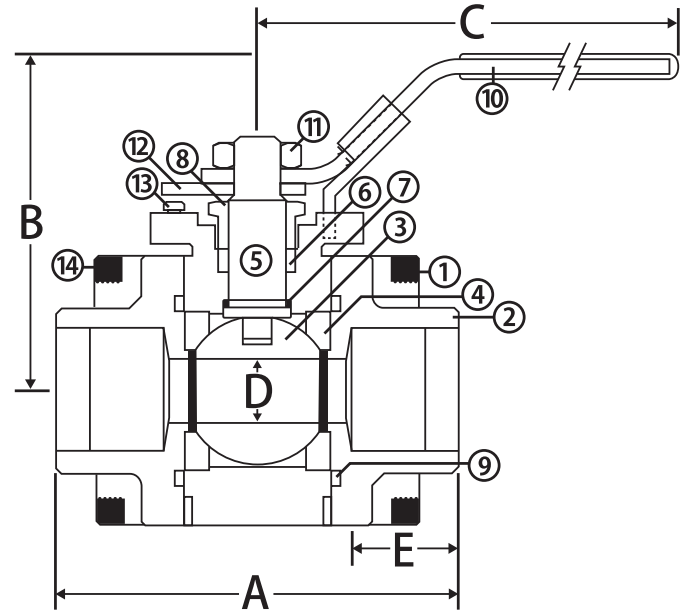
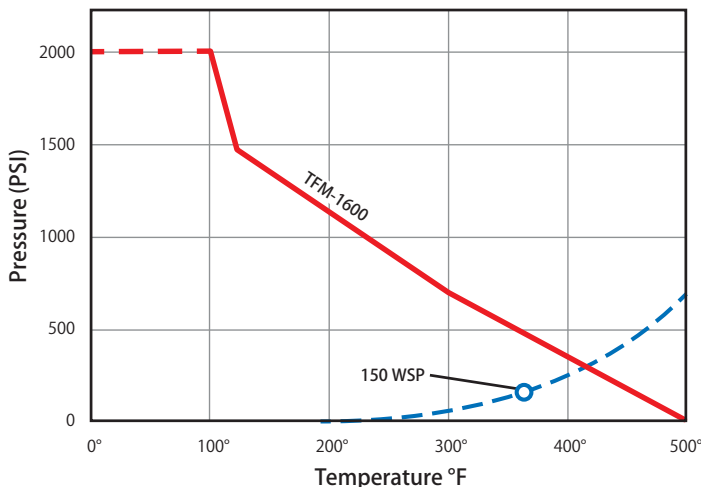
- Latch lock handle
- Reversible handle for multiple applications
- Solid ball construction
- Blow out proof stem
- Latch lock may be locked in open or closed position
- ISO 5211 mounting pad for actuation
- 29 in-HG vacuum rating
- Fire safe rated
- 100% leak tested

Approvals

- API 607 (4th edition) - fire safe rated
- Conforms to API 598
- NACE Certified
- MSS SP-110, SP-61, SP-82

Valve Seat Rating

2000 WOG - 150 WSP



Material Specifications

No.	Part	Materials
1	Body	WCB Carbon Steel
2	End Cap (2)	WCB Carbon Steel
3	Ball	CF8M Stainless Steel
4	Seat (2)	Hostaflon® TFM 1600
5	Stem	316 Stainless Steel
6	Packing (2)	RPTFE
7	Stem Seal	Hostaflon® TFM 1600
8	Packing Gland	1045 Carbon Steel
9	Body Seal (2)	Hostaflon® TFM 1600
10	Handle	A283 Carbon Steel
11	Handle Nut	304 Stainless Steel
12	Stop Plate	304 Stainless Steel
13	Lock Pin	304 Stainless Steel
14	Body Bolt (8)	A193-B7 Steel

Dimensions

Part No.	Size	A	B	C	D	E
601-633	1/2"	2.72	2.47	4.15	0.43	0.38
601-634	3/4"	2.94	2.70	4.15	0.55	0.50
601-635	1"	3.50	3.19	5.00	0.81	0.50
601-636	1-1/4"	3.90	3.64	5.98	0.98	0.50
601-637	1-1/2"	4.42	3.88	7.76	1.25	0.50
601-638	2"	5.04	4.09	7.76	1.50	0.62

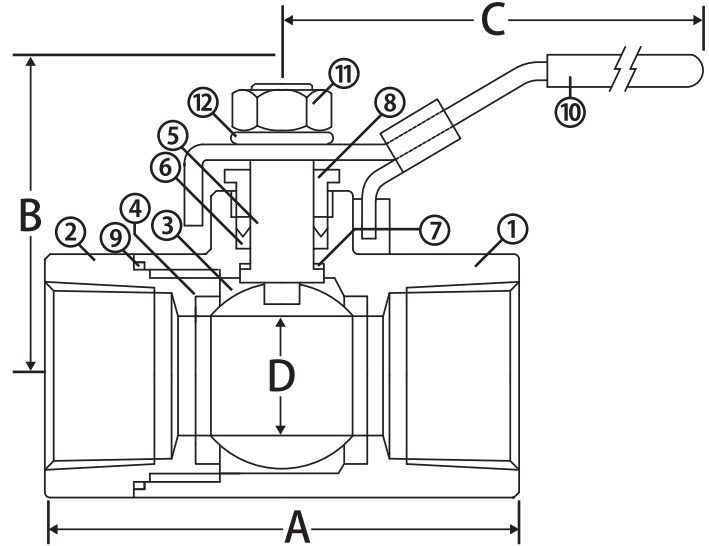
Carbon Steel Ball Valve



2 Piece • Standard Port • Threaded Connection • 2000 WOG • with Stainless Steel Trim



T-CS-2000N-SS



Features

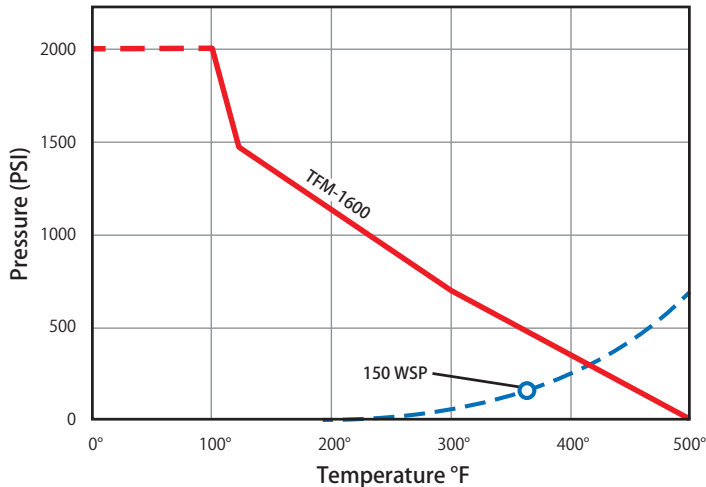
- Solid ball construction
- Latch lock may be locked in open or closed position
- 29 in-HG vacuum rating
- 100% leak tested

Approvals

- UL Listed 842 (49RO)
 - MHKZ - Manual valves
 - YQNZ - Compressed gas shut-off valves
 - YRBX - Flammable liquid shut-off valves
 - YRPV - Gas shut-off valves
 - YSDT - LP gas shut-off valves
 - YQAR - Anhydrous ammonia shut-off valves
- Conforms to ANSI B16.34 & API 598
- Thread: ANSI B1.20.1
- NACE Certified
- MSS SP-110

Valve Seat Rating

2000 WOG - 150 WSP



Material Specifications

No.	Part	Materials
1	Body	WCB Carbon Steel
2	End Connection	WCB Carbon Steel
3	Ball	CF8M Stainless Steel
4	Seat (2)	Hostafion® TFM 1600
5	Stem	316 Stainless Steel
6	Packing (2)	RPTFE
7	Stem Seal	Hostafion® TFM 1600
8	Packing Gland	12L14 Carbon Steel
9	Body Seal	Hostafion® TFM 1600
10	Handle	A283 Carbon Steel
11	Handle Nut	A283 Carbon Steel
12	Lock Washer	A283 Carbon Steel

Dimensions

Part No.	Size	A	B	C	D
100-951	1/4"	2.07	1.76	4.33	0.37
100-952	3/8"	2.07	1.76	4.33	0.37
100-953	1/2"	2.34	1.92	4.33	0.50
100-954	3/4"	2.80	2.40	5.83	0.69
100-955	1"	3.23	2.56	5.83	0.87
100-956	1-1/4"	3.57	2.74	7.76	1.00
100-957	1-1/2"	4.04	2.98	7.76	1.25
100-958	2"	4.63	3.17	7.76	1.50

Note: Information subject to change without notice.

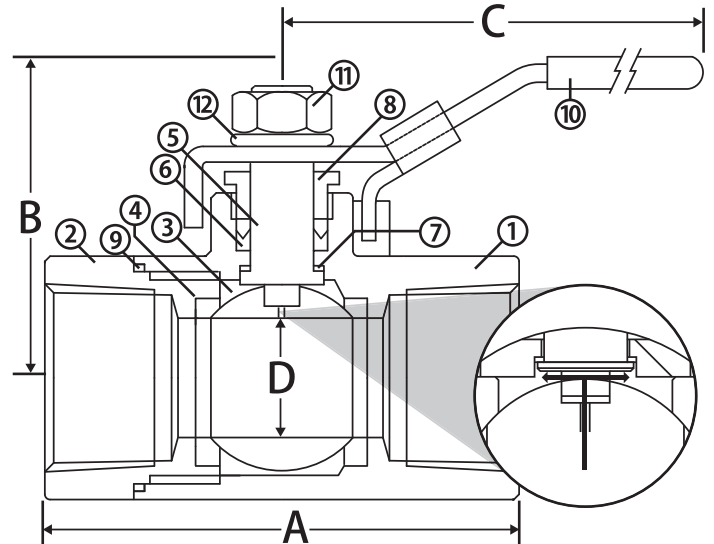
Carbon Steel Ball Valve

2 Piece • Standard Port • Threaded Connection • 2000 WOG • with Stainless Steel Trim and Vented Ball



T-CS-2000N-SS-VB

CRN# 0C0837.9C



Features

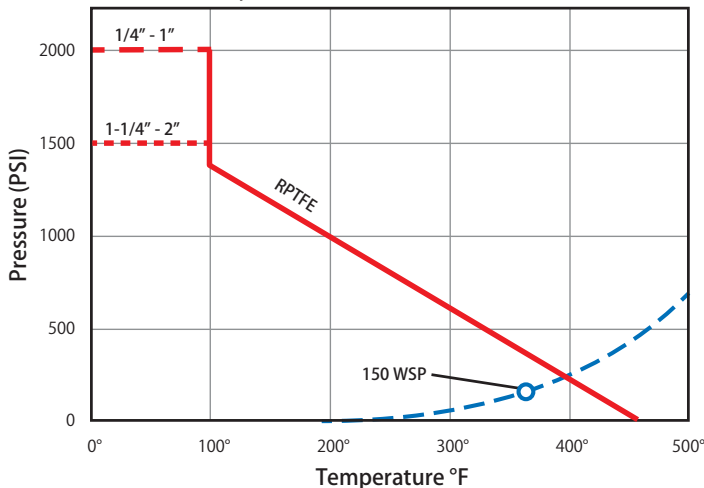
- Solid ball construction
- Latch lock may be locked in open or closed position
- 100% leak tested
- AVS Medium vacuum rating

Approvals

- ASME B16.34
- NACE Certified
- MSS SP-110

Valve Seat Rating

1/4" - 1" 2000 WOG, 1-1/4" - 2" 1500 WOG - 150 WSP



Material Specifications

No.	Part	Materials
1	Body	WCB Carbon Steel
2	End Connection	WCB Carbon Steel
3	Ball	CF8M Stainless Steel
4	Seat (2)	RPTFE
5	Stem	316 Stainless Steel
6	Packing (2)	PTFE
7	Stem Seal	PTFE
8	Packing Gland	12L14 Carbon Steel
9	Body Seal	PTFE
10	Handle	A283 Carbon Steel
11	Handle Nut	A283 Carbon Steel
12	Lock Washer	A283 Carbon Steel

Dimensions

Part No.	Size	A	B	C	D
100-951VB	1/4"	2.07	1.76	4.33	0.37
100-952VB	3/8"	2.07	1.76	4.33	0.37
100-953VB	1/2"	2.34	1.92	4.33	0.50
100-954VB	3/4"	2.80	2.40	5.83	0.69
100-955VB	1"	3.23	2.56	5.83	0.87
100-956VB	1-1/4"	3.57	2.74	7.76	1.00
100-957VB	1-1/2"	4.04	2.98	7.76	1.25
100-958VB	2"	4.63	3.17	7.76	1.50

Carbon Steel Ball Valve



3 Piece 4 Bolt • Swing Out Body • Full Port • Threaded Connection • 1000 WOG • with Stainless Steel Trim



T-CS-1000N-SS-4B

Features

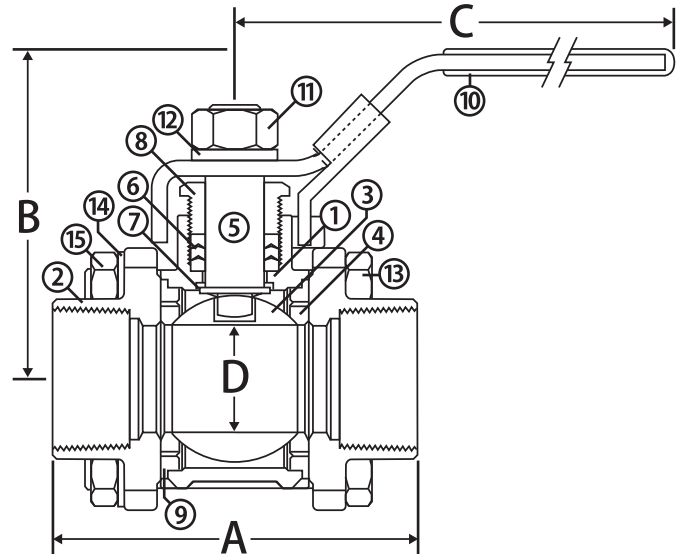
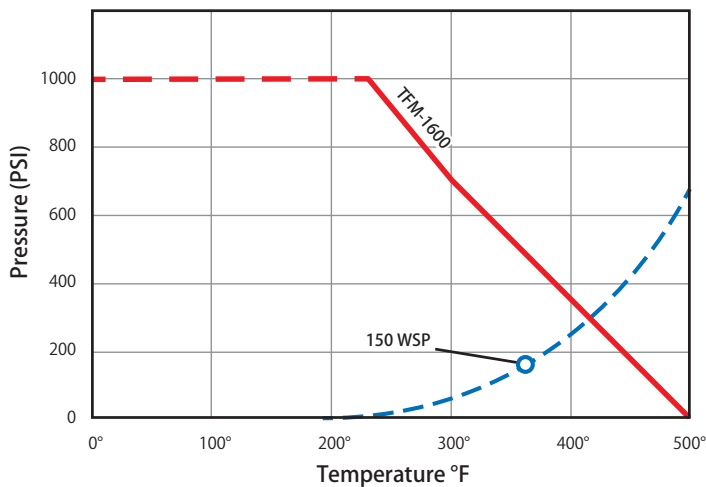
- Latch lock handle, may be locked in open or closed positions
- 29 in-HG vacuum rating
- Repair parts available
- 100% leak tested

Approvals

- UL Listed 842 (49RO)
 - MHKZ - Manual valves
 - YQNZ - Compressed gas shut-off valves
 - YRBX - Flammable liquid shut-off valves
 - YRPV - Gas shut-off valves
 - YSDT - LP gas shut-off valves
 - YQAR - Anhydrous ammonia shut-off valves
- NACE Certified
- MSS SP-110

Valve Seat Rating

1000 WOG - 150 WSP



Material Specifications

No.	Part	Materials
1	Body	WCB Carbon Steel
2	End Cap (2)	WCB Carbon Steel
3	Ball	CF8M Stainless Steel
4	Seat (2)	Hostaflo [®] TFM 1600
5	Stem	316 Stainless Steel
6	Packing (2)	RPTFE
7	Stem Seal	Hostaflo [®] TFM 1600
8	Packing Gland	1045 Carbon Steel
9	Body Seal (2)	Hostaflo [®] TFM 1600
10	Handle	A283 Carbon Steel
11	Handle Nut	A283 Carbon Steel
12	Lock Washer	A283 Carbon Steel
13	Body Bolt (4)	A283 Carbon Steel
14	Body Lock Washer (4)	A283 Carbon Steel
15	Body Nut (4)	A283 Carbon Steel

Dimensions

Part No.	Size	A	B	C	D
500-401	1/4"	2.37	2.18	4.30	0.43
500-402	3/8"	2.37	2.18	4.30	0.43
500-403	1/2"	2.76	2.38	4.30	0.56
500-404	3/4"	3.03	2.87	5.81	0.81
500-405	1"	3.63	2.95	5.81	1.00
500-406	1-1/4"	4.14	3.66	7.44	1.25
500-407	1-1/2"	4.73	3.94	7.44	1.50
500-408	2"	5.43	4.25	7.81	1.97

Note: Information subject to change without notice.

Carbon Steel Ball Valve

**3 Piece 4 Bolt • Swing Out Body • Full Port • Socket Weld •
1000 WOG • with Stainless Steel Trim**



S-CS-1000N-SS-4B

Features

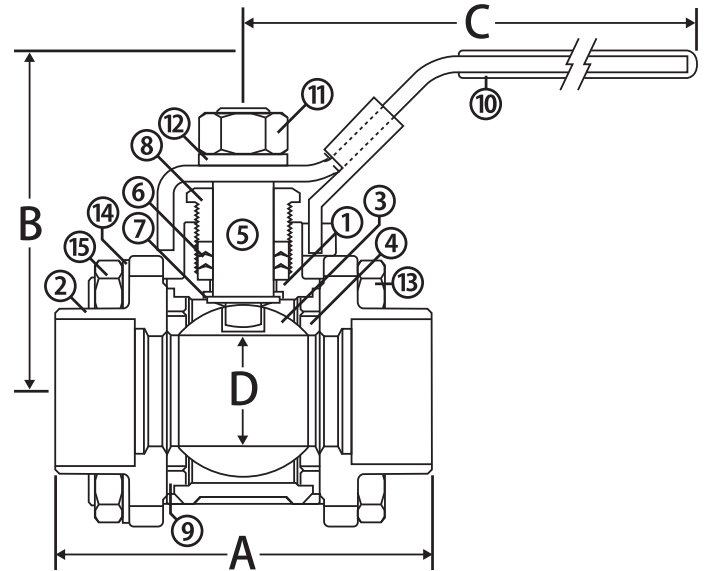
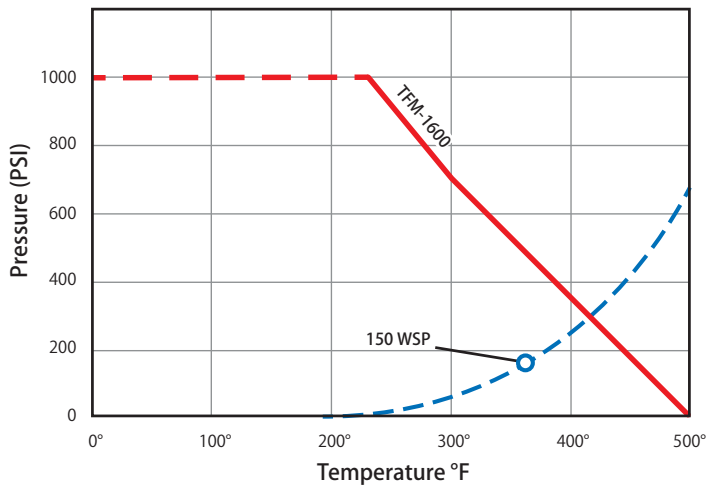
- Latch lock handle, may be locked in open or closed positions
- 29 in-HG vacuum rating
- Repair parts available
- 100% leak tested

Approvals

- UL Listed 842 (49RO)
 - YSDT - LP gas shut-off valves
 - YQAR - Anhydrous ammonia shut-off valves
- NACE Certified
- MSS SP-110

Valve Seat Rating

1000 WOG - 150 WSP



Material Specifications

No.	Part	Materials
1	Body	WCB Carbon Steel
2	End Cap (2)	WCB Carbon Steel
3	Ball	CF8M Stainless Steel
4	Seat (2)	Hostaflon® TFM 1600
5	Stem	316 Stainless Steel
6	Packing (2)	RPTFE
7	Stem Seal	Hostaflon® TFM 1600
8	Packing Gland	1045 Carbon Steel
9	Body Seal (2)	Hostaflon® TFM 1600
10	Handle	A283 Carbon Steel
11	Handle Nut	A283 Carbon Steel
12	Lock Washer	A283 Carbon Steel
13	Body Bolt (4)	A283 Carbon Steel
14	Body Lock Washer (4)	A283 Carbon Steel
15	Body Nut (4)	A283 Carbon Steel

Dimensions

Part No.	Size	A	B	C	D
500-503	1/2"	2.76	2.38	4.30	0.56
500-504	3/4"	3.03	2.87	5.81	0.81
500-505	1"	3.63	2.95	5.81	1.00
500-506	1-1/4"	4.14	3.66	7.44	1.25
500-507	1-1/2"	4.73	3.94	7.44	1.50
500-508	2"	5.43	4.25	7.81	1.97

Carbon Steel Ball Valve



2 Piece • Full Port • Threaded Connection • 1000 WOG • with Stainless Steel Trim



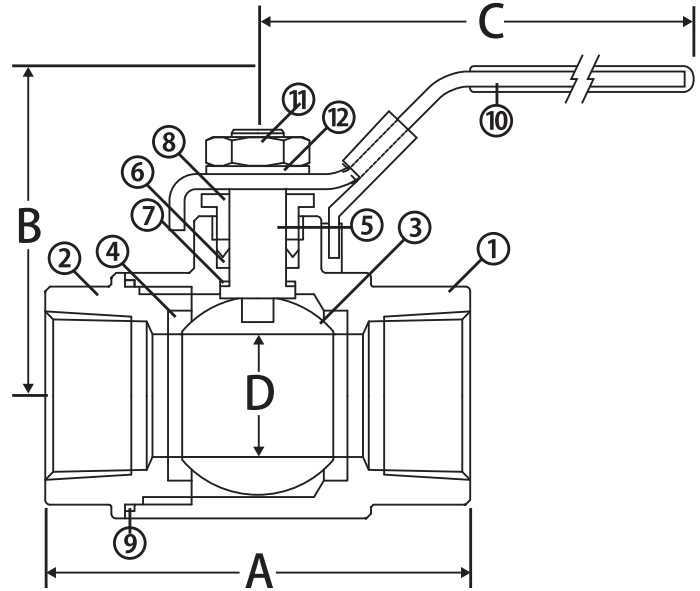
T-CS-1001N-SS

Features

- Solid ball construction
- Latch lock handle may be locked in open or closed position
- 29 in-HG vacuum rating
- 100% leak tested

Approvals

- UL Listed 842 (49RO)
 - MHKZ - Manual valves
 - YQNZ - Compressed gas shut-off valves
 - YRBX - Flammable liquid shut-off valves
 - YRPV - Gas shut-off valves
 - YSDT - LP gas shut-off valves
 - YQAR - Anhydrous ammonia shut-off valves
- Conforms to API 598
- ANSI B16.34
- MSS SP-110, SP-61, SP-82
- NACE Certified

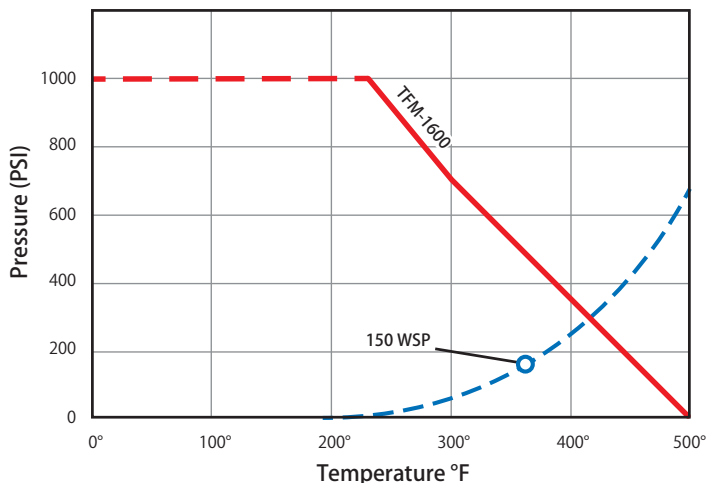


Material Specifications

No.	Part	Materials
1	End Connection	WCB Carbon Steel
2	Ball	CF8M Stainless Steel
3	Seat (2)	Hostaflon® TFM 1600
4	Stem	316 Stainless Steel
5	Packing (2)	RPTFE
6	Stem Seal	Hostaflon® TFM 1600
7	Packing Gland	1045 Carbon Steel
8	Body Seal	Hostaflon® TFM 1600
9	Handle	A283 Carbon Steel
10	Handle Nut	A283 Carbon Steel
11	Lock Washer	1008 Carbon Steel
12	Handle Nut	304 Stainless Steel

Valve Seat Rating

1000 WOG - 150 WSP



Dimensions

Part No.	Size	A	B	C	D
100-971	1/4"	2.20	2.20	4.21	0.43
100-972	3/8"	2.20	2.20	4.21	0.43
100-973	1/2"	2.60	2.30	4.21	0.56
100-974	3/4"	2.99	2.79	5.73	0.81
100-975	1"	3.54	2.96	5.73	1.00
100-976	1-1/4"	3.94	3.56	7.45	1.25
100-977	1-1/2"	4.41	3.84	7.45	1.50
100-978	2"	5.00	4.24	8.08	1.97

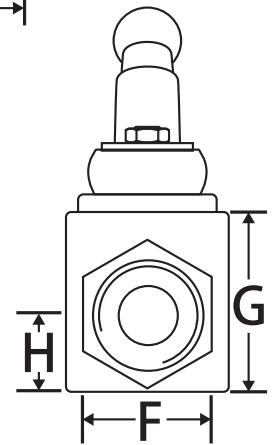
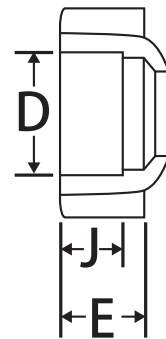
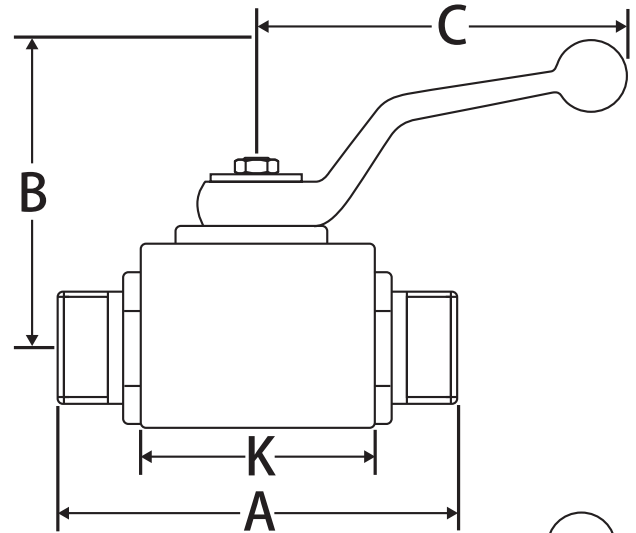
Note: Information subject to change without notice.

Carbon Steel Ball Valve

3 Piece • Full Port • Threaded Connection • 7500 WOG • with Stainless Steel Trim



T-CS-4000

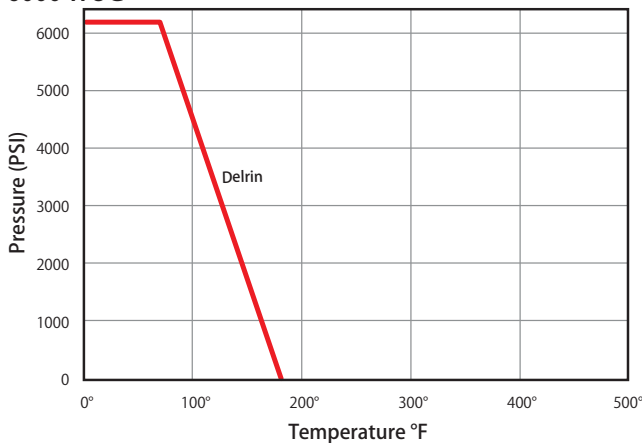


Features

- Body pressure ratings:
 - 7500 PSI for 1/4" to 1/2"
 - 4800 PSI for 3/4" to 2"
- Temperature rating: 14°F to 176°F
- Safety factor: 2 to 1
- Delrin ball seats
- Viton stem seal
- NPT female thread to ANSI B1.20.1
- Lockable handle (1/4" - 1")
- Sizes 1/4" to 1" one block body design
- 1-1/4" to 2" are rounded body design
- 100% leak tested

Valve Seat Rating

6000 WOG



Material Specifications

Part	Materials
Body	Carbon Steel AISI 1213
Ball	Carbon Steel AISI 1213, Hard Chrome Plated
Ball Seat	POM
Stem	Carbon Steel AISI 1213
Stem Seal	FPM
Connector	Carbon Steel AISI 1213
Handle	Zinc Die Casting

Dimensions

Part No.	Size	A	B	C	D	E	F	G	H	J	K	L
100-941	1/4"	2.72	2.17	2.99	0.79	0.75	0.28	0.98	0.39	0.39	1.42	1.36
100-942	3/8"	2.87	2.68	3.94	1.18	0.94	0.31	1.38	0.57	0.41	1.77	1.44
100-943	1/2"	3.23	3.62	4.41	1.38	1.18	0.39	1.57	0.67	0.54	2.01	1.61
100-944	3/4"	3.66	4.45	7.36	1.77	1.61	0.55	2.17	0.94	0.55	2.36	1.83
100-945	1"	4.45	4.65	7.36	2.17	1.97	0.55	2.36	1.02	0.66	2.76	2.22
100-946	1-1/4"	4.33	4.11	9.45	2.87	2.36	0.67	3.15	1.44	0.68	2.76	2.30
100-947	1-1/2"	4.49	4.51	9.45	3.35	2.76	0.67	3.54	1.67	0.68	2.95	2.24
100-948	2"	5.12	5.2	12.6	3.9	3.35	0.67	4.09	1.95	0.7	3.5	2.56

Stainless Steel Ball Valve



2 Piece • Full Port • Flanged Connection • Class 300



FL-SS-100-300

CRN# OC15754.5

Features

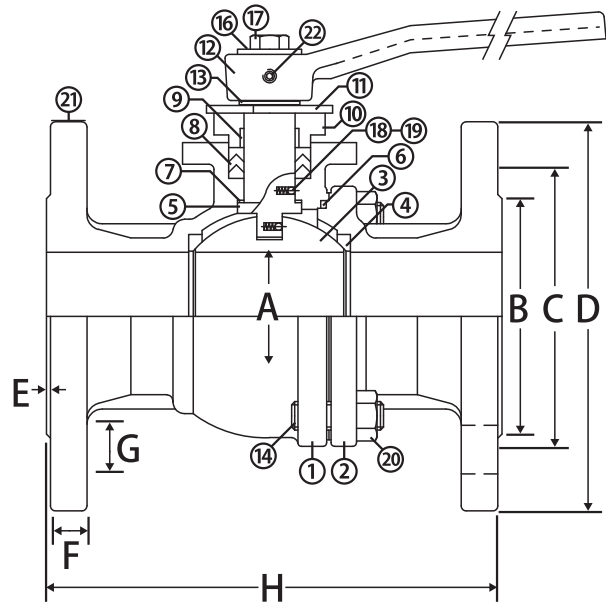
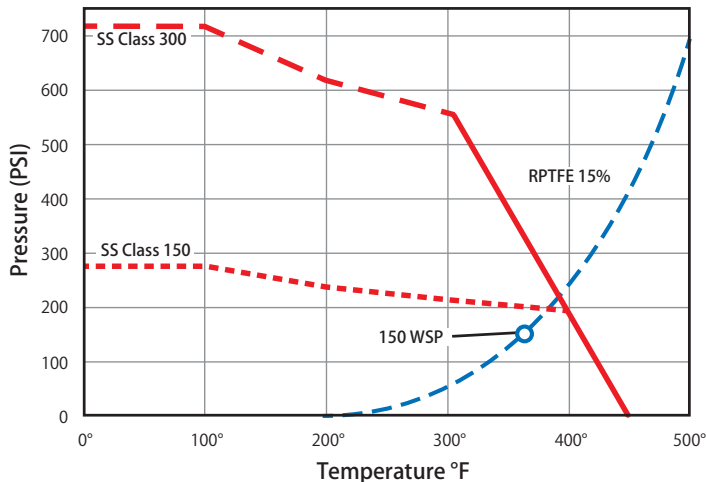
- Wrench operator
- Fire safe stem and body graphite seals
- Air tested seat leakage: 85 PSI
- Hydraulic tested body: 1124 PSI
- Locking device comes standard
- 100% leak tested

Approvals

- CSA Certified 125 PSIG on sizes 2" - 8"
- Conforms to ANSI B16.34
- Flange: ANSI B16.5
- Face to Face: ANSI B16.10
- API 607 Fire Safe
- NACE 01-75 stainless steel approved

Valve Seat Rating

Class 300: 700 WOG, Class 150: 300 WOG - 150 WSP



Material Specifications

No.	Part	Materials
1	Body	CF8M Stainless Steel
2	Body Cap	CF8M Stainless Steel
3	Ball	CF8M Stainless Steel
4	Seat (2)	RPTFE - 15%
5	Stem	316 Stainless Steel
6	Body Seal	PTFE
7	Stem Seal	PTFE
8	Packing Gland (3)	PTFE
9	Gland Bushing	PTFE
10	Gland Flange	CF8 Stainless Steel
11	Stop Plate	304 Stainless Steel
12	Handle	Ductile Iron
13	Snap Ring	301 Stainless Steel
14	Body Bolt (4 or 6)	A193-B8 Steel
15	Gland Bolt (2)*	A193-B8 Steel
16	Handle Washer	304 Stainless Steel
17	Handle Bolt	304 Stainless Steel
18	Static Device (2)	304 Stainless Steel
19	Spring (2)	304 Stainless Steel
20	Body Nut (4 or 6)**	A194-8M Steel
21	Tag	304 Stainless Steel
22	Set Screw	304 Stainless Steel

* Not shown in drawing

** Component only on +5" valves

Dimensions

Part No.	Size	A	B	C	D	E	F	G	H	Bolts
600-128	2"	1.97	3.62	5.00	6.50	0.06	0.88	0.75	8.50	8
600-130	3"	3.15	5.00	6.62	8.27	0.06	1.17	0.88	11.10	8
600-131	4"	3.94	6.19	7.88	10.00	0.06	1.25	0.88	12.00	8
600-132	6"	5.90	8.51	10.64	12.53	0.06	1.44	0.88	15.88	12
600-133*	8"	7.88	10.64	13.00	15.01	0.06	1.62	1.00	19.75	12

*8" Special Order

Note: Information subject to change without notice.

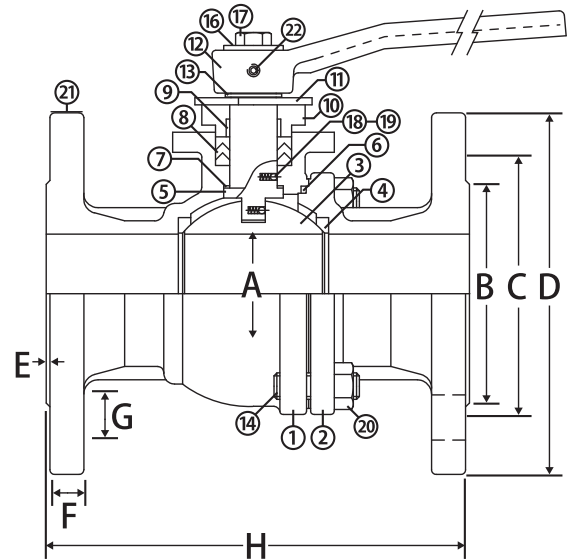
Stainless Steel Ball Valve

2 Piece • Full Port • Flanged Connection • Class 150



FL-SS-100-150

CRN# 0C15754.5



Features

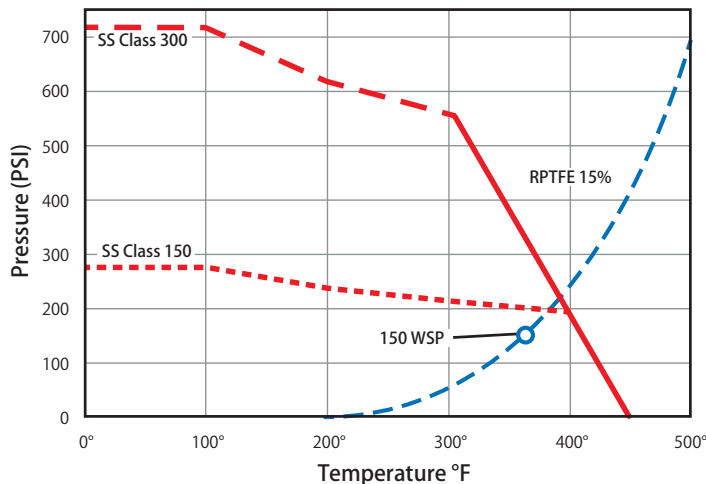
- Wrench operator
- Fire safe stem and body graphite seals
- Air tested seat leakage: 85 PSI
- Hydraulic tested body: 427 PSI
- 100% leak tested

Approvals

- UL Certified
- CSA Certified 125 PSIG on sizes 2" - 8"
 - CGA 3.16
- Conforms to ANSI B16.34
- Flange: ANSI B16.5
- Face to Face: ANSI B16.10
- API 607 Fire Safe
- NACE 01-75 stainless steel approved

Valve Seat Rating

Class 300: 700 WOG, Class 150: 300 WOG - 150 WSP



Material Specifications

No.	Part	Materials
1	Body	CF8M Stainless Steel
2	Body Cap	CF8M Stainless Steel
3	Ball	CF8M Stainless Steel
4	Seat (2)	RPTFE - 15%
5	Stem	316 Stainless Steel
6	Body Seal	PTFE
7	Stem Seal	PTFE
8	Packing Gland (3)	PTFE
9	Gland Bushing	PTFE
10	Gland Flange	CF8 Stainless Steel
11	Stop Plate	304 Stainless Steel
12	Handle	WCB Carbon Steel
13	Snap Ring	301 Stainless Steel
14	Body Bolt (4 or 6)	A193-B8M Steel
15	Gland Bolt (2)*	304 Stainless Steel
16	Handle Washer	304 Stainless Steel
17	Handle Bolt	304 Stainless Steel
18	Static Device (2)	304 Stainless Steel
19	Spring (2)	304 Stainless Steel
20	Body Nut (4 or 6)**	A194-8M Steel
21	Tag	304 Stainless Steel
22	Set Screw	304 Stainless Steel

* Not shown in drawing, ** Component only on +5" valves

Dimensions

Part No.	Size	A	B	C	D	E	F	G	H	Bolts
600-103	1/2"	0.63	1.38	2.38	3.50	0.06	0.44	0.63	4.25	4
600-104	3/4"	0.79	1.69	2.76	3.86	0.06	0.44	0.63	4.61	4
600-105	1"	0.98	2.01	3.13	4.25	0.06	0.44	0.63	5.00	4
600-107	1-1/2"	1.50	2.87	3.88	5.00	0.06	0.56	0.63	6.50	4
600-108	2"	1.97	3.62	4.74	5.98	0.06	0.63	0.75	7.01	4
600-109	2-1/2"	2.56	4.13	5.49	7.01	0.06	0.69	0.75	7.48	4
600-110	3"	3.15	5.00	6.00	7.48	0.06	0.75	0.75	7.99	4
600-111	4"	3.94	6.18	7.50	9.02	0.06	0.94	0.75	9.02	8
600-112	6"	5.98	8.50	9.51	10.98	0.06	1.00	0.87	15.51	8
600-113*	8"	7.99	10.63	11.75	13.50	0.06	1.12	0.87	17.99	8
600-114*	10"	9.84	12.76	14.25	15.98	0.06	1.19	0.98	20.98	12
600-115*	12"	11.81	12.52	17.01	19.02	0.06	1.25	0.98	24.02	12

*8-12" Special Order

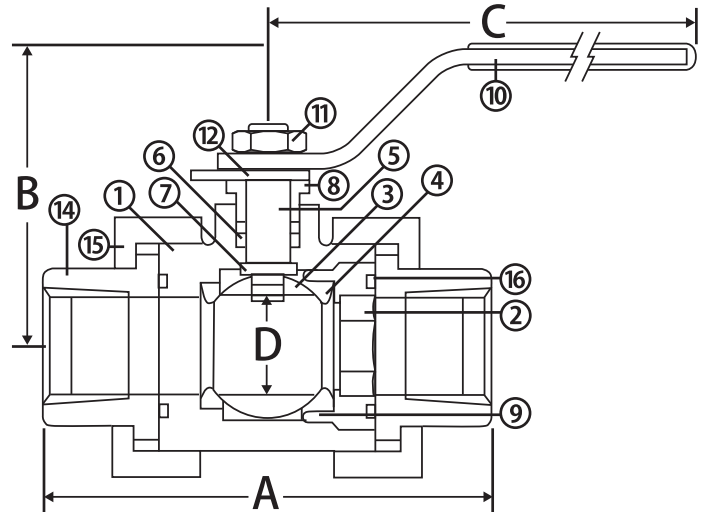
Stainless Steel Ball Valve



5 Piece • Full Port • Double Union End • Threaded Connection • 3000 WOG



T-SS-2002N-DUE



Features

- Solid ball construction
- 5 piece construction
- Mounting pad
- Reversible handle
- Adjustable stem packing with blow out proof stem
- 29 in-HG vacuum rating
- 100% leak tested

Approvals

- UL Listed 842 (49RO)
 - MHKZ - Manual valves
 - YQNZ - Compressed gas shut-off valves
 - YRBX - Flammable liquid shut-off valves
 - YRPV - Gas shut-off valves
 - YSDT - LP gas shut-off valves
 - YQAR - Anhydrous ammonia shut-off valves
- API-598
- ANSI B1.20.1
- ANSI B16.11
- MSS SP-110
- NACE Certified

Material Specifications

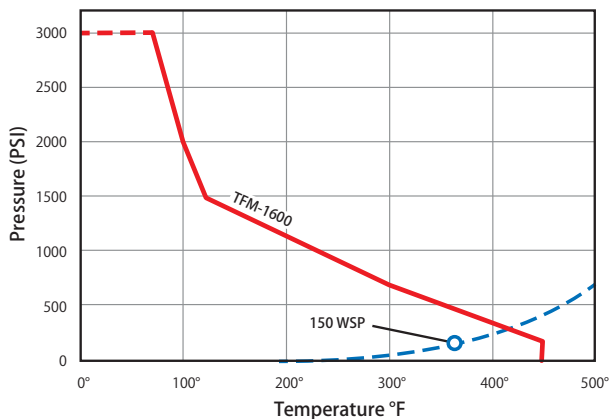
No.	Part	Materials
1	Body	CF8M Stainless Steel
2	Body Insert	CF8M Stainless Steel
3	Ball	CF8M Stainless Steel
4	Seat (2)	Hostaflo [®] TFM 1600
5	Stem	316 Stainless Steel
6	Packing (2)	RPTFE
7	Stem Seal	Hostaflo [®] TFM 1600
8	Packing Gland	304 Stainless Steel
9	Body Seal (2)	Hostaflo [®] TFM 1600
10	Handle	304 Stainless Steel
11	Handle Nut	304 Stainless Steel
12	Stop Plate	304 Stainless Steel
13	Lock Pin*	304 Stainless Steel
14	Tail Piece (2)	CF8M Stainless Steel
15	Union Nut (2)	CF8M Stainless Steel
16	Union Seal (2)	Hostaflo [®] TFM 1600

* Not shown in drawing

Dimensions

Part No.	Size	A	B	C	D
100-981	1/4"	3.58	2.40	4.17	0.44
100-982	3/8"	3.58	2.40	4.17	0.44
100-983	1/2"	3.58	2.40	4.17	0.62
100-984	3/4"	3.74	2.79	6.97	0.81
100-985	1"	4.29	2.96	6.97	1.00
100-986	1-1/4"	4.61	3.38	9.84	1.25
100-987	1-1/2"	5.24	3.67	9.84	1.50
100-988	2"	5.71	4.52	12.24	1.97

Valve Seat Rating 3000 WOG - 150 WSP



Note: Information subject to change without notice.

Stainless Steel Ball Valve

**5 Piece • Full Port • Double Union End • Socket Weld •
3000 WOG**



S-SS-2002N-DUE

Features

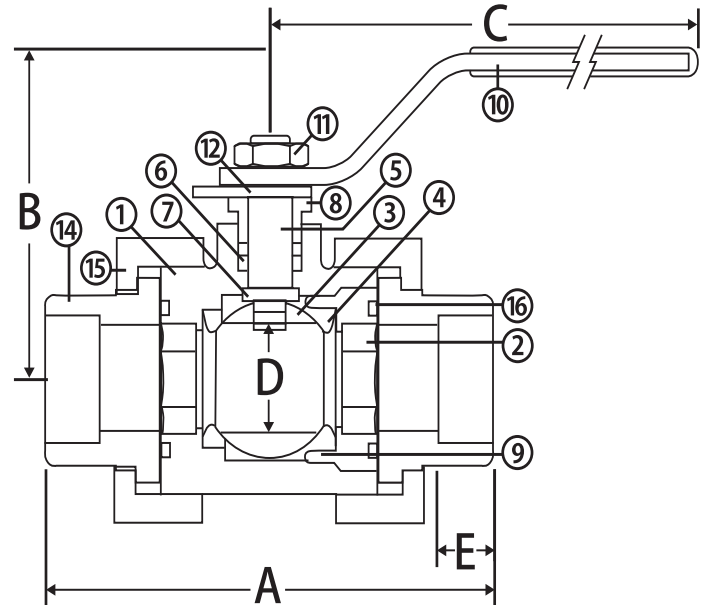
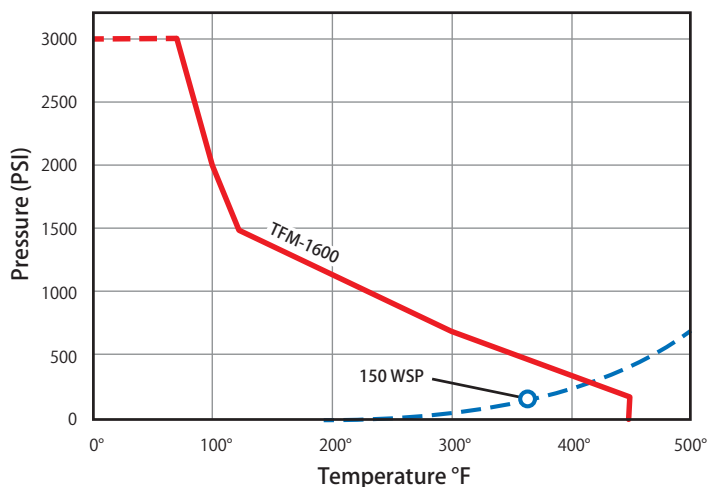
- Solid ball construction
- 5 piece construction
- Mounting pad
- Reversible handle
- Adjustable stem packing with blow out proof stem
- 29 in-HG vacuum rating
- 100% leak tested

Approvals

- API-598
- ANSI B16.11
- MSS SP-110
- NACE Certified

Valve Seat Rating

3000 WOG - 150 WSP



Material Specifications

No.	Part	Materials
1	Body	CF8M Stainless Steel
2	Body Insert	CF8M Stainless Steel
3	Ball	CF8M Stainless Steel
4	Seat (2)	Hostaflo [®] TFM 1600
5	Stem	316 Stainless Steel
6	Packing (2)	RPTFE
7	Stem Seal	Hostaflo [®] TFM 1600
8	Packing Gland	304 Stainless Steel
9	Body Seal (2)	Hostaflo [®] TFM 1600
10	Handle	304 Stainless Steel
11	Handle Nut	304 Stainless Steel
12	Stop Plate	304 Stainless Steel
13	Lock Pin*	304 Stainless Steel
14	Tail Piece (2)	CF8M Stainless Steel
15	Union Nut (2)	CF8M Stainless Steel
16	Union Seal (2)	Hostaflo [®] TFM 1600

* Not shown in drawing

Dimensions

Part No.	Size	A	B	C	D	E
101-981	1/4"	3.58	2.40	4.17	0.44	0.41
101-982	3/8"	3.58	2.40	4.17	0.44	0.41
101-983	1/2"	3.58	2.40	4.17	0.62	0.44
101-984	3/4"	3.74	2.79	6.97	0.81	0.56
101-985	1"	4.29	2.96	6.97	1.00	0.72
101-986	1-1/4"	4.61	3.38	9.84	1.25	0.72
101-987	1-1/2"	5.24	3.67	9.84	1.50	0.72
101-988	2"	5.71	4.52	12.24	1.97	0.84

Stainless Steel Ball Valve



3 Piece 4 Bolt Enclosed • Standard Port • Threaded Connection • 2000 WOG



T-SS-2001N-4B

Features

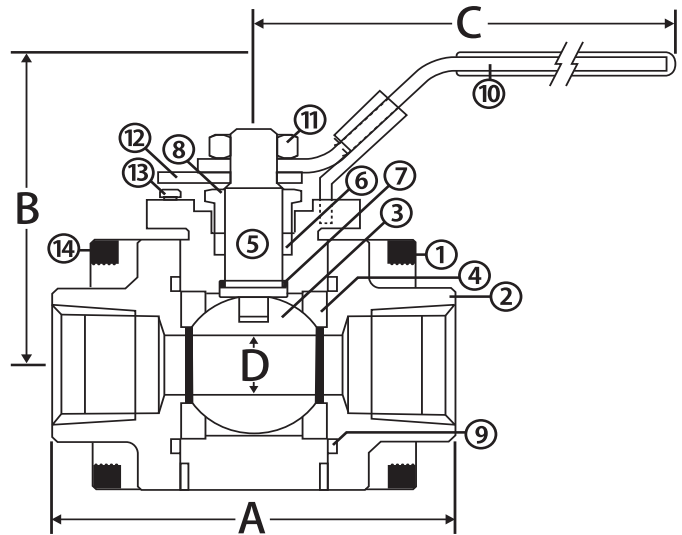
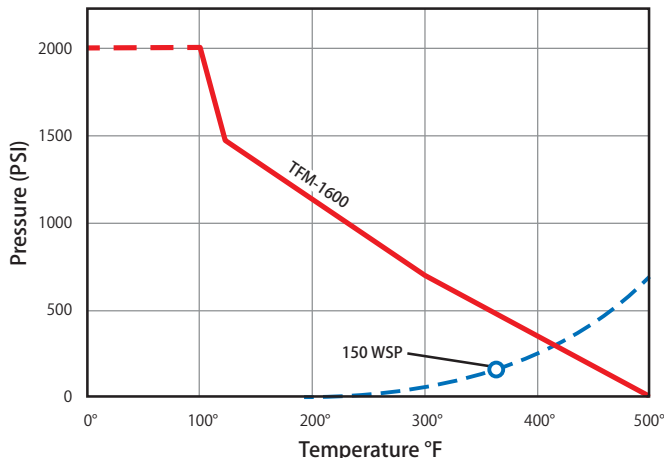
- Latch lock handle
- Reversible handle for multiple applications
- Solid ball construction
- Blow out proof stem
- Latch lock handle may be locked in open or closed position
- ISO 5211 mounting pad for actuation
- 29 in-HG vacuum rating
- Fire safe rated
- 100% leak tested

Approvals

- UL Listed 842 (49RO)
 - MHKZ - Manual valves
 - YQNZ - Compressed gas shut-off valves
 - YRBX - Flammable liquid shut-off valves
 - YRPV - Gas shut-off valves
 - YSDT - LP gas shut-off valves
 - YQAR - Anhydrous ammonia shut-off valves
- API 607 (4th edition) - Fire Safe Rated
- Conforms to API 598
- MSS SP-110, SP-61, SP-81
- NACE Certified

Valve Seat Rating

2000 WOG - 150 WSP



Material Specifications

No.	Part	Materials
1	Body	CF8M Stainless Steel
2	End Cap (2)	CF8M Stainless Steel
3	Ball	CF8M Stainless Steel
4	Seat (2)	Hostaflo [®] TFM 1600
5	Stem	316 Stainless Steel
6	Packing (2)	RPTFE
7	Stem Seal	Hostaflo [®] TFM 1600
8	Packing Gland	304 Stainless Steel
9	Body Seal (2)	Hostaflo [®] TFM 1600
10	Handle	304 Stainless Steel
11	Handle Nut	304 Stainless Steel
12	Stop Plate	304 Stainless Steel
13	Lock Pin	304 Stainless Steel
14	Body Bolt (8)	A193-B8 Stainless Steel

Dimensions

Part No.	Size	A	B	C	D
601-603	1/2"	2.72	2.47	4.15	0.43
601-604	3/4"	2.94	2.70	4.15	0.55
601-605	1"	3.50	3.19	5.00	0.81
601-606	1-1/4"	3.90	3.64	5.98	0.98
601-607	1-1/2"	4.42	3.88	7.76	1.25
601-608	2"	5.04	4.09	7.76	1.50

Note: Information subject to change without notice.

Stainless Steel Ball Valve

**3 Piece 4 Bolt Enclosed • Standard Port • Socket Weld •
2000 WOG**



S-SS-2001N-4B

Features

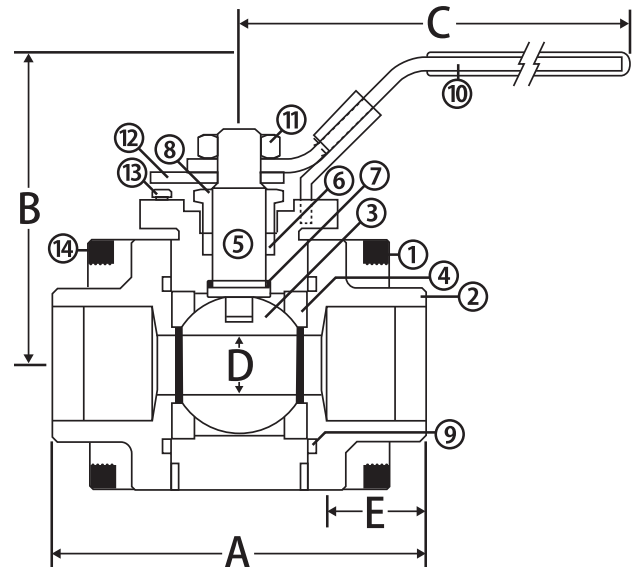
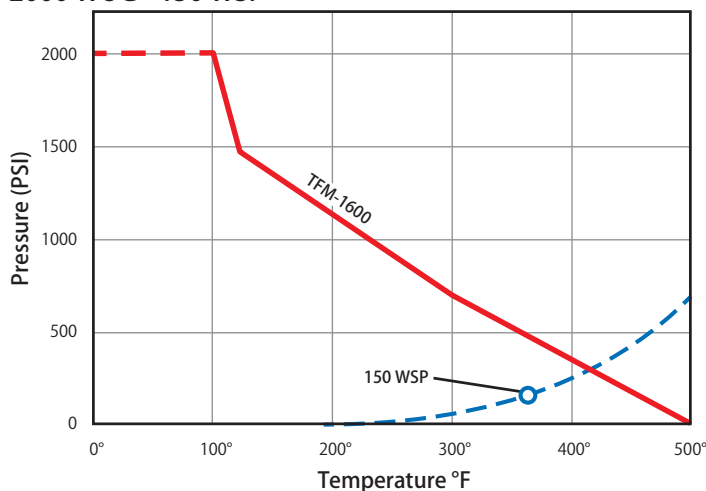
- Latch lock handle
- Reversible handle for multiple applications
- Solid ball construction
- Blow out proof stem
- Latch lock handle may be locked in open or closed position
- ISO 5211 mounting pad for actuation
- 29 in-HG vacuum rating
- Fire safe rated
- 100% leak tested

Approvals

- API 607 (4th edition) - Fire Safe Rated
- Conforms to API 598
- MSS SP-110, SP-61, SP-82
- NACE Certified

Valve Seat Rating

2000 WOG - 150 WSP



Material Specifications

No.	Part	Materials
1	Body	CF8M Stainless Steel
2	End Cap (2)	CF8M Stainless Steel
3	Ball	CF8M Stainless Steel
4	Seat (2)	Hostaflon® TFM 1600
5	Stem	316 Stainless Steel
6	Packing (2)	RPTFE
7	Stem Seal	Hostaflon® TFM 1600
8	Packing Gland	304 Stainless Steel
9	Body Seal (2)	Hostaflon® TFM 1600
10	Handle	304 Stainless Steel
11	Handle Nut	304 Stainless Steel
12	Stop Plate	304 Stainless Steel
13	Lock Pin	304 Stainless Steel
14	Body Bolt (8)	A193-B8 Stainless Steel

Dimensions

Part No.	Size	A	B	C	D	E
601-623	1/2"	2.72	2.47	4.15	0.43	0.38
601-624	3/4"	2.94	2.70	4.15	0.55	0.50
601-625	1"	3.50	3.19	5.00	0.81	0.50
601-626	1-1/4"	3.90	3.64	5.98	0.98	0.50
601-627	1-1/2"	4.42	3.88	7.76	1.25	0.50
601-628	2"	5.04	4.09	7.76	1.50	0.62

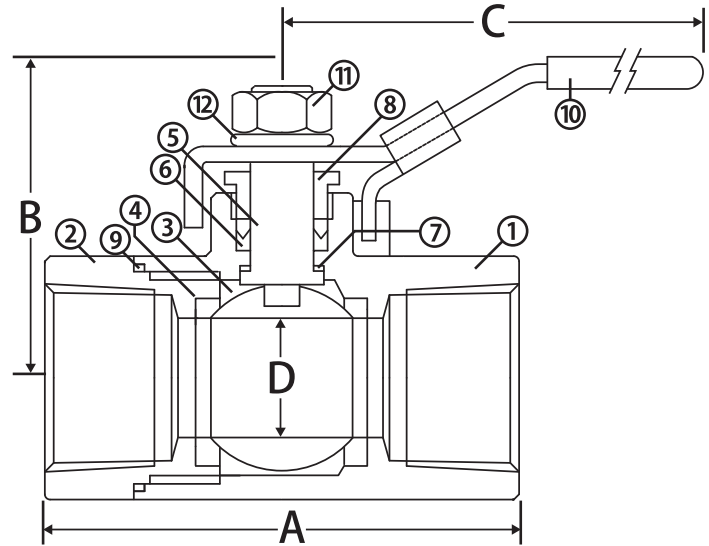
Stainless Steel Ball Valve



2 Piece • Standard Port • Threaded Connection • 2000 WOG



T-SS-2000N



Features

- Solid ball construction
- 29 in-HG vacuum rating
- Latch lock may be locked in open or closed position
- 100% leak tested

Approvals

- UL Listed 842 (49RO)
 - MHKZ - Manual valves
 - YQNZ - Compressed gas shut-off valves
 - YRBX - Flammable liquid shut-off valves
 - YRPV - Gas shut-off valves
 - YSDT - LP gas shut-off valves
 - YQAR - Anhydrous ammonia shut-off valves
- Conforms to API 598
- Thread: ANSI B1.20.1 (NPT)
- MSS SP-110
- NACE Certified

Material Specifications

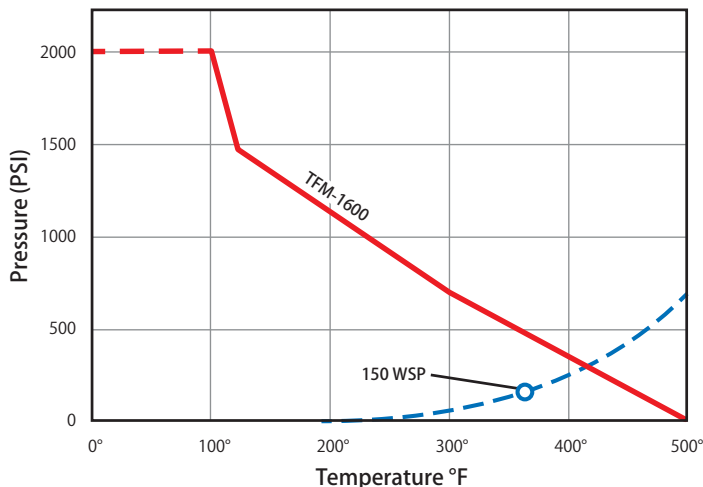
No.	Part	Materials
1	Body	CF8M Stainless Steel
2	End Connection	CF8M Stainless Steel
3	Ball	CF8M Stainless Steel
4	Seat (2)	Hostaflo [®] TFM 1600
5	Stem	316 Stainless Steel
6	Packing (2)	RPTFE
7	Stem Seal	Hostaflo [®] TFM 1600
8	Packing Gland	316 Stainless Steel
9	Body Seal	Hostaflo [®] TFM 1600
10	Handle	304 Stainless Steel
11	Handle Nut	304 Stainless Steel
12	Lock Washer	304 Stainless Steel

Dimensions

Part No.	Size	A	B	C	D
100-931	1/4"	2.34	1.94	4.06	0.44
100-932	3/8"	2.34	1.94	4.06	0.49
100-933	1/2"	2.34	1.94	4.06	0.49
100-934	3/4"	2.63	2.21	4.06	0.59
100-935	1"	2.98	2.49	4.29	0.79
100-936	1-1/4"	3.49	3.08	5.71	0.98
100-937	1-1/2"	3.84	3.24	5.71	1.26
100-938	2"	4.80	3.66	7.09	1.50

Valve Seat Rating

2000 WOG - 150 WSP



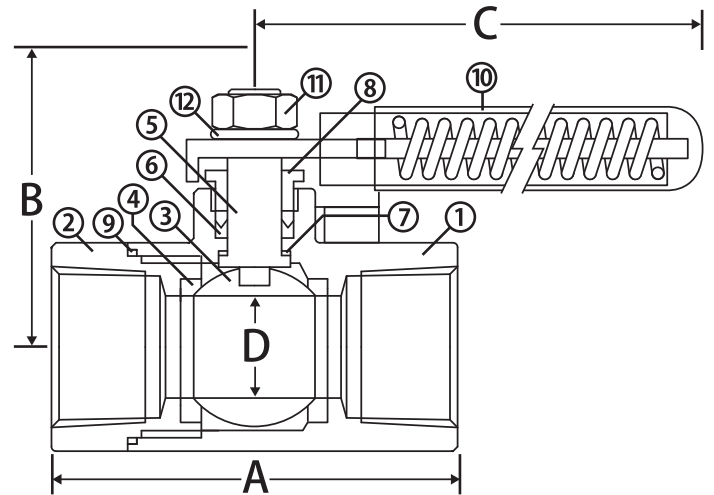
Note: Information subject to change without notice.

Stainless Steel Ball Valve

2 Piece • Standard Port • Threaded Connection • 2000 WOG • with Spring Return Handle



T-SS-2000N-DH



Features

- 1-1/4" - 2" 3 piece, 4 bolt pattern
- Solid ball construction
- 29 in-HG vacuum rating
- Latch lock may be locked in open or closed position
- 100% leak tested

Approvals

- UL Listed (1/4" - 1")
 - MHKZ - Manual valves
 - YQNZ - Compressed gas shut-off valves
 - YRBX - Flammable liquid shut-off valves
 - YRPV - Gas shut-off valves
 - YSDT - LP gas shut-off valves
 - YQAR - Anhydrous ammonia shut-off valves

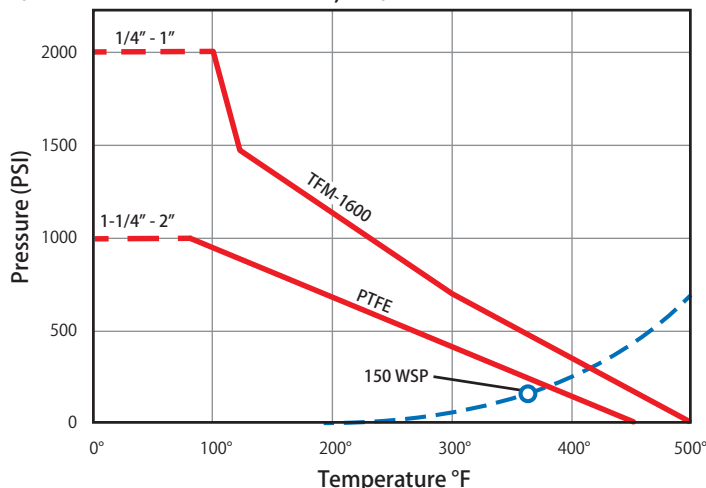
Material Specifications

No.	Part	Materials
1	Body	CF8M Stainless Steel
2	End Connection	CF8M Stainless Steel
3	Ball	CF8M Stainless Steel
4	Seat (2)	Hostaflo [®] TFM 1600
5	Stem	316 Stainless Steel
6	Packing (2)	RPTFE
7	Stem Seal	Hostaflo [®] TFM 1600
8	Packing Gland	316 Stainless Steel
9	Body Seal	Hostaflo [®] TFM 1600
10	Handle - Dead Man	304 / 301 Stainless Steel
11	Handle Nut	304 Stainless Steel
12	Lock Washer	304 Stainless Steel

Note: For 1-1/4" - 2" material specifications see A1000 on page 113

Valve Seat Rating

1/4 - 1" 2000 WOG - 150 WSP, 1-1/4" - 2" 1000 WOG - 150 WSP



Dimensions

Part No.	Size	A	B	C	D
100-931DH	1/4"	2.07	1.76	7.09	0.37
100-932DH	3/8"	2.07	1.76	7.09	0.37
100-933DH	1/2"	2.34	1.92	7.09	0.50
100-934DH	3/4"	2.80	2.40	7.28	0.69
100-935DH	1"	3.23	2.56	7.28	0.87
100-936DH*	1-1/4"	4.33	2.71	8.66	1.38
100-937DH*	1-1/2"	4.75	3.22	11.02	1.63
100-938DH*	2"	5.52	3.55	11.02	1.97

*1-1/4" - 2" 3 piece, 4 bolt pattern

Stainless Steel Ball Valve

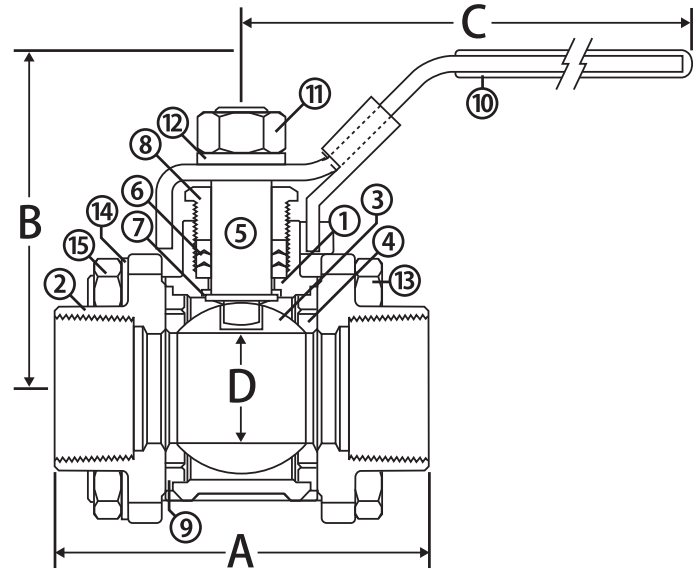


**3 Piece 4 Bolt • Swing Out Body • Full Port • Threaded Connection
• 1000 WOG**



T-SS-1000N-4B

CRN# OC15459.5



Features

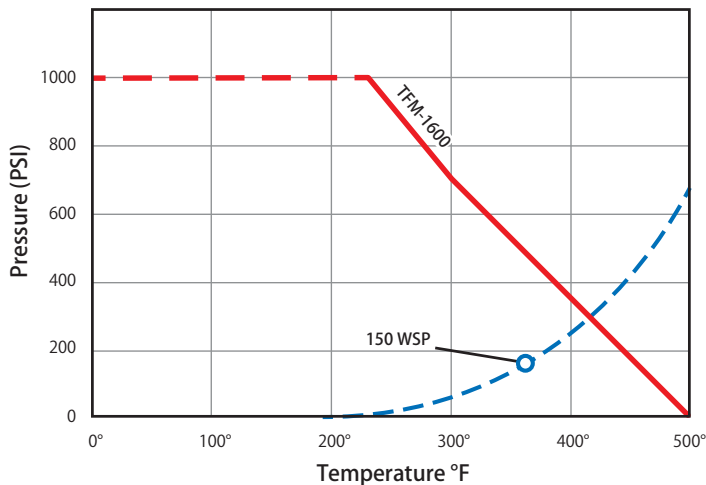
- Latch lock handle, may be locked in open or closed positions
- 29 in-HG vacuum rating
- Repair kit available
- 100% leak tested

Approvals

- UL Listed 842 (49RO) (1/4" - 2")
 - MHKZ - Manual valves
 - YQNZ - Compressed gas shut-off valves
 - YRBX - Flammable liquid shut-off valves
 - YRPV - Gas shut-off valves
 - YSDT - LP gas shut-off valves
 - YQAR - Anhydrous ammonia shut-off valves
- MSS SP-110
- NACE Certified

Valve Seat Rating

1000 WOG - 150 WSP



Material Specifications

No.	Part	Materials
1	Body	CF8M Stainless Steel
2	End Cap (2)	CF8M Stainless Steel
3	Ball	CF8M Stainless Steel
4	Seat (2)	Hostaflon® TFM 1600
5	Stem	316 Stainless Steel
6	Packing (2)	RPTFE
7	Stem Seal	Hostaflon® TFM 1600
8	Packing Gland	316 Stainless Steel
9	Body Seal (2)	Hostaflon® TFM 1600
10	Handle	304 Stainless Steel
11	Handle Nut	304 Stainless Steel
12	Lock Washer	304 Stainless Steel
13	Body Bolt (4)	304 Stainless Steel
14	Body Lock Washer (4)	304 Stainless Steel
15	Body Nut (4)	304 Stainless Steel

Dimensions

Part No.	Size	A	B	C	D
500-301	1/4"	2.37	2.18	4.30	0.37
500-302	3/8"	2.37	2.18	4.30	0.37
500-303	1/2"	2.76	2.38	4.30	0.56
500-304	3/4"	3.03	2.87	5.81	0.81
500-305	1"	3.63	2.95	5.81	1.00
500-306	1-1/4"	4.14	3.66	7.44	1.25
500-307	1-1/2"	4.73	3.94	7.44	1.50
500-308	2"	5.43	4.25	7.81	1.97
500-310	3"	7.52	5.26	9.75	3.00
500-311	4"	8.54	6.57	11.88	3.93

Note: Information subject to change without notice.

Stainless Steel Ball Valve

3 Piece 4 Bolt • Swing Out Body • Full Port • Socket Weld • 1000 WOG



S-SS-1000N-4B

Features

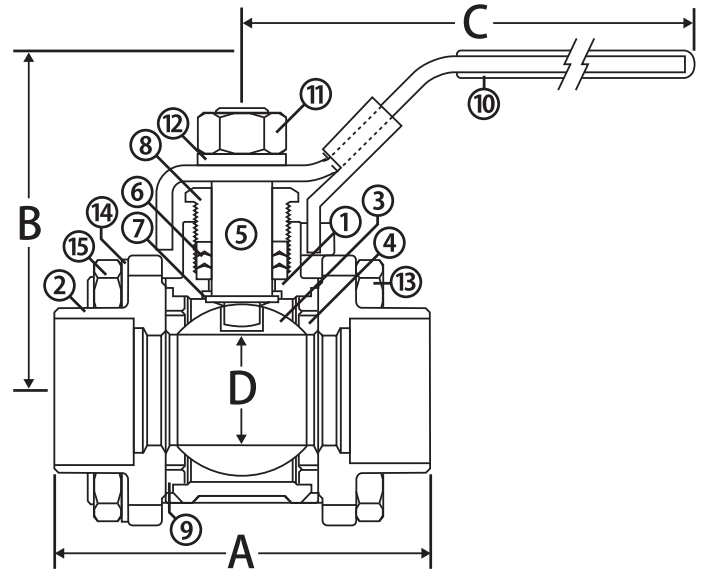
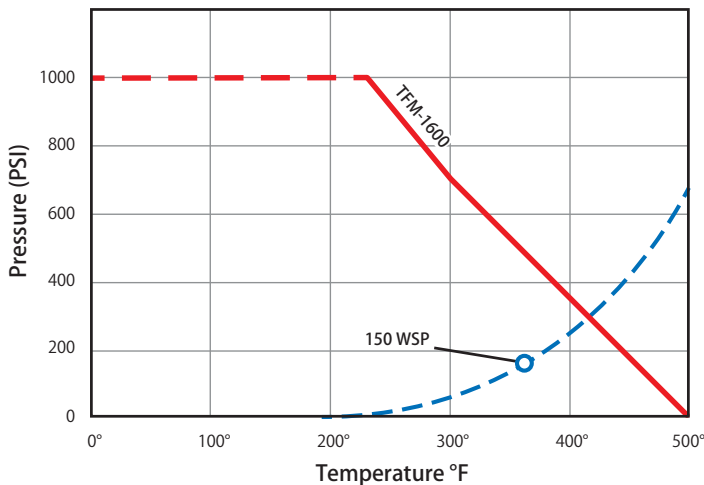
- Latch lock handle, may be locked in open or closed positions
- 29 in-HG vacuum rating
- Repair kit available
- 100% leak tested

Approvals

- UL Listed 842 (49RO)
 - YSDT - LP gas shut-off valves
 - YQAR - Anhydrous ammonia shut-off valves
- MSS SP-110
- NACE Certified

Valve Seat Rating

1000 WOG - 150 WSP



Material Specifications

No.	Part	Materials
1	Body	CF8M Stainless Steel
2	End Cap (2)	CF8M Stainless Steel
3	Ball	CF8M Stainless Steel
4	Seat (2)	Hostaflo [®] TFM 1600
5	Stem	316 Stainless Steel
6	Packing (2)	RPTFE
7	Stem Seal	Hostaflo [®] TFM 1600
8	Packing Gland	316 Stainless Steel
9	Body Seal (2)	Hostaflo [®] TFM 1600
10	Handle	304 Stainless Steel
11	Handle Nut	304 Stainless Steel
12	Lock Washer	304 Stainless Steel
13	Body Bolt (4)	304 Stainless Steel
14	Body Lock Washer (4)	304 Stainless Steel
15	Body Nut (4)	304 Stainless Steel

Dimensions

Part No.	Size	A	B	C	D
500-341	1/4"	2.37	2.18	4.30	0.43
500-342	3/8"	2.37	2.18	4.30	0.43
500-343	1/2"	2.76	2.38	4.30	0.56
500-344	3/4"	3.03	2.87	5.81	0.81
500-345	1"	3.63	2.95	5.81	1.00
500-346	1-1/4"	4.14	3.66	7.44	1.25
500-347	1-1/2"	4.73	3.94	7.44	1.50
500-348	2"	5.43	4.25	7.81	1.97
500-350	3"	7.52	5.26	9.75	3.00
500-351	4"	8.54	6.57	11.88	3.93

Stainless Steel Ball Valve



**3 Piece 4 Bolt • Swing Out Body • Full Port • Threaded Connection
• 1000 WOG • with Vented Ball**



T-SS-1000N-4B-VB

CRN# 0C07956.2C

Features

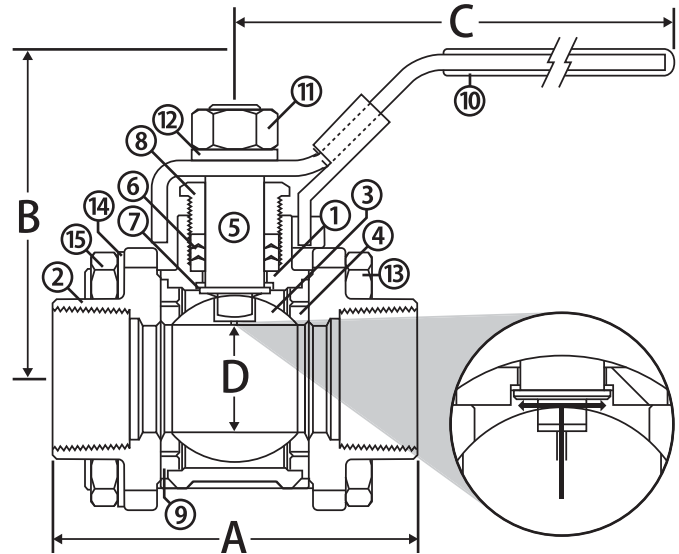
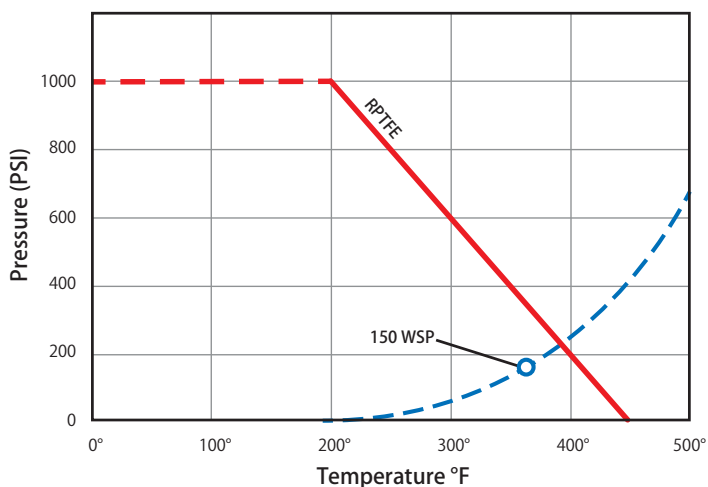
- Latch lock handle, may be locked in open or closed positions
- Repair kit available
- 100% leak tested
- AVS Medium vacuum rating

Approvals

- MSS SP-110

Valve Seat Rating

1000 WOG - 150 WSP



Material Specifications

No.	Part	Materials
1	Body	CF8M Stainless Steel
2	End Cap (2)	CF8M Stainless Steel
3	Ball	CF8M Stainless Steel
4	Seat (2)	RPTFE
5	Stem	316 Stainless Steel
6	Packing (2)	PTFE
7	Stem Seal	PTFE
8	Packing Gland	316 Stainless Steel
9	Body Seal (2)	PTFE
10	Handle	304 Stainless Steel
11	Handle Nut	304 Stainless Steel
12	Lock Washer	304 Stainless Steel
13	Body Bolt (4)	304 Stainless Steel
14	Body Lock Washer (4)	304 Stainless Steel
15	Body Nut (4)	304 Stainless Steel

Dimensions

Part No.	Size	A	B	C	D
500-301VB	1/4"	2.37	2.18	4.30	0.43
500-302VB	3/8"	2.37	2.18	4.30	0.43
500-303VB	1/2"	2.76	2.38	4.30	0.56
500-304VB	3/4"	3.03	2.87	5.81	0.81
500-305VB	1"	3.63	2.95	5.81	1.00
500-306VB	1-1/4"	4.14	3.66	7.44	1.25
500-307VB	1-1/2"	4.73	3.94	7.44	1.50
500-308VB	2"	5.43	4.25	7.81	1.97
500-310VB	3"	7.52	5.26	9.75	3.00
500-311VB	4"	8.54	6.57	11.88	3.93

Note: Information subject to change without notice.

Stainless Steel Ball Valve

2 Piece • Full Port • Threaded Connection • 1000 WOG



T-SS-1001N

Features

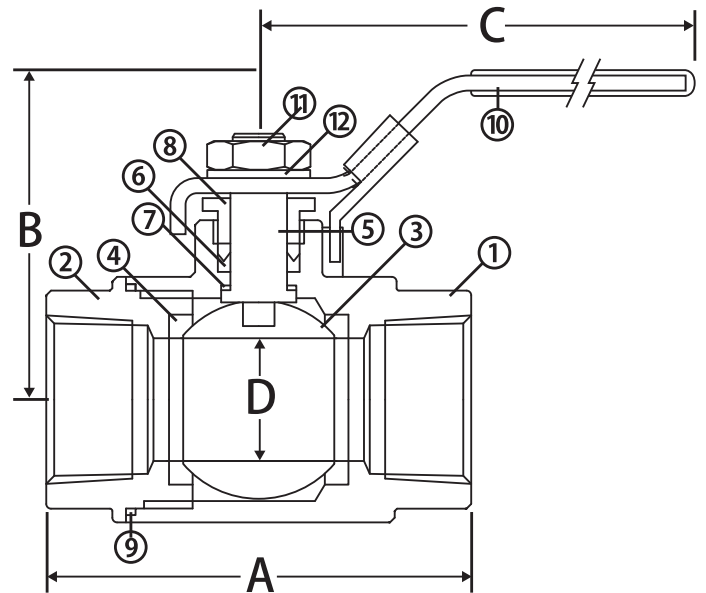
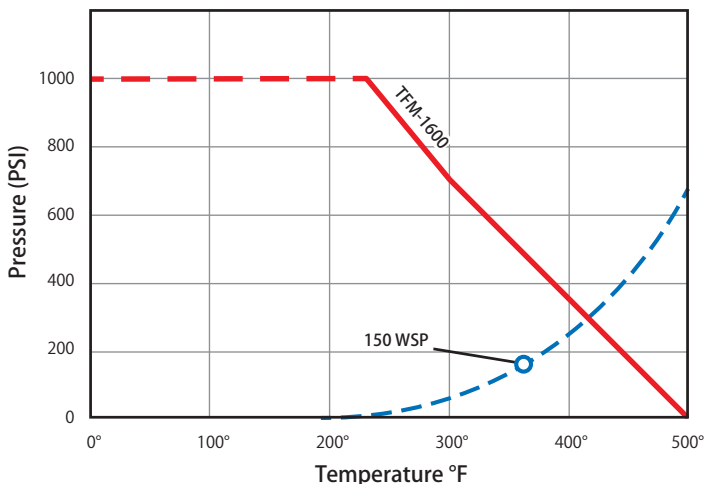
- Solid ball construction
- Latch lock handle may be locked in open or closed position
- 29 in-HG vacuum rating
- 100% leak tested

Approvals

- UL Listed 842 (49RO)
 - MHKZ - Manual valves
 - YQNZ - Compressed gas shut-off valves
 - YRBX - Flammable liquid shut-off valves
 - YRPV - Gas shut-off valves
 - YSDT - LP gas shut-off valves
- Conforms to API 598
- MSS SP-110, SP-61, SP-82
- NACE Certified

Valve Seat Rating

1000 WOG - 150 WSP



Material Specifications

No.	Part	Materials
1	Body	CF8M Stainless Steel
2	End Connection	CF8M Stainless Steel
3	Ball	CF8M Stainless Steel
4	Seat (2)	Hostaflo [®] TFM 1600
5	Stem	316 Stainless Steel
6	Packing (2)	RPTFE
7	Stem Seal	Hostaflo [®] TFM 1600
8	Packing Gland	316 Stainless Steel
9	Body Seal	Hostaflo [®] TFM 1600
10	Handle	304 Stainless Steel
11	Handle Nut	304 Stainless Steel
12	Lock Washer	304 Stainless Steel

Dimensions

Part No.	Size	A	B	C	D
100-961	1/4"	2.20	2.20	4.21	0.43
100-962	3/8"	2.20	2.20	4.21	0.43
100-963	1/2"	2.60	2.30	4.21	0.56
100-964	3/4"	2.99	2.79	5.73	0.81
100-965	1"	3.54	2.96	5.73	1.00
100-966	1-1/4"	3.94	3.56	7.45	1.25
100-967	1-1/2"	4.41	3.84	7.45	1.50
100-968	2"	5.00	4.24	8.08	1.97

Stainless Steel Ball Valve

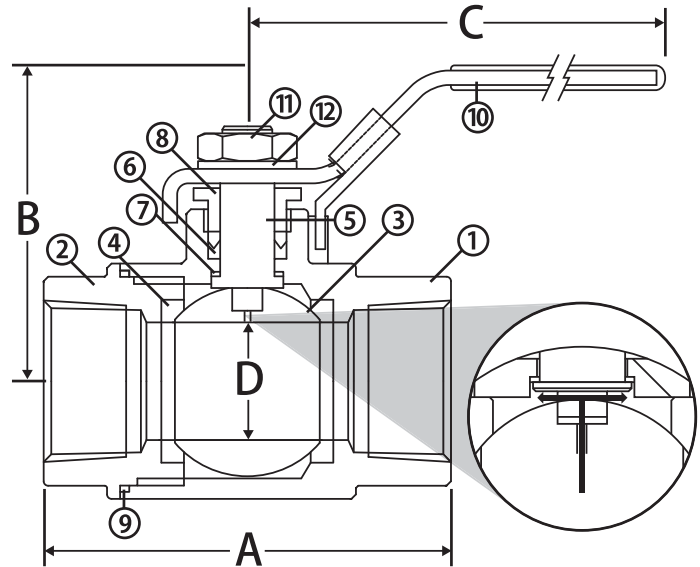


2 Piece • Full Port • Threaded Connection • 1000 WOG • with Vented Ball



T-SS-1001N-VB

CRN# 0C1032.9C



Features

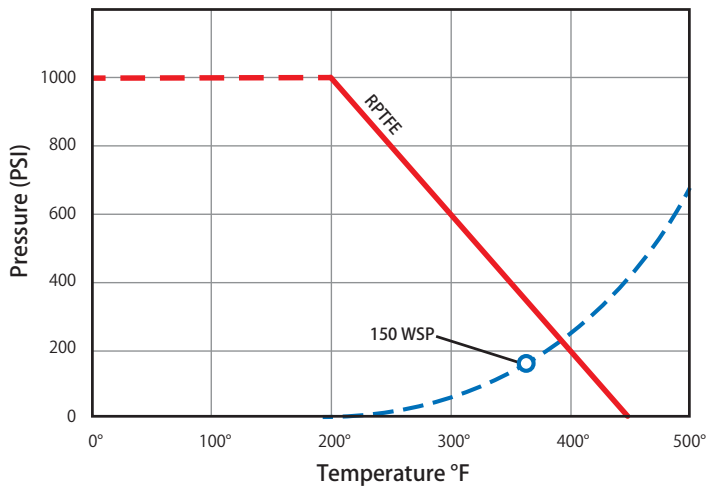
- Solid ball construction
- Latch lock handle may be locked in open or closed position
- 100% leak tested
- AVS Medium vacuum rating

Approvals

- MSS SP-110

Valve Seat Rating

1000 WOG - 150 WSP



Material Specifications

No.	Part	Materials
1	Body	CF8M Stainless Steel
2	End Connection	CF8M Stainless Steel
3	Ball	CF8M Stainless Steel
4	Seat (2)	RPTE
5	Stem	316 Stainless Steel
6	Packing (2)	PTFE
7	Stem Seal	PTFE
8	Packing Gland	316 Stainless Steel
9	Body Seal	PTFE
10	Handle	304 Stainless Steel
11	Handle Nut	304 Stainless Steel
12	Lock Washer	304 Stainless Steel

Dimensions

Part No.	Size	A	B	C	D
100-961VB	1/4"	2.20	2.20	4.21	0.43
100-962VB	3/8"	2.20	2.20	4.21	0.43
100-963VB	1/2"	2.60	2.30	4.21	0.56
100-964VB	3/4"	2.99	2.79	5.73	0.81
100-965VB	1"	3.54	2.96	5.73	1.00
100-966VB	1-1/4"	3.94	3.56	7.45	1.25
100-967VB	1-1/2"	4.41	3.84	7.45	1.50
100-968VB	2"	5.00	4.24	8.08	1.97

Note: Information subject to change without notice.

Stainless Steel Mini Ball Valve

1 Piece • Full Port • Threaded Connection • 1000 WOG



Features

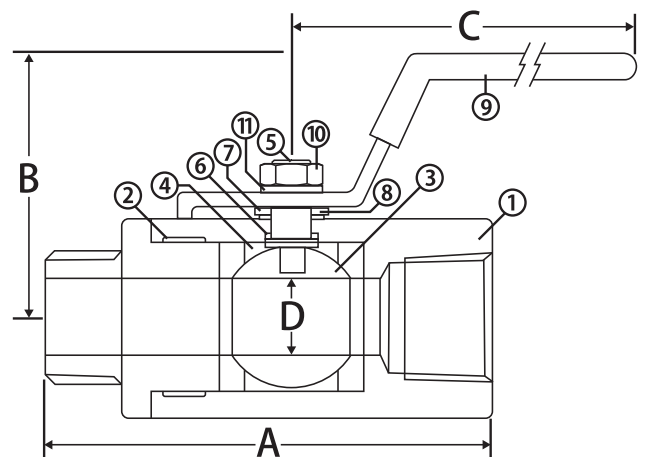
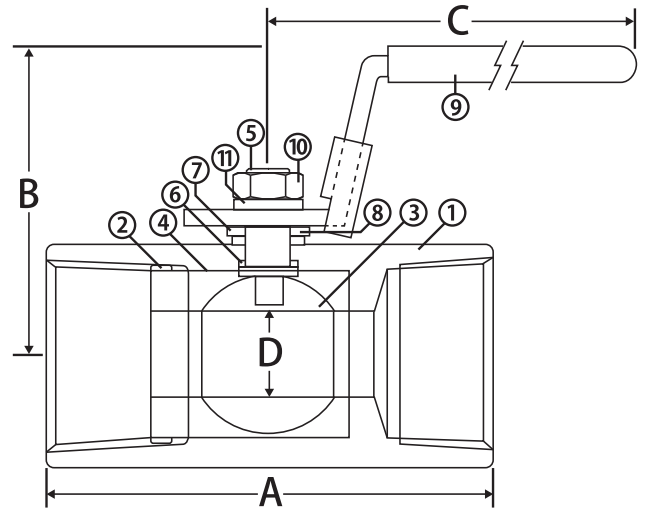
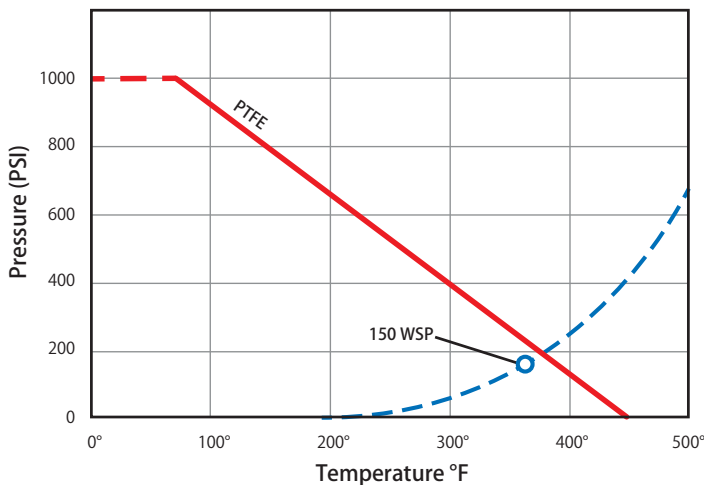
- Solid ball construction
- Corrosion resistant
- 29 in-HG vacuum rating
- 100% leak tested

Approvals

- MSS SP-110

Valve Seat Rating

1000 WOG - 150 WSP



Material Specifications

No.	Part	Materials
1	Body	CF8M Stainless Steel / 316 Stainless Steel
2	Body Insert	316 Stainless Steel
3	Ball	316 Stainless Steel
4	Seat (2)	PTFE
5	Stem	316 Stainless Steel
6	Stem Seal	PTFE
7	Packing	PTFE
8	Packing Washer	304 Stainless Steel
9	Handle	304 Stainless Steel
10	Handle Nut	304 Stainless Steel
11	Lock Washer	304 Stainless Steel

Dimensions

Part No.	Size	A	B	C	D
500-098	1/8" FIP x 1/8" MIP	2.00	1.22	2.44	0.20
500-099	1/4" FIP x 1/4" MIP	2.32	1.50	3.45	0.30
500-100	1/4" FIP x 1/4" FIP	1.57	1.22	2.44	0.20
500-101	1/4" FIP x 1/4" FIP	1.57	1.42	3.45	0.20
500-102	3/8" FIP X 3/8" FIP	1.77	1.50	3.45	0.38

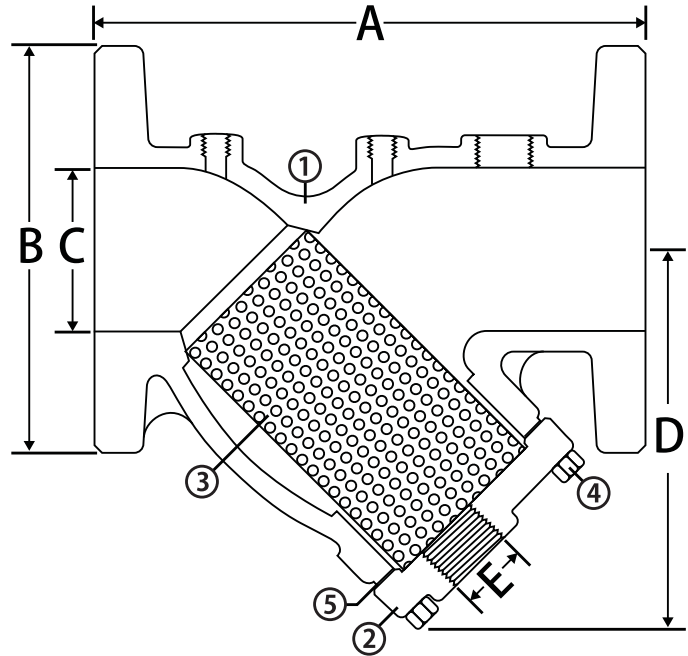
Y-Strainer



Cast Iron Y-Strainer • Flanged Connection • 200 WOG • with Stainless Steel Screen



Y-Strainer

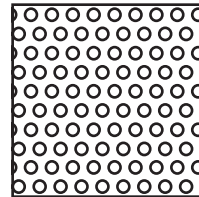


Features

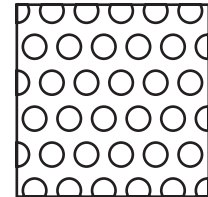
- 304 perforated screens
- (3) additional accessory taps
- Flanges - ANSI 125lbs
- Standard screens:
 - 2-1/2 - 4": 1/16 perforations
 - 6 - 8": 1/8 perforations

Pressure Rating

- 200 WOG / 150° F



.0625 DIA
98 Holes Per Inch



.125 DIA
29 Holes Per Inch

Material Specifications

No.	Part	Materials
1	Body	Cast Iron - ASTM A126
2	Cover	Cast Iron - ASTM A126
3	Screen	304 Stainless Steel
4	Bolt	Carbon Steel
5	Gasket	Non-asbestos

Dimensions

Part No.	Size	A	B	C	D	E
600-309	2-1/2"	10.00	7.00	2.50	6.50	1.00
600-310	3"	10.13	7.50	3.00	7.00	1.00
600-311	4"	12.13	9.00	4.00	8.25	1.50
600-313	6"	18.50	11.00	6.00	13.50	2.00
600-314	8"	21.63	13.50	8.00	15.50	2.00

Thread Sealant

Slow-Drying Soft-Set PTFE Thread Sealant



Gimme the White Stuff™

Directions

Stir before using. Clean oil, dirt, grease or any foreign material from threads. Apply only to male threads. Use on all metal, plastic, ABS, PVC, fiberglass, CPVC, and nylon threads.

Approvals

- NSF Certified
 - NSF 14(PW, DWV, SW)
 - NSF 61
 - NSF 372

Temperature / Pressure Ratings

Temperature Ranges:

- -50°F to +400°F
- Flash Point 70°F
- Brushable to -50°F

Pressure Ranges:

- Gases to 3,000 PSI
- Liquids to 8,000 PSI

Description

An all purpose PTFE thread sealing compound that produces leakproof seals on threaded connections. Lubricates, seals and protects threads in an extensive variety of plumbing, heating and oil field threaded pipe connections over a wide range of services, temperatures and pressures. Will not dry out, stain, harden or separate. Non-toxic. Will not destroy the seals of valves or faucets. Wipes clean from hands easily.

Characteristics

Gimme The White Stuff™ soft-set thread sealing compound is recommended for residential and commercial applications where cleanliness is essential. Non-seizing breaks out easily without stripping, galling or damaging threads. Free of halogens. Not affected by oils, dilute caustics or dilute acids.

Recommended Uses

- Acids, Diluted
- Air, Compressed Gaseous
- Alkalis, Diluted
- Ammonia
- Aliphatic Solvents
- Brine
- Butane
- Carbon Dioxide
- Castor Oils
- Chlorinated Water
- Corrosives
- Coal Tar Naphtha
- Cutting Oils
- Diesel Fuel Oil
- Fatty Acids (Liquids)
- Freon (All)
- Gasoline
- Gasohol
- Glycol
- Heating Oils
- Helium Gaseous
- Hydraulic Oils
- Hydrogen
- Inert Gases, Gaseous
- Jet Fuel (JP 3,4,5)
- Kerosene
- Lacquer
- Liquefied Petroleum Gases
- Manufactured Gases
- Mineral Oils
- Naphtha
- Natural Gas
- Nitrogen, Gaseous
- Petroleum Solvents
- Propane
- Refrigeration Gases
- Soap, Liquid
- Steam Lines
- Sugar, Liquid
- Vegetable Oils
- Water (Hot or Cold)
- Xylol

NOT FOR USE ON OXYGEN

Part #	Size
400-001	2 oz. tube
400-002	4 oz can
400-003	8 oz can
400-004	16 oz can
400-005	32 oz can

Thread Sealant

Slow-Drying Soft-Set Thread Sealant



Gimme the Green Stuff®

Directions

Stir before using. Clean oil, dirt, grease or any foreign material from threads. Apply only to male threads. Use on all metal, plastic, PVC, fiberglass CPVC, and nylon threads.

Approvals

- NSF Certified
 - NSF 14 (PW, DWV, SW)
 - NSF 61
 - NSF 372
- CSA Certified (1/4" - 2")
 - CAN / ULC S642
 - ANSI LC7

Temperature / Pressure Ratings

Temperature Ranges:

- -50°F to +400°F;
- Flash Point 70°F
- Brushable to -50°F

Pressure Ranges:

- Gases to 3,000 PSI
- Liquids to 6,000 PSI

Description

Slow drying, soft setting, non-hardening pipe thread compound. Recommended for on-site or assembly line work. Lead free and non-toxic. Will not harden in can.

Will not dry out, stain, harden or separate. Will not destroy the seals of valves or faucets. Wipes clean from hands easily.

Characteristics

Gimme the Green Stuff® thread sealing compound is recommended for residential and commercial applications where cleanliness is essential. Non-seizing, breaks out easily without stripping, galling or damaging threads. Free of halogens. Not affected by oils, dilute caustics, or dilute acids. Use on all metal, PVC, CPVC, nylon and polypropylene threads.

Recommended Uses

- Acids, Diluted
- Air, Compressed Gaseous
- Alkalis, Diluted
- Ammonia
- Aliphatic Solvents
- Brine
- Butane
- Carbon Dioxide
- Castor Oils
- Chlorinated Water
- Coal Tar Naphtha
- Cutting Oils
- Diesel Fuel Oil
- Freon (All)
- Gasoline
- Glycol
- Heating Oils
- Helium Gaseous
- Hydraulic Oils
- Hydrogen
- Inert Gases, Gaseous
- Jet Fuel (JP 3,4,5)
- Kerosene
- Lacquer
- Liquefied Petroleum Gases
- Manufactured Gases
- Mineral Oils
- Natural Gas
- Nitrogen, Gaseous
- Petroleum Solvents
- Propane
- Refrigeration Gases
- Soap, Liquid
- Steam Lines
- Sugar, Liquid
- Vegetable Oils
- Water (Hot or Cold)

NOT FOR USE ON OXYGEN

Part #	Size
400-101	2 oz. tube
400-102	4 oz can
400-103	8 oz can
400-104	16 oz can
400-105	32 oz can

Thread Sealant

Slow-Drying Soft-Set Extra PTFE Thread Sealant



The HeavyWeight®

Directions

Stir before using. Clean oil, dirt, grease or any foreign material from threads. Apply only to male threads. Use on all metal, plastic, PVC, fiberglass CPVC, nylon and polypropylene threads.

Approvals

- UL Listed (1/4" - 2")
 - QLSR - Pipe joint sealing compound

Temperature / Pressure Ratings

Temperature Ranges:

- -50°F to +400°F
- Flash Point 75°F

Pressure Ranges:

- Gases to 3,000 PSI
- Liquids to 10,000 PSI

Description

An all purpose heavy duty thread sealing compound that produces leakproof seals on threaded connections. Lubricates and protects threads in an extensive variety of industrial, chemical and oil field threaded pipe connections over a wide range of temperatures and pressures.

SPECIALLY ENGINEERED FOR USE ON: FIBERGLASS ADAPTERS, NYLON AND ELECTRIC FITTINGS, ETC.

Its low coefficient of friction allows tighter make-up with low torque, seals permanently and has excellent compressibility. Will not destroy the seals of valves or faucets. Wipes clean from hands easily.

Characteristics

The Heavyweight (white) P.T.F.E. thread sealing compound is recommended for industrial applications where cleanliness is essential. Non-seizing breaks out easily without stripping, galling or damaging hands. Free of halogens. Not affected by oils, dilute caustics or dilute acids.

Recommended Uses

- Acids, Diluted
- Air, Compressed Gaseous
- Alkalis, Diluted
- Ammonia
- Aliphatic Solvents
- Brine
- Butane
- Carbon Dioxide
- Castor Oils
- Chlorinated Water
- Corrosives
- Coal Tar Naphtha
- Cutting Oils
- Diesel Fuel Oil
- Fatty Acids (Liquids)
- Freon (All)
- Gasoline
- Gasohol
- Glycol
- Heating Oils
- Helium Gaseous
- Hydraulic Oils
- Hydrogen
- Inert Gases, Gaseous
- Jet Fuel (JP 3,4,5)
- Kerosene
- Lacquer
- Liquefied Petroleum Gases
- Manufactured Gases
- Mineral Oils
- Naphtha
- Natural Gas
- Nitrogen, Gaseous
- Petroleum Solvents
- Propane
- Refrigeration Gases
- Soap, Liquid
- Steam Lines
- Sugar, Liquid
- Vegetable Oils
- Water (Hot or Cold)
- Xylol

NOT FOR USE ON OXYGEN

Part #	Size
400-201	2 oz. tube
400-202	4 oz can
400-203	8 oz can
400-204	16 oz can
400-205	32 oz can

Thread Sealant



Fast-Drying Hard-Set Water, Oil & Gas Thread Sealant



WOG Plus

Description

A rust colored cohesive, smooth flowing liquid, containing an alcohol solution, pigmented with iron oxide, organic gums and resin. It is lead free and free of halogens. W.O.G. Plus is not a strong sensitizer, it is non-corrosive and is a high quality/high performance resin compound, with built-in elasticity that resists vibration and temperature change. W.O.G. Plus is fast drying, flex/hard set, brushable and cures by solvent evaporation.

Characteristics

For coating and sealing aircraft oil & gas lines, automotive and truck parts, compressors, castings, carburetors, couplings, crankcases, bolts, brake boosters, electrical transmission equipment, engines, fittings, face joints, gaskets, governors, hydraulics, housings, instrumentation, LPG cylinders, marine engine, meters, nozzles, oil burners, pipe threads, pipe joints, pump assemblies, pneumatics, seams, storage tanks, gas tanks, transmissions, regulators, vacuum systems etc.

Recommended Uses

- Acids, Diluted
- Air, Compressed Gaseous
- Alkalis Diluted
- Ammonia
- Aliphatic Solvents
- Brine
- Butane
- Carbon Dioxide
- Castor Oils
- Chlorinated Water
- Cutting Oils
- Diesel Fuel Oil
- Freon (All)
- Gasoline
- Heating Oils
- Helium Gaseous
- Hydraulic Oils
- Inert Gases, Gaseous
- Jet Fuel (JP 3,4,5)
- Kerosene
- Lacquer
- Liquefied Petroleum Gases
- Manufactured Gases
- Mineral Oils
- Naphtha
- Natural Gas
- Nitrogen, Gaseous
- Petroleum Solvents
- Propane
- Refrigeration Gases
- Soap, Liquid
- Steam Lines
- Sugar, Liquid
- Vegetable Oils
- Water (Hot or Cold)
- Xylol

NOT FOR USE ON OXYGEN

NOT RECOMMENDED FOR USE ON ETHANOL

Part #	Size
400-302	4 oz can
400-303	8 oz can
400-304	16 oz can
400-305	32 oz can

Thread Sealant

Slow-Drying Soft-Set High Temperature Thread Sealant



Hi-Temp™

Temperature

Pressure Ranges:

- Gases to 3,000 PSI
- Liquids to 10,000 PSI

Description

Hi-Temp™ all purpose anti-seize lubricant will not bleed, separate or settle. Prevents pressure leakage and seizing resulting from high temperature, freezing, heavy loads, corrosion and vibration. Contains no grit. Prevents rust and corrosion. Specially formulated for summer or winter use. Provides easy assembly and disassembly of bolts, plugs, studs, flanges and fillings.

Characteristics

Hi-Temp™ is an extreme service colloidal copper anti-seize thread sealant and lubricates the threads at an effective temperature of up to 1800°F. This thread sealing compound is made with the highest quality materials. All information is based on our laboratory testing, independent laboratory test results and actual field experience. When properly used, this material will perform as stated. Since we are unable to control conditions for which the product is being used, our only obligation will be the replacement of the compound.

Recommended Uses

- Air, Compressed Gaseous
- Alkalis, Diluted
- Ammonia
- Brine
- Carbon Dioxide
- Chlorinated Water
- Corrosives
- Fatty Acids (Liquids)
- Freon (All)
- Inert Gases, Gaseous
- Natural Gas
- Nitrogen, Gaseous
- Refrigeration Gases
- Soap, Liquid
- Steam Lines
- Sugar, Liquid
- Water (Hot or Cold)

NOT FOR USE ON OXYGEN

Part #	Size
400-403	8 oz can
400-404	16 oz can

Thread Sealant Uses



W.O.G. Plus®
(P)



The Heavy Weight®
(H)



Gimme The Green Stuff®
(G)



Gimme The White Stuff®
(W)



Hi-Temp®
(T)

Recommended Uses

Acids, Diluted	P	H	G	W	Hydrogen	H	G	W			
Air, Compressed Gaseous	P	H	G	W	T	Inert Gases, Gaseous	P	H	G	W	T
Alkalis, Diluted	P	H	G	W	T	Jet Fuel (JP 3,4,5)	P	H	G	W	
Ammonia	P	H	G	W	T	Kerosene	P	H	G	W	
Aliphatic Solvents	P	H	G	W	Lacquer	P	H	G	W		
Brine	P	H	G	W	T	Liquefied Petroleum Gases	P	H	G	W	
Butane	P	H	G	W	Manufactured Gases	P	H	G	W		
Carbon Dioxide	P	H	G	W	T	Mineral Oils	P	H	G	W	
Castor Oils	P	H	G	W	Naphtha	P	H	W			
Chlorinated Water	P	H	G	W	T	Natural Gas	P	H	G	W	T
Corrosives	H	W	T	Nitrogen, Gaseous	P	H	G	W	T		
Coal Tar Naphtha	H	G	W	Oxygen							
Cutting Oils	P	H	G	W	Petroleum Solvents	P	H	G	W		
Diesel Fuel Oil	P	H	G	W	Propane	P	H	G	W		
Fatty Acids (Liquids)	H	W	T	Refrigeration Gases	P	H	G	W	T		
Freon (All)	P	H	G	W	T	Soap, Liquid	P	H	G	W	T
Gasoline	P	H	G	W	Steam Lines	P	H	G	W	T	
Gasohol	H	W	Sugar, Liquid	P	H	G	W	T			
Glycol	H	G	W	Vegetable Oils	P	H	G	W			
Heating Oils	P	H	G	W	Water (Hot or Cold)	P	H	G	W	T	
Helium Gaseous	P	H	G	W	Xylol	P	H	W			
Hydraulic Oils	P	H	G	W	Sodium Hypochlorite						

The information contained in this bulletin is correct to the best of our knowledge. The recommendations or suggestions herein are made without guarantee or representation as to result, since the conditions of use are beyond our control. We suggest that you evaluate the recommendations contained in this bulletin. No statement is to be construed as violating any copyright or patent. They are intended only as a source of information.

Note: Information subject to change without notice.

Thermoplastic Valve

CPVC • Copper Tube Size • Solvent Connection • 150 WOG



S-605

Features

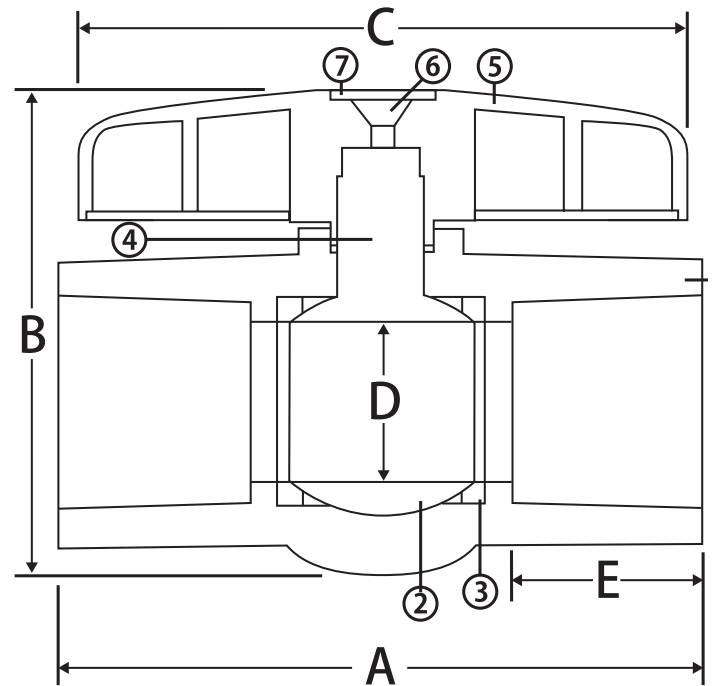
- For hot/cold water systems
- Quarter-turn operation
- Large port
- Easy installation
- **CTS connections**

Approvals

- NSF 61-8 Certified
- NSF 61 - Annex G
- NSF 372

Pressure Rating

- Max service temperature 180°F, 150 PSI @73°F continuous



Material Specifications

No.	Part	Materials
1	Body	CPVC
2	Ball / Stem	CPVC
3	Seat (2)	PTFE
4	O-ring	EPDM
5	Handle	ABS Plastic
6	Bolt	Steel - Zinc Plated
7	Cap	ABS Plastic

Dimensions

Part No.	Size	A	B	C	D	E
210-603	1/2"	2.68	1.93	2.36	0.49	0.75
210-604	3/4"	3.23	2.52	2.76	0.72	0.87
210-605	1"	3.74	3.11	3.46	0.93	1.00
210-606	1 1/4"	4.17	3.66	3.94	0.98	1.11
210-607	1 1/2"	4.49	3.86	3.94	1.18	1.26
210-608	2"	5.69	4.53	4.29	1.42	1.69

Thermoplastic Valve



PVC • Schedule 80 • Threaded Connection • 150 WOG



T-701

Features

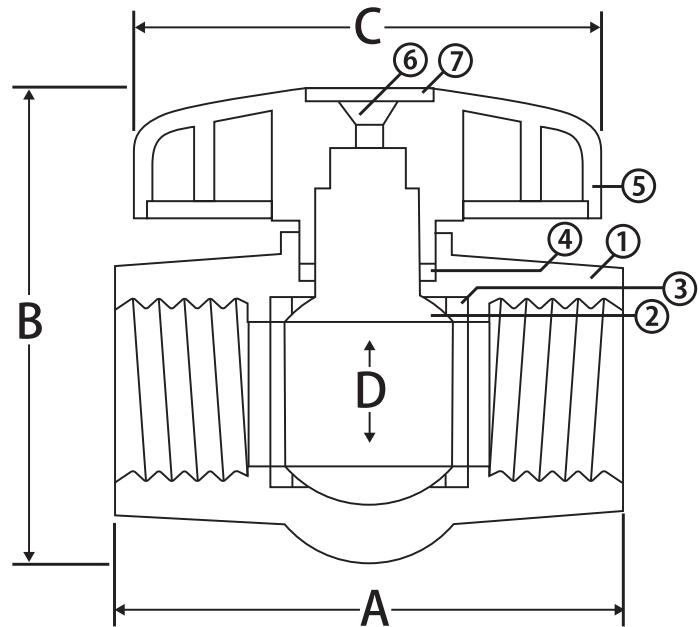
- Each valve tested in open and closed position
- Minimal pressure drop/turbulence
- Large ports for greater flow
- Corrosion resistant PVC material
- **NPS connections**

Approvals

- NSF 61-8 Certified
- NSF 61 - Annex G
- NSF 372
- NSF 14 (1/2" - 2")

Pressure Rating

- Max service temperature 140°F, 150 PSI @73°F continuous



Material Specifications

No.	Part	Materials
1	Body	UPVC
2	Ball / Stem	UPVC
3	Seat (2)	EPDM
4	O-ring	EPDM
5	Handle	ABS Plastic
6	Bolt	Steel - Zinc Plated
7	Cap	ABS Plastic

Dimensions

Part No.	Size	A	B	C	D
210-203	1/2"	3.27	2.52	2.76	0.55
210-204	3/4"	3.74	3.11	3.46	0.79
210-205	1"	4.17	3.74	3.94	0.98
210-206	1 1/4"	4.49	3.90	3.94	1.18
210-207	1 1/2"	5.12	4.53	4.29	1.42
210-208	2"	5.79	5.31	5.28	1.83
210-209	2 1/2"	8.03	6.30	7.01	2.28
210-210	3"	9.02	7.48	8.82	3.03
210-211	4"	11.81	9.17	10.87	3.86

Thermoplastic Valve

PVC • Schedule 80 • Solvent Connection • 150 WOG



S-701

Features

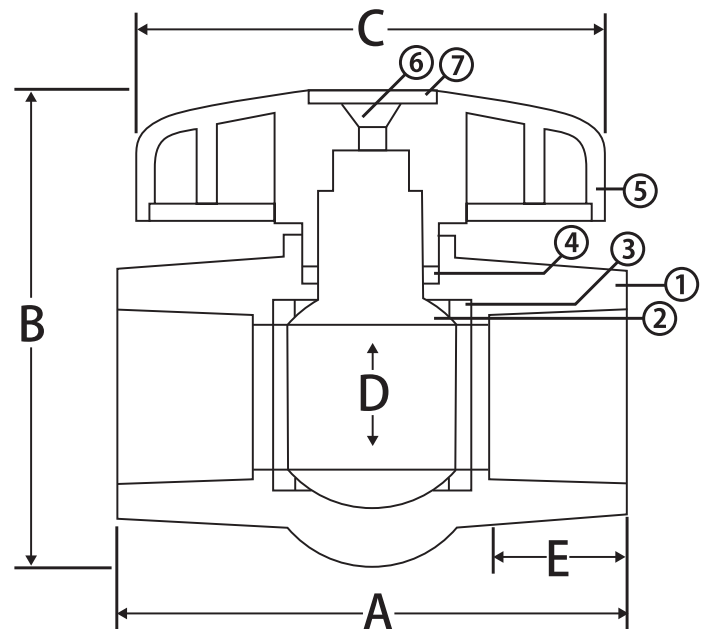
- Each valve tested in open and closed position
- Minimal pressure drop/turbulence
- Large ports for greater flow
- Corrosion resistant PVC material
- **NPS connections**

Approvals

- NSF 61-8 Certified
- NSF 61 - Annex G
- NSF 372
- NSF 14 (1/2" - 2")

Pressure Rating

- Max service temperature 140°F, 150 PSI @73°F continuous



Material Specifications

No.	Part	Materials
1	Body	UPVC
2	Ball / Stem	UPVC
3	Seat (2)	EPDM
4	O-ring	EPDM
5	Handle	ABS Plastic
6	Bolt	Steel - Zinc Plated
7	Cap	ABS Plastic

Dimensions

Part No.	Size	A	B	C	D	E
210-223	1/2"	3.27	2.52	2.76	0.55	0.87
210-224	3/4"	3.74	3.11	3.46	0.79	1.00
210-225	1"	4.17	3.74	3.94	0.98	1.12
210-226	1 1/4"	4.49	3.90	3.94	1.18	1.25
210-227	1 1/2"	5.12	4.53	4.29	1.42	1.38
210-228	2"	5.79	5.31	5.28	1.83	1.50
210-229	2 1/2"	8.03	6.30	7.01	2.28	1.75
210-230	3"	9.02	7.48	8.82	3.03	1.88
210-231	4"	11.81	9.17	10.87	3.86	2.25

Thermoplastic Valve



Tru-Union PVC • Schedule 80 • Threaded and Solvent Connections • 150 WOG



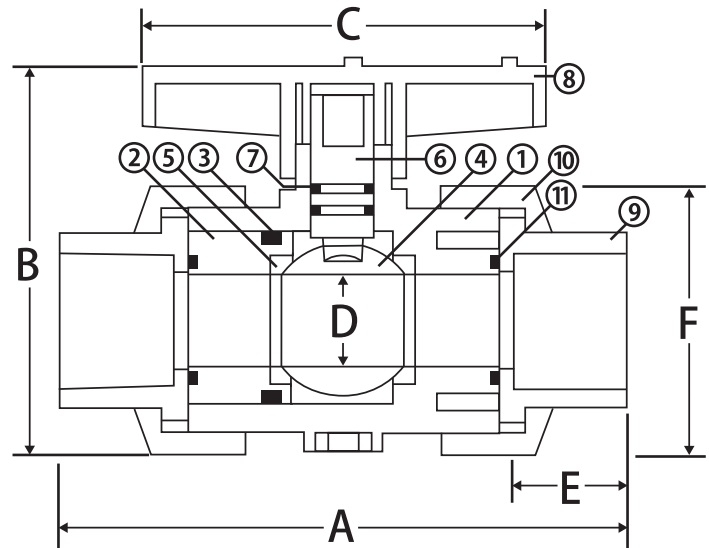
T/S-703

Features

- Easy installation with hand-tightened union nuts
- 2-way blocking ball valve
- Easy line breakdowns without installing additional unions
- Full port design minimum flow restrictions
- Manufactured/assembled without hydrocarbon lubricants
- Mounting pads for electric or pneumatic actuation
- Includes threaded and socket ends
- **NPS connections**

Pressure Rating

- Max service temperature 140°F, 150 PSI @73°F continuous



Material Specifications

No.	Part	Materials
1	Body	UPVC
2	Body Insert	UPVC
3	Body O-ring	Viton®
4	Ball	UPVC
5	Seat (2)	PTFE
6	Stem	UPVC
7	Stem O-ring (2)	Viton®
8	Handle	ABS Plastic
9	Tail Piece (2)	UPVC
10	Union Nut (2)	UPVC
11	Union O-ring (2)	Viton®

Dimensions

Part No.	Size	A	B	C	D	E	F
210-543	1/2"	4.49	2.77	3.07	0.51	0.87	1.83
210-544	3/4"	5.31	3.33	3.62	0.71	1.00	2.17
210-545	1"	5.87	3.90	3.94	0.91	1.13	2.60
210-546	1 1/4"	6.61	4.53	4.33	1.18	1.25	3.23
210-547	1 1/2"	6.89	5.35	4.76	1.50	1.38	3.86
210-548	2"	8.19	6.54	5.79	1.89	1.50	4.72
210-549	2 1/2"	10.83	7.32	7.09	2.40	1.75	5.51
210-550	3"	11.97	8.33	8.82	2.72	1.88	6.42
210-551	4"	13.07	11.44	10.94	3.90	2.25	8.86

Thermoplastic Union

PVC • Schedule 80 • Solvent Connection • 150 WOG



S-700

Features

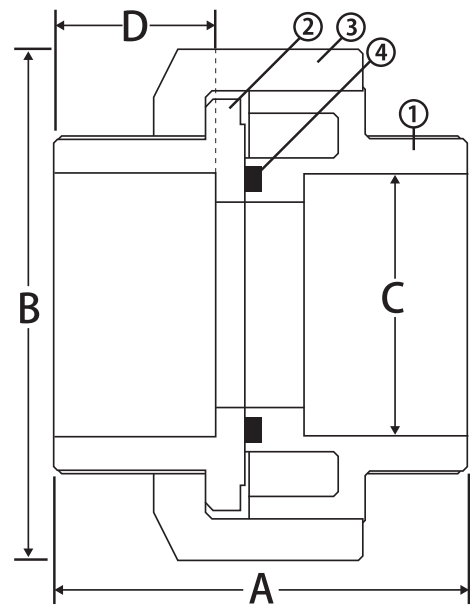
- NPS connections

Approvals ^{NSF}

- NSF 61-8 Certified
- NSF 61 - Annex G
- NSF 372

Pressure Rating

- Max service temperature 140°F, 150 PSI @73°F continuous



Material Specifications

No.	Part	Materials
1	Body	UPVC
2	Tail Piece	UPVC
3	Union Nut	UPVC
4	O-ring	EPDM

Dimensions

Part No.	Size	A	B	C	D
210-403	1/2"	2.17	1.81	0.53	0.87
210-404	3/4"	2.48	2.17	0.65	1.00
210-405	1"	2.80	2.60	0.87	1.13
210-406	1-1/4"	3.41	3.23	1.17	1.25
210-407	1-1/2"	3.50	3.86	1.50	1.38
210-408	2"	3.80	4.70	1.89	1.50
210-409	2 1/2"	4.45	5.51	2.48	1.75
210-410	3"	4.96	6.42	2.95	1.88
210-411*	4"	6.38	8.86	3.94	2.25

* Special order

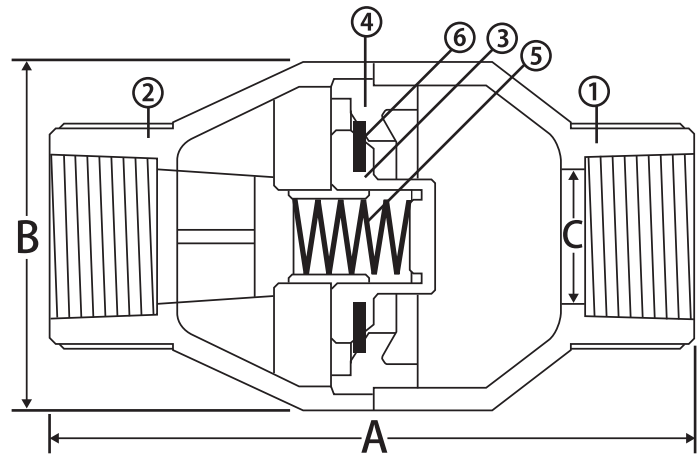
Thermoplastic Check Valve



PVC • In-Line • Schedule 40 • Threaded Connection • 150 WOG



T-711



Features

- Installs horizontally or vertically
- Stainless steel spring-loaded PVC poppet
- Cracking pressure at .5 PSI
- **NPS connections**

Pressure Rating

- Max service temperature 140°F, 150 PSI @73°F continuous

Material Specifications

No.	Part	Materials
1	Body	UPVC
2	End Connection	UPVC
3	Check	UPVC
4	Seat	UPVC
5	Spring	304 Stainless Steel
6	Seal	EPDM

Dimensions

Part No.	Size	A	B	C
210-303	1/2"	41.65	2.20	0.67
210-304	3/4"	4.13	2.20	0.83
210-305	1"	5.24	2.87	1.10
210-306	1 1/4"	6.18	3.58	1.38
210-307	1 1/2"	6.18	3.58	1.54
210-308	2"	7.01	4.21	2.05

Thermoplastic Check Valve

PVC • In-Line • Schedule 40 • Solvent Connection • 150 WOG



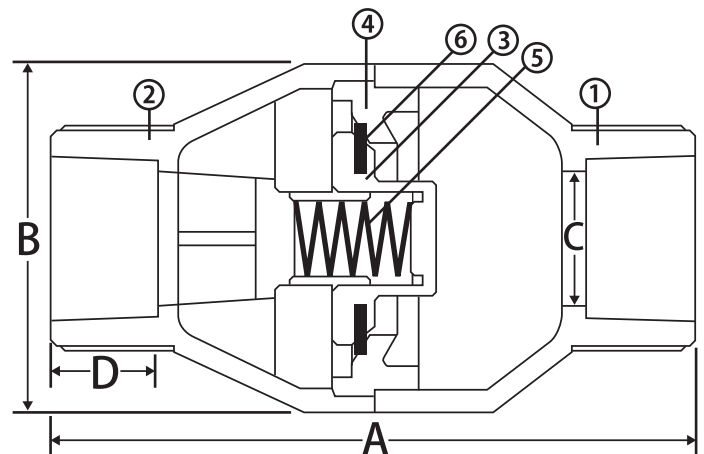
S-711

Features

- Installs horizontally or vertically
- Stainless steel spring-loaded PVC poppet
- Spring activates at .5 PSI
- **NPS connections**

Pressure Rating

- Max service temperature 140°F, 150 PSI @73°F continuous



Material Specifications

No.	Part	Materials
1	Body	UPVC
2	End Connection	UPVC
3	Check	UPVC
4	Seat	UPVC
5	Spring	304 Stainless Steel
6	Seal	EPDM

Dimensions

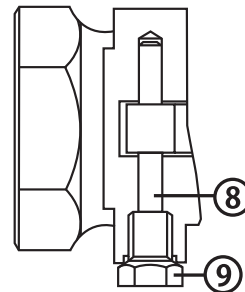
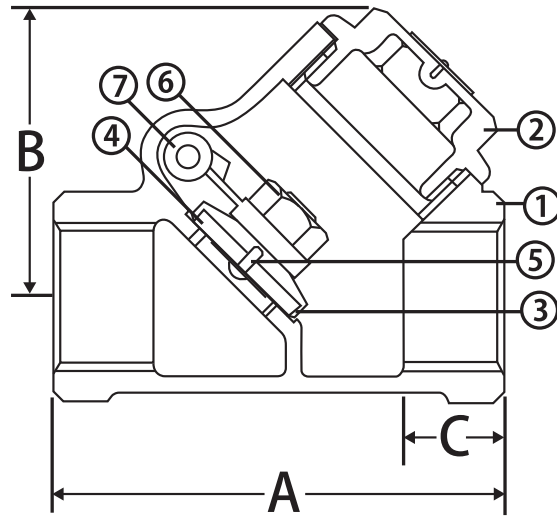
Part No.	Size	A	B	C	D
210-303	1/2"	41.65	2.20	0.67	0.87
210-304	3/4"	4.13	2.20	0.83	1.00
210-305	1"	5.24	2.87	1.10	1.13
210-306	1 1/4"	6.18	3.58	1.38	1.25
210-307	1 1/2"	6.18	3.58	1.54	1.38
210-308	2"	7.01	4.21	2.05	1.50

Bronze Y-pattern Swing Check Valve

Threaded Connection • 300 WOG



T-511



Features

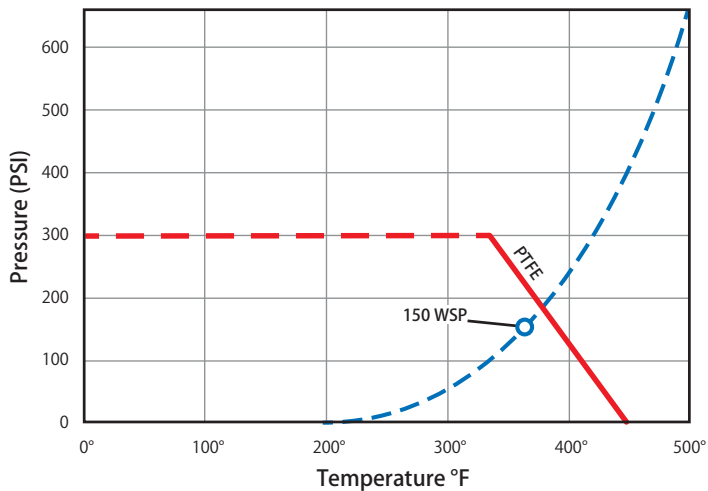
- Constructed of 85-5-5-5 bronze
- Vertical or horizontal positions

Approvals

- MSS SP-80

Valve Seat Rating

300 WOG - 150 WSP



Material Specifications

No.	Part	Materials
1	Body	Bronze
2	Cap	Bronze
3	Disc	Bronze
4	Seat	PTFE
5	Seat Screw	Brass
6	Seat Nut	Brass
7	Hinge Arm	Bronze
8	Hinge Pin	Brass
9	Hinge Screw	Brass

Dimensions

Part No.	Size	A	B	C
105-303	1/2"	2.36	1.77	0.54
105-304	3/4"	2.76	1.97	0.57
105-305	1"	3.40	2.28	0.70
105-306	1-1/4"	3.78	2.67	0.71
105-307	1-1/2"	4.57	2.95	0.75
105-308	2"	5.35	3.70	0.79
105-309	2-1/2"	6.72	4.65	1.14
105-310	3"	7.55	5.47	1.18

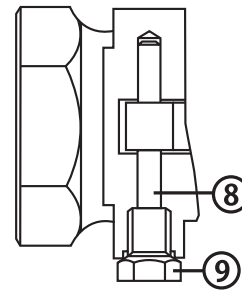
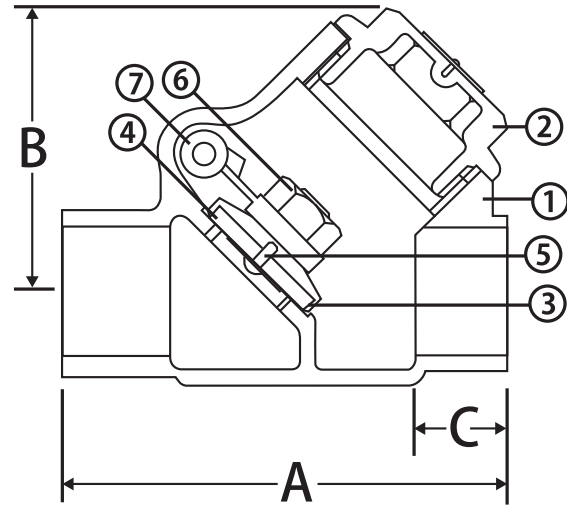
Note: Information subject to change without notice.

Bronze Y-pattern Swing Check Valve

Solder Connection • 300 WOG



S-511



Features

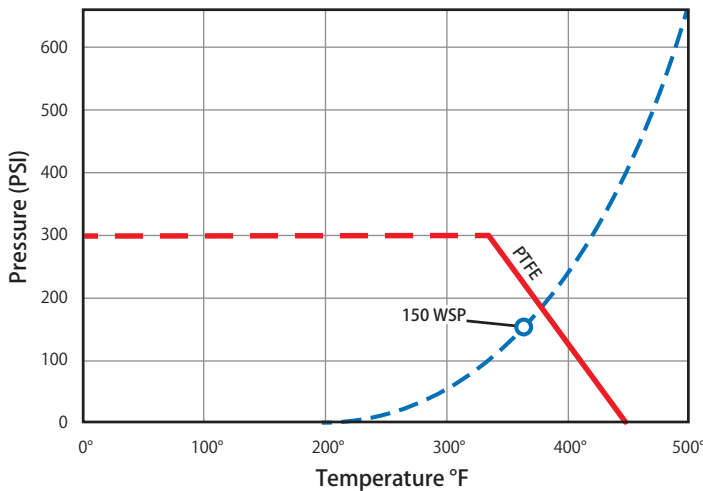
- Constructed of 85-5-5-5 bronze
- Vertical or horizontal positions

Approvals

- MSS SP-80

Valve Seat Rating

300 WOG - 150 WSP



Material Specifications

No.	Part	Materials
1	Body	Bronze
2	Cap	Bronze
3	Disc	Bronze
4	Seat	PTFE
5	Seat Screw	Brass
6	Seat Nut	Brass
7	Hinge Arm	Bronze
8	Hinge Pin	Brass
9	Hinge Screw	Brass

Dimensions

Part No.	Size	A	B	C
105-403	1/2"	2.60	1.77	0.50
105-404	3/4"	3.39	1.97	0.75
105-405	1"	4.09	2.28	0.91
105-406	1-1/4"	4.72	2.67	0.97
105-407	1-1/2"	5.39	2.95	1.09
105-408	2"	6.69	3.70	1.34
105-309	2-1/2"	7.64	4.55	1.47
105-310	3"	8.74	5.37	1.66

Brass Horizontal Swing Check Valve

Threaded Connection • 200 WOG



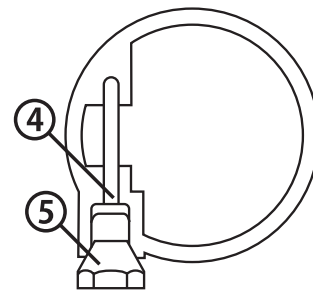
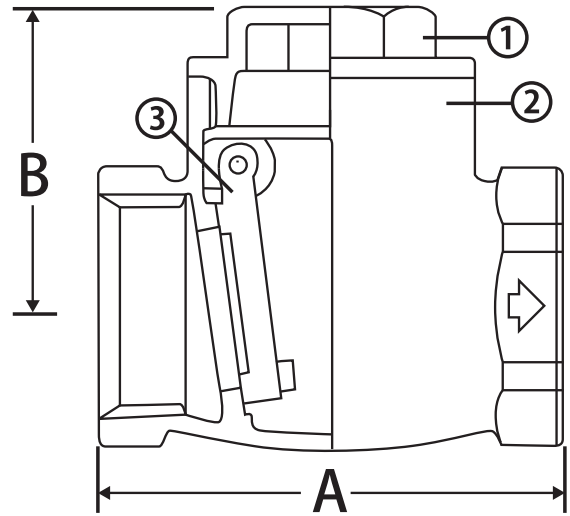
T-501

Features

- Residential and commercial applications

Pressure Rating

- 200 WOG



Material Specifications

No.	Part	Materials
1	Cap	Cast Brass
2	Body	Cast Brass
3	Disc	Forged Brass
4	Hinge Pin	Brass
5	Screw	Brass

Dimensions

Part No.	Size	A	B
105-103	1/2"	2.13	1.54
105-104	3/4"	2.33	1.62
105-105	1"	2.72	1.77
105-106	1-1/4"	3.11	2.01
105-107	1-1/2"	3.51	2.25
105-108	2"	4.30	2.68
105-109	2-1/2"	5.32	3.35
105-110	3"	6.30	3.86
105-111	4"	7.49	4.53

Note: Information subject to change without notice.

Brass Horizontal Swing Check Valve



Solder Connection • 200 WOG



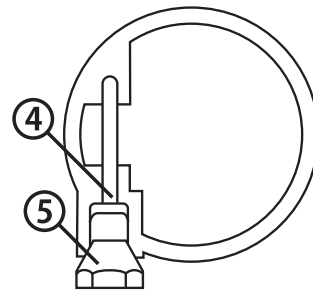
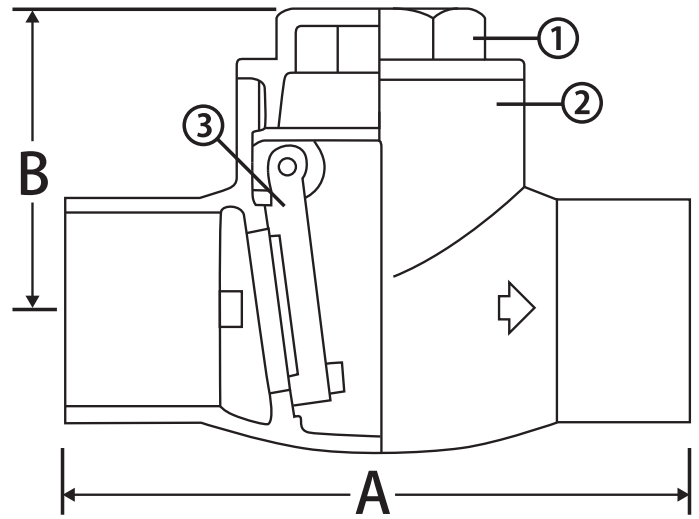
S-501

Features

- Residential and commercial applications

Pressure Rating

- 200 WOG



Material Specifications

No.	Part	Materials
1	Cap	Cast Brass
2	Body	Cast Brass
3	Disc	Forged Brass
4	Hinge Pin	Brass
5	Screw	Brass

Dimensions

Part No.	Size	A	B
105-203	1/2"	2.52	1.54
105-204	3/4"	1.54	1.62
105-205	1"	3.90	1.77
105-206	1-1/4"	4.37	2.01
105-207	1-1/2"	4.96	2.25
105-208	2"	5.99	2.68

Brass Sillcock

Female Threaded Connection • 125 WOG



T-641

Features

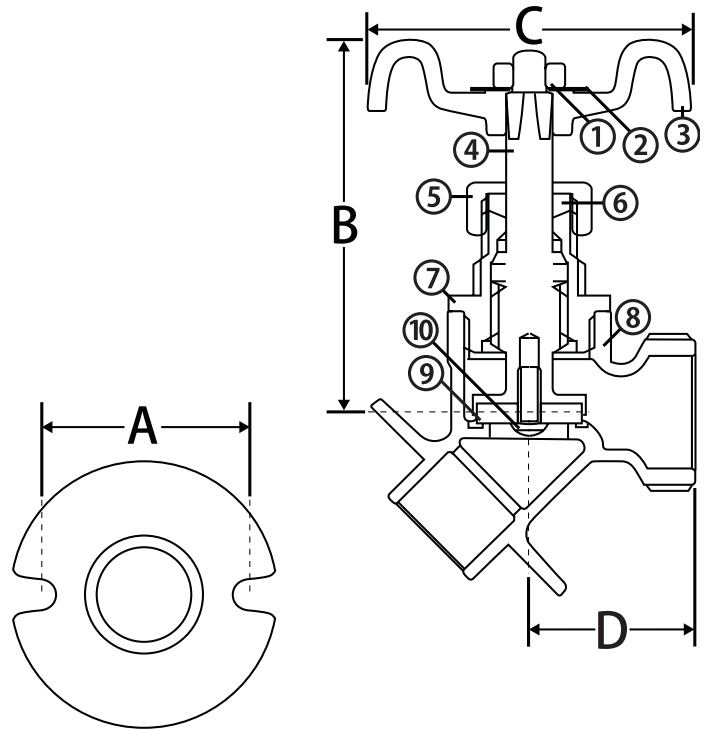
- Manufactured in ISO-9001 facility
- 3/4" hose thread outlet

Approvals

- NSF 61-8 Certified

Pressure Rating

- 125 WOG



Material Specifications

No.	Part	Materials
1	Handle Nut	Steel
2	Name Plate	Aluminum
3	Handle Wheel	Cast Iron
4	Stem	Brass
5	Packing Nut	Brass
6	Gland Packing	Graphite
7	Bonnet	Cast Brass
8	Body	Cast Brass
9	Seat Packing	Buna-N
10	Seat Screw	Brass

Dimensions

Part No.	Size	A	B	C	D
202-003	1/2"	1.10	2.52	2.13	1.38
202-004	3/4"	1.10	2.52	2.13	1.62

Brass Silcock

Solder Threaded Connection • 125 WOG



S-641

Features

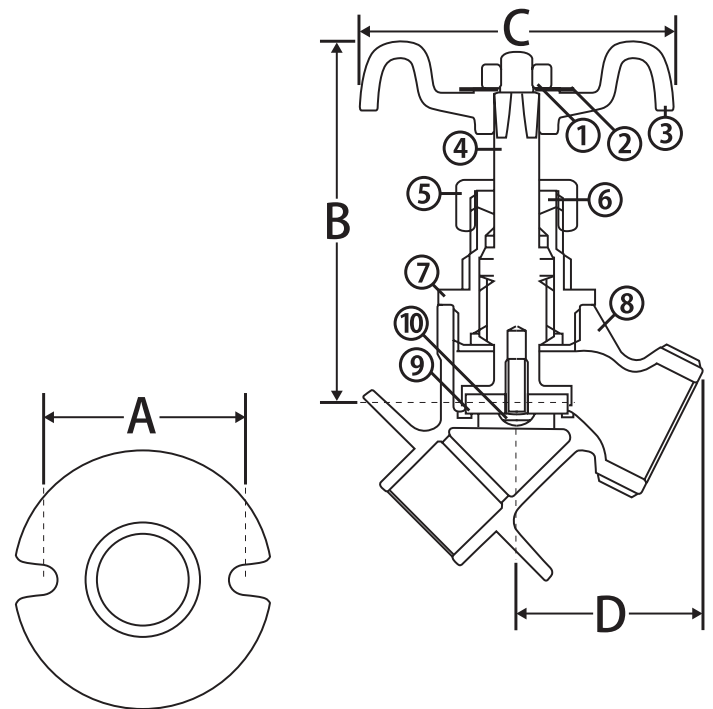
- Manufactured in ISO-9001 facility
- 3/4" hose thread outlet

Approvals

- NSF 61-8 Certified

Pressure Rating

- 125 WOG



Material Specifications

No.	Part	Materials
1	Handle Nut	Steel
2	Name Plate	Aluminum
3	Handle Wheel	Cast Iron
4	Stem	Brass
5	Packing Nut	Brass
6	Gland Packing	Graphite
7	Bonnet	Cast Brass
8	Body	Cast Brass
9	Seat Packing	Buna-N
10	Seat Screw	Brass

Dimensions

Part No.	Size	A	B	C	D
202-103	1/2"	1.10	2.52	2.13	1.38
202-104	3/4"	1.10	2.52	2.13	1.62

Brass Gate Valve



Non-rising Stem • Threaded Connection • 200 WOG



T-301

Features

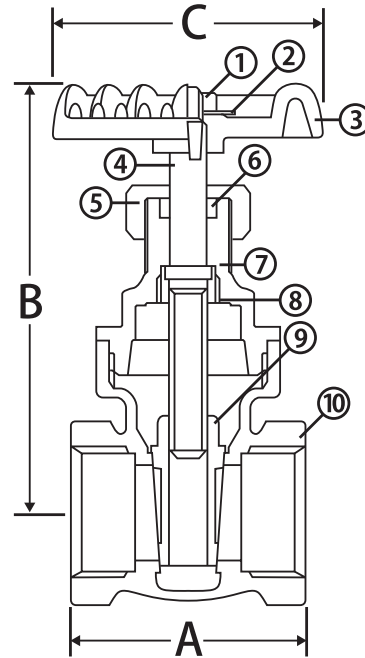
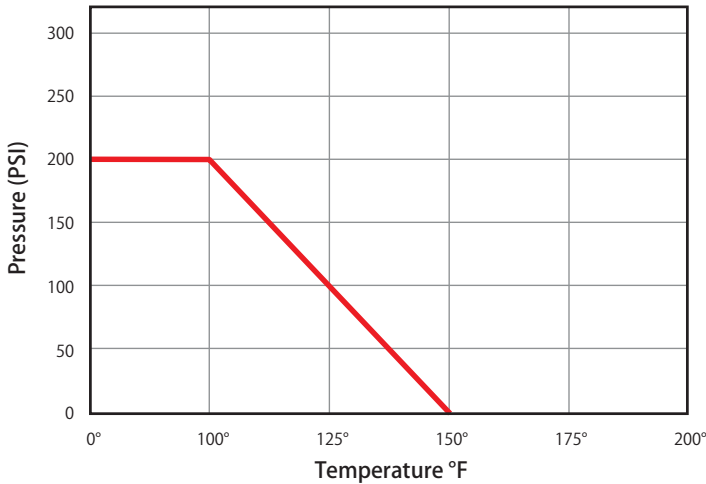
- Manufactured in ISO- facility
- ANSI B16.20.1 threaded ends
- Solid wedge gate

Approvals

- NSF 61-8 Certified

Pressure Rating

200 WOG



Material Specifications

No.	Part	Materials
1	Handle Nut	Steel
2	Name Plate	Aluminum
3	Hand Wheel	Cast Iron
4	Stem	Brass
5	Packing Nut	Brass
6	Gland Packing	Graphite
7	Bonnet	Cast Brass
8	Lock Nut	Brass
9	Disc	Cast Brass
10	Body	Cast Brass

Dimensions

Part No.	Size	A	B	C
103-301	1/4"	1.62	2.76	2.13
103-302	3/8"	1.62	2.76	2.13
103-303	1/2"	1.69	2.84	2.13
103-304	3/4"	1.85	3.31	2.13
103-305	1"	2.13	3.86	2.40
103-306	1-1/4"	2.40	4.57	2.75
103-307	1-1/2"	2.44	4.93	3.13
103-308	2"	2.84	6.03	3.27
103-309	2-1/2"	3.51	7.33	4.14
103-310	3"	3.98	8.75	5.12
103-311	4"	4.57	10.17	6.78

Note: Information subject to change without notice.

Brass Gate Valve

Non-rising Stem • Solder Connection • 200 WOG



S-301

Features

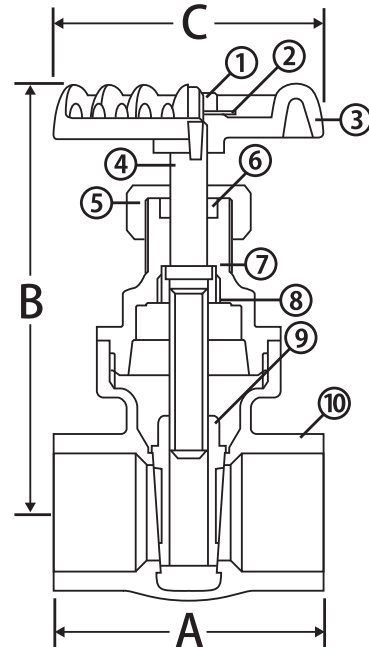
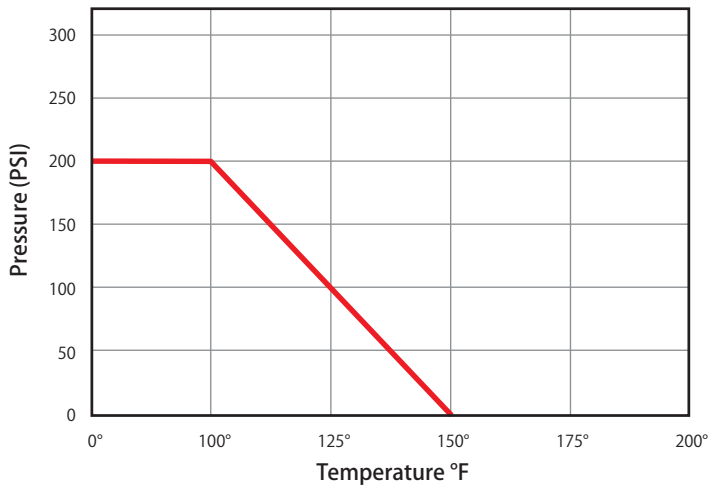
- Manufactured in ISO-9001 facility
- ANSI B16.18 solder ends
- Solid wedge gate

Approvals

- NSF 61-8 Certified

Pressure Rating

200 WOG



Material Specifications

No.	Part	Materials
1	Handle Nut	Steel
2	Name Plate	Aluminum
3	Hand Wheel	Cast Iron
4	Stem	Brass
5	Packing Nut	Brass
6	Gland Packing	Graphite
7	Bonnet	Cast Brass
8	Lock Nut	Brass
9	Disc	Cast Brass
10	Body	Cast Brass

Dimensions

Part No.	Size	A	B	C
103-403	1/2"	1.77	2.84	2.13
103-404	3/4"	2.32	3.31	2.13
103-405	1"	2.76	3.86	2.40
103-406	1-1/4"	2.88	4.57	3.03
103-407	1-1/2"	3.19	4.93	3.03
103-408	2"	3.90	6.03	3.27
103-409	2-1/2"	4.61	7.33	4.14
103-410	3"	5.20	8.75	5.12

Brass Gate Valve



Non-rising Stem • Compression Connection • 200 WOG



T-302

Features

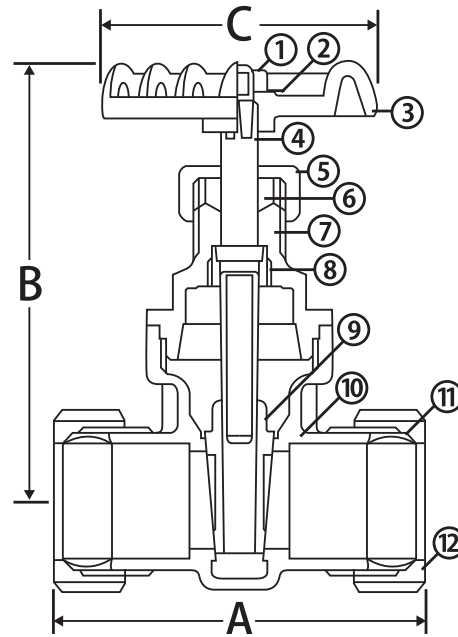
- Manufactured in ISO-9001 facility
- Solid wedge gate

Approvals

- NSF 61-8 Certified

Pressure Rating

- 200 WOG



Material Specifications

No.	Part	Materials
1	Handle Nut	Steel
2	Name Plate	Aluminum
3	Hand Wheel	Cast Iron
4	Stem	Brass
5	Packing Nut	Brass
6	Gland Packing	Graphite
7	Bonnet	Cast Brass
8	Lock Nut	Brass
9	Disc	Cast Brass
10	Body	Cast Brass
11	Compression Ring	Brass Tube
12	Compression Nut	Cast Brass

Dimensions

Part No.	Size	A	B	C
103-423	1/2"	2.72	2.84	2.13
103-424	3/4"	2.96	3.31	2.13
103-425	1"	3.27	3.86	2.41

Brass Stop & Waste Valve

Compression Connection • 200 WOG



T-612

Features

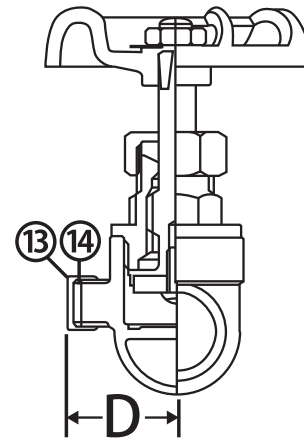
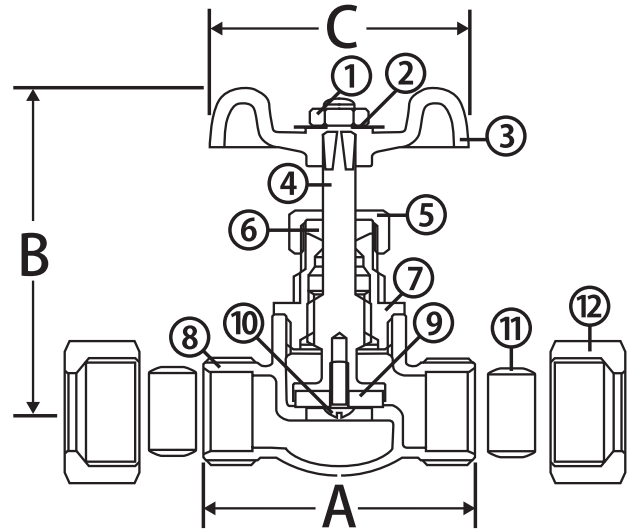
- Manufactured in ISO-9001 facility

Approvals

- NSF 61-8 Certified

Pressure Rating

- 200 WOG



Material Specifications

No.	Part	Materials
1	Handle Nut	Steel
2	Name Plate	Aluminum
3	Hand Wheel	Cast Iron
4	Stem	Brass
5	Packing Nut	Brass
6	Gland Packing	Graphite
7	Bonnet	Cast Brass
8	Body	Cast Brass
9	Seat Packing	NBR (rubber)
10	Seat Screw	Brass
11	Compression Ring	Brass Tube
12	Compression Nut	Cast Brass
13	Drain Cap	Brass
14	Drain Packing	Buna-N

Dimensions

Part No.	Size	A	B	C	D
200-313	1/2"	2.21	2.64	2.13	0.91
200-314	3/4"	2.36	2.64	2.13	0.99

Note: Information subject to change without notice.

Brass Stop Valve

Threaded Connection • 200 WOG



T-601

Features

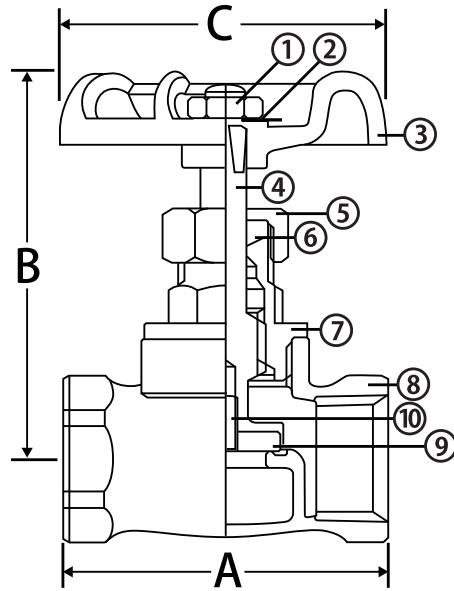
- Manufactured in ISO-9001 facility

Approvals

- NSF 61-8 Certified

Pressure Rating

- 200 WOG



Material Specifications

No.	Part	Materials
1	Handle Nut	Steel
2	Name Plate	Aluminum
3	Hand Wheel	Cast Iron
4	Stem	Brass
5	Packing Nut	Brass
6	Bland Packing	Graphite
7	Bonnet	Cast Brass
8	Body	Cast Brass
9	Seat Packing	Buna-N
10	Seat Screw	Brass

Dimensions

Part No.	Size	A	B	C
200-003	1/2"	2.13	2.64	2.13
200-004	3/4"	2.17	2.64	2.13

Brass Stop Valve

Solder Connection • 200 WOG



S-601

Features

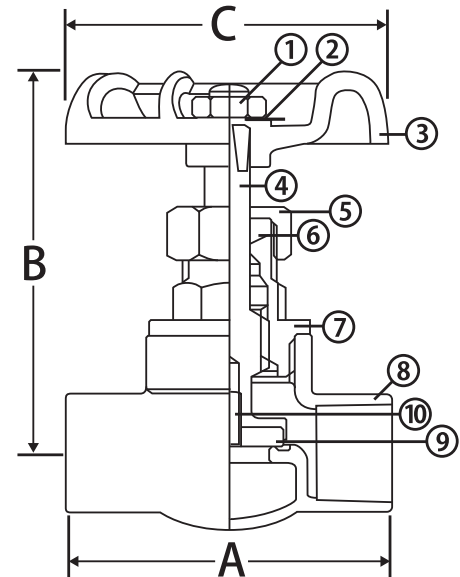
- Manufactured in ISO-9001 facility

Approvals

- NSF 61-8 Certified

Pressure Rating

- 200 WOG



Material Specifications

No.	Part	Materials
1	Handle Nut	Steel
2	Name Plate	Aluminum
3	Hand Wheel	Cast Iron
4	Stem	Brass
5	Packing Nut	Brass
6	Bland Packing	Graphite
7	Bonnet	Cast Brass
8	Body	Cast Brass
9	Seat Packing	Buna-N
10	Seat Screw	Brass

Dimensions

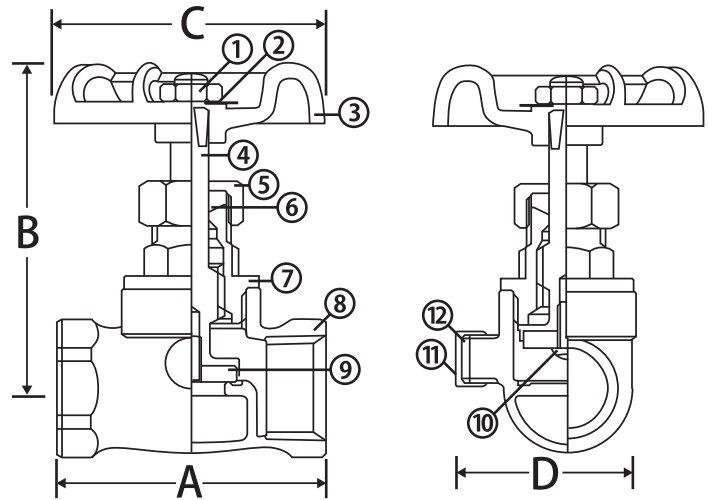
Part No.	Size	A	B	C
200-103	1/2"	2.17	2.64	2.13
200-104	3/4"	2.72	2.64	2.13

Brass Stop & Waste Valve

Threaded Connection • 200 WOG



T-611



Features

- Manufactured in ISO-9001 facility

Approvals ^{NSF}

- NSF 61-8 Certified

Pressure Rating

- 200 WOG

Material Specifications

No.	Part	Materials
1	Handle Nut	Steel
2	Name Plate	Aluminum
3	Hand Wheel	Cast Iron
4	Stem	Brass
5	Packing Nut	Brass
6	Gland Packing	Graphite
7	Bonnet	Cast Brass
8	Body	Cast Brass
9	Seat Packing	Buna-N
10	Seat Screw	Brass
11	Drain Cap	Brass
12	Drain Packing	Buna-N

Dimensions

Part No.	Size	A	B	C	D
200-203	1/2"	2.13	2.64	2.13	0.91
200-204	3/4"	2.17	2.64	2.13	0.99

Brass Stop & Waste Valve

Solder Connection • 200 WOG



S-611

Features

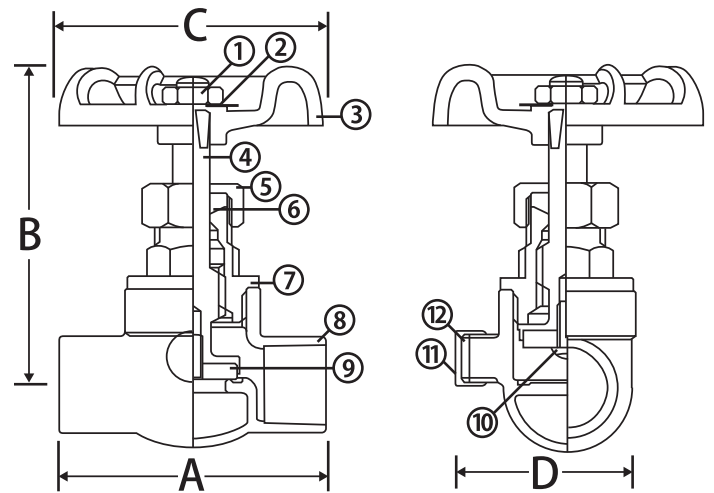
- Manufactured in ISO-9001 facility

Approvals

- NSF 61-8 Certified

Pressure Rating

- 200 WOG



Material Specifications

No.	Part	Materials
1	Handle Nut	Steel
2	Name Plate	Aluminum
3	Hand Wheel	Cast Iron
4	Stem	Brass
5	Packing Nut	Brass
6	Gland Packing	Graphite
7	Bonnet	Cast Brass
8	Body	Cast Brass
9	Seat Packing	Buna-N
10	Seat Screw	Brass
11	Drain Cap	Brass
12	Drain Packing	Buna-N

Dimensions

Part No.	Size	A	B	C	D
200-303	1/2"	2.13	2.64	2.13	0.91
200-304	3/4"	2.17	2.64	2.13	0.99

Brass Boiler Drain

Threaded Male Connection • 125 WOG



T-621

Features

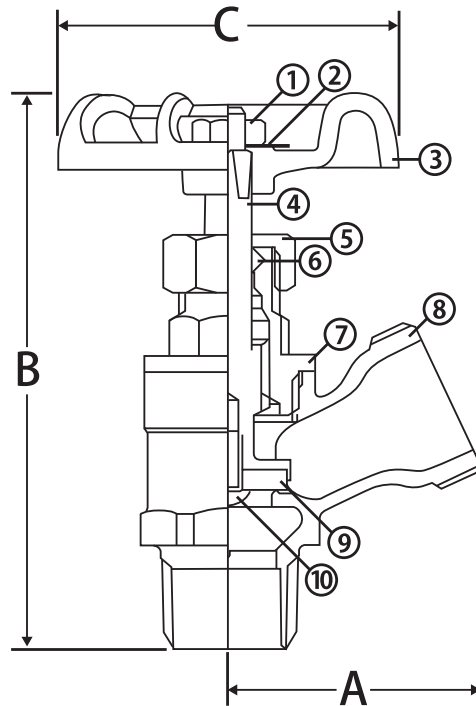
- Manufactured in ISO-9001 facility

Approvals

- NSF 61-8 Certified

Pressure Rating

- 125 WOG



Material Specifications

No.	Part	Materials
1	Handle Nut	Steel
2	Name Plate	Aluminum
3	Hand Wheel	Cast Iron
4	Stem	Brass
5	Packing Nut	Brass
6	Gland Packing	Graphite
7	Bonnet	Cast Brass
8	Body	Cast Brass
9	Seat Packing	Buna-N
10	Seat Screw	Brass

Dimensions

Part No.	Size	A	B	C
201-003	1/2"	1.58	3.59	2.13
201-004	3/4"	1.58	3.70	2.13

Brass Boiler Drain

Threaded Female Connection • 125 WOG



T-622

Features

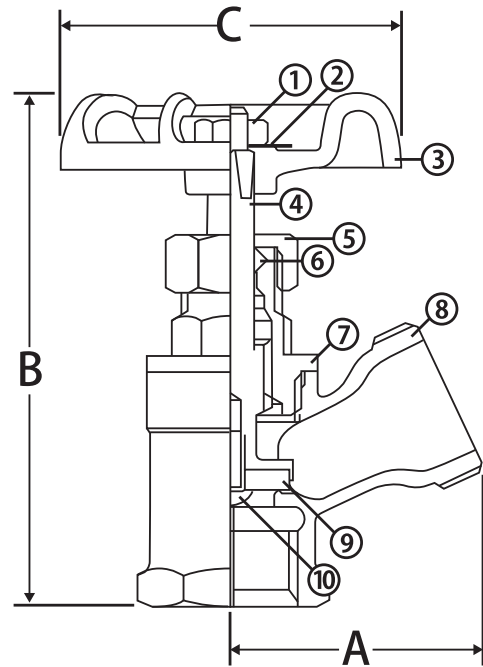
- Manufactured in ISO-9001 facility

Approvals

- NSF 61-8 Certified

Pressure Rating

- 125 WOG



Material Specifications

No.	Part	Materials
1	Handle Nut	Steel
2	Name Plate	Aluminum
3	Hand Wheel	Cast Iron
4	Stem	Brass
5	Packing Nut	Brass
6	Gland Packing	Graphite
7	Bonnet	Cast Brass
8	Body	Cast Brass
9	Seat Packing	Buna-N
10	Seat Screw	Brass

Dimensions

Part No.	Size	A	B	C
201-103	1/2"	1.58	3.31	2.13
201-104	3/4"	1.58	3.35	2.13

Brass Hose Bibb Ball Valve



Nickel Plated • Threaded and Solder Connections • Quarter Turn
• 200 WOG



T-632

Features

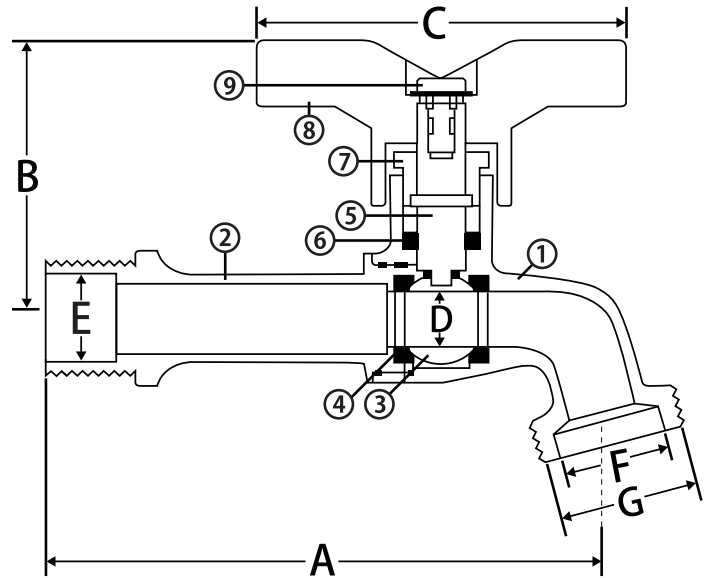
- Lockable handle open/close position
- Aluminum T-handle for easy operation
- Long life positive shutoff
- Nickel-plated finish
- 1/2" T-632 has combination 1/2" M.I.P and 1/2" solder inlet

Approvals

- ANSI B1.20.1 and B1.20.7

Valve Seat Rating

- 200 WOG



Material Specifications

No.	Part	Materials
1	Body	Nickel Plated Brass - C37700
2	End Connection	Nickel Plated Brass - C37700
3	Ball	Chrome Plated Brass - C36000
4	Seat (2)	PTFE
5	Stem	Brass - C36000
6	Packing	PTFE
7	Packing Gland	Brass - C36000
8	Handle	Aluminum
9	Handle Screw	Brass

Dimensions

Part No.	Size	A	B	C	D	E	F	G
201-205	1/2"	3.97	1.97	2.58	0.39	0.67	0.75	3/4 GHT
201-206	3/4"	3.97	1.97	2.58	0.39	0.81	0.75	3/4 GHT

Brass Hose Bibb Ball Valve

Nickel Plated • Threaded and Solder Connections • Quarter Turn
• 200 WOG • with No Kink



T-632NK

Features

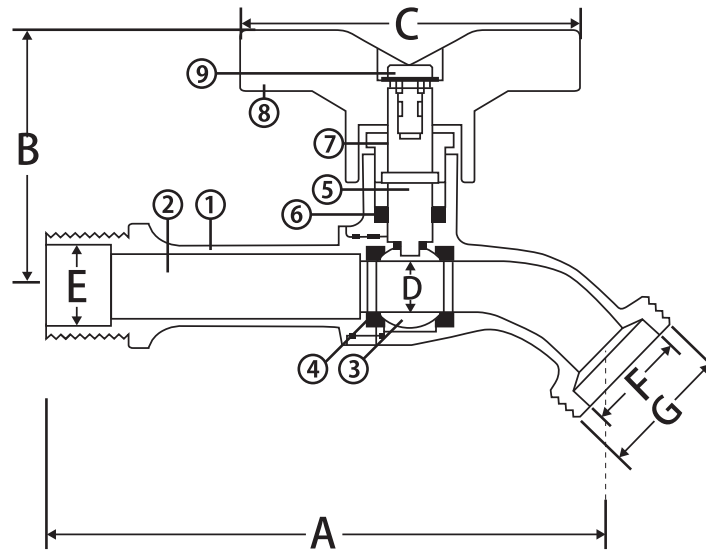
- Lockable handle open/close position
- Aluminum T-handle for easy operation
- Long life positive shut-off
- Nickel-plated finish
- 1/2" T-632NK has combination 1/2" M.I.P and 1/2" solder inlet

Approvals

- ANSI B1.20.1 and B1.20.7

Valve Seat Rating

- 200 WOG



Material Specifications

No.	Part	Materials
1	Body	Nickel Plated Brass - C37700
2	End Connection	Nickel Plated Brass - C37700
3	Ball	Chrome Plated Brass - C36000
4	Seat (2)	PTFE
5	Stem	Brass - C36000
6	Packing	PTFE
7	Packing Gland	Brass - C36000
8	Handle	Aluminum
9	Handle Screw	Nickel Plated Brass

Dimensions

Part No.	Size	A	B	C	D	F	G	H
201-207	1/2"	3.97	1.97	2.58	0.39	0.67	0.75	3/4 GHT
201-208	3/4"	3.97	1.97	2.58	0.39	0.81	0.75	3/4 GHT

Brass Vacuum Breaker

Threaded Connection



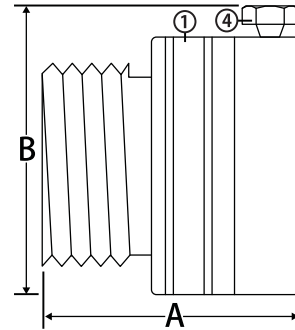
T-653

Features

- 3/4" hose connection
- Tamper-resistant breakaway screw
- Heavy brass construction
- POM internal components

Temperature and Pressure Ratings

- 300 WOG - 150 PSI



Material Specifications

No.	Part	Materials
1	Body	Brass
2	Diaphragm*	Buna-N
3	Spring*	Stainless Steel
4	Set Screw	Steel

* Not shown in drawing

Dimensions

Part No.	Size	A	B
203-204	3/4"	1.31	1.25

Chrome Plated Vacuum Breaker

Threaded Connection



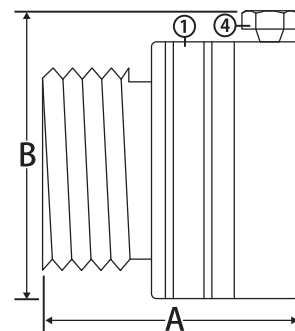
T-654

Features

- 3/4" hose connection
- Tamper-resistant breakaway screw
- Heavy brass construction
- POM internal components

Temperature and Pressure Ratings

- 300 WOG - 150 PSI



Material Specifications

No.	Part	Materials
1	Body	Chrome Plated Brass
2	Diaphragm*	Buna-N
3	Spring*	Stainless Steel
4	Set Screw	Steel

* Not shown in drawing

Dimensions

Part No.	Size	A	B
203-205	3/4"	1.31	1.25

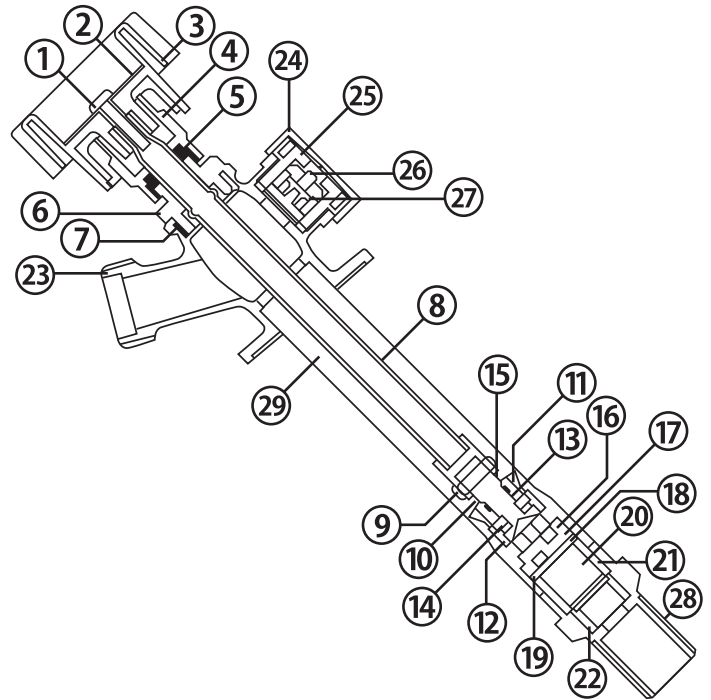
Note: Information subject to change without notice.

Low Pressure Brass Sillcock

Half-Turn Frost Free Sillcock with Integral Vacuum Breaker



T-540



Features

- Integral vacuum breaker
- Chrome plated brass vacuum breaker cap
- 3/4" hose outlet

Approvals

- CSA Certified
- IAPMO / UPC listed
- ASSE 1019 approved

Dimensions

Part No.	Dimensions	Size
MIP		
202-202*		1/2" x 6"
202-203*		1/2" x 8"
202-204*		1/2" x 10"
202-205*		1/2" x 12"
202-206*		1/2" x 14"
* Has copper sweat inside		
FIP		
202-209†		3/4" x 8"
202-210†		3/4" x 10"
202-211†		3/4" x 12"
† Has FIP inside		
PEX End		
202-202PE		1/2" x 6"
202-203PE		1/2" x 8"
202-204PE		1/2" x 10"
202-205PE		1/2" x 12"

Material Specifications

No.	Part	Materials
1	Screw	Brass
2	Label	Aluminum
3	Handle	Zinc, TPR
4	Packing Nut	Chrome Plated Brass
5	Packing	NBR
6	Bonnet	Chrome Plated Brass
7	O-ring	NBR
8	Stem	Brass
9	Set Screw	Stainless Steel
10	Clip	Stainless Steel
11	Packing	NBR
12	Cover	Brass
13	O-ring	NBR
14	Washer	PTFE
15	Stem	Brass
16	Fix Ceramic	Ceramic
17	Movement	Ceramic
18	Washer	Silicon
19	Washer	Brass
20	Check Valve	POM
21	Valve Base	Brass
22	O-ring	Viton®
23	Body	Brass
24	Vacuum Breaker Cap	Chrome Plated Brass
25	Vacuum Breaker Body	POM
26	Vacuum Breaker Disc	POM
27	Vacuum Breaker Seat	NBR
28	Adapter	Chrome Plated Brass
29	Tube	Chrome Plated Brass

Note: Information subject to change without notice.

Low Pressure Quarter Turn Series

200 WOG



JF-800 Series

Features

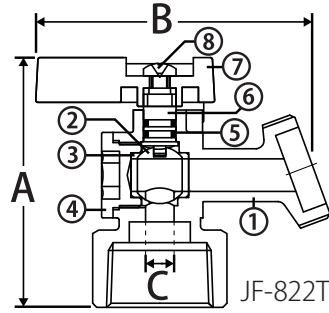
- A practical alternative to multi-turn valves
- Simple on/off operation
- Easy installation and access for hose hook-up
- High flow rate

Valve Seat Rating

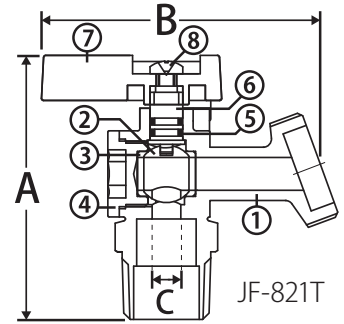
- 200 WOG

Material Specifications

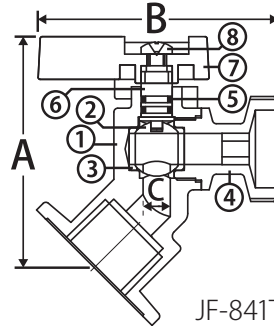
No.	Part	Materials
1	Body	Brass - C37700
2	Ball	Chrome Plated Brass - C37700
3	Seat (2)	PTFE
4	Cap / End Connection	Brass - C37700
5	O-ring	Buna-N
6	Stem	Brass - C37700
7	Handle	Steel - Plated
8	Handle Screw	Steel - Q-235



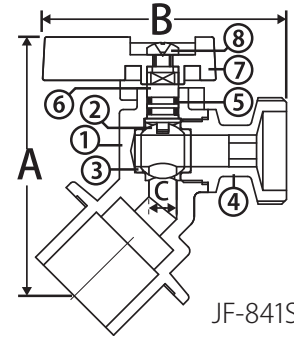
JF-822T



JF-821T



JF-841T



JF-841S

Dimensions

Part No.	Size	A	B	C
JF-822T Boiler Drain - Female				
211-003	1/2"	2.34	2.68	0.31
211-004	3/4"	2.42	2.68	0.31

JF-821T Boiler Drain - Male				
211-103	1/2"	2.54	2.68	0.31
211-104	3/4"	2.74	2.68	0.31

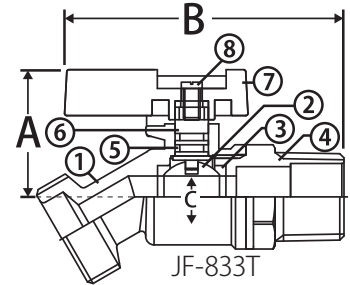
JF-841T Sillcock - Threaded				
212-003	1/2"	2.34	2.44	0.31
212-004	3/4"	2.45	2.44	0.31

JF-841S Sillcock - Solder				
212-103	1/2"	2.60	2.44	0.31
212-104	3/4"	2.60	2.44	0.31

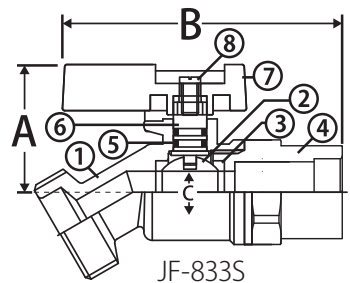
JF-833T Hose Bibb - Threaded (no kink)				
211-207	1/2"	1.20	2.64	0.31
211-208	3/4"	1.20	2.64	0.31

JF-833S Hose Bibb - Solder (no kink)				
211-209	1/2"	1.20	2.87	0.31

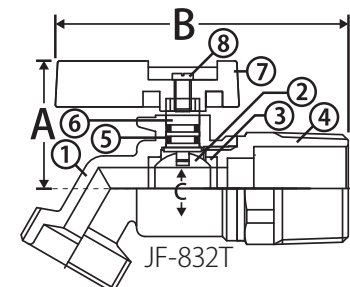
JF-832T Hose Bibb - Male				
211-205	1/2"	1.20	2.64	0.31
211-206	3/4"	1.20	2.76	0.31



JF-833T



JF-833S



JF-832T

Note: Information subject to change without notice.

Dielectric Union

Copper Solder x Galvanized • 250 PSI



Copper Solder x Galvanized

Features

- Prevents accelerated corrosion
- -20°F to 180°F - Buna Seats
- -20°F to 220°F - Teflon® Seats

Approvals

- Meets ANSI B16.39
- IPS ANSI B1.20.1
- Solder end ANSI B16.18

Material Specifications

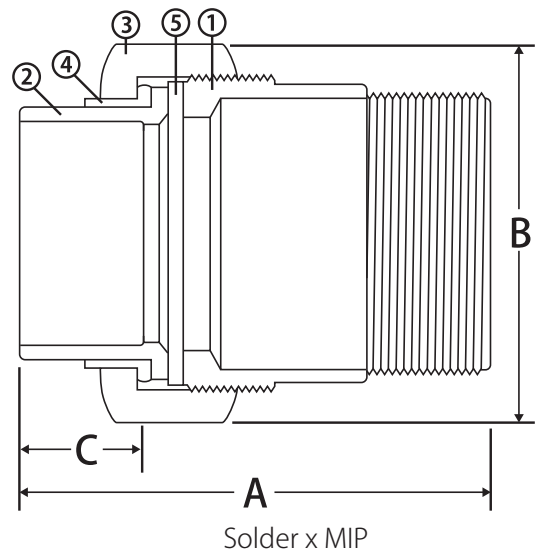
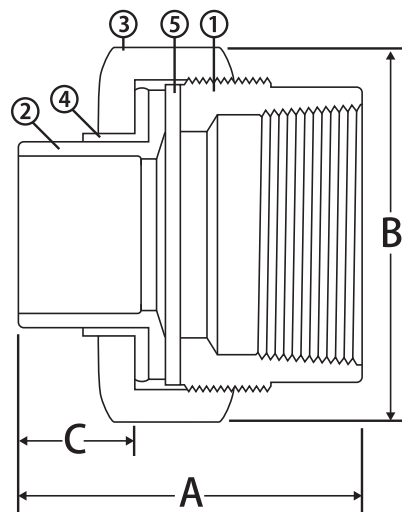
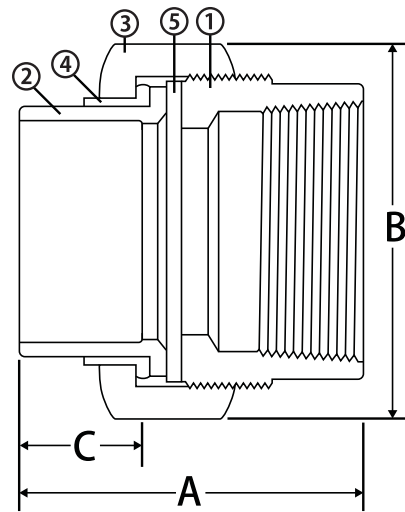
No.	Part	Materials
1	Body	Steel - Zinc Plated
2	Tail Piece	Brass
3	Union Nut	Steel - Zinc Plated
4	Dielectric Ring	Nylon 66
5	Gasket*	Buna-N

*Teflon available if specified

Dimensions

Part No.	Size	A	B	C
Solder x FIP				
701-103	1/2" SWT x 1/2" FIP	1.87	1.61	0.65
701-104	3/4" SWT x 3/4" FIP	2.11	1.83	0.79
701-105	1" SWT x 1" FIP	2.34	2.15	0.86
701-106	1-1/4" SWT x 1-1/4" FIP	2.50	2.59	0.94
701-107	1-1/2" SWT x 1-1/2" FIP	2.79	2.95	1.11
701-108	2" SWT x 2" FIP	3.09	3.75	1.32
Solder x FIP Reducing				
701-204	1/2" SWT x 3/4" FIP	1.95	1.83	0.65
701-205	3/4" SWT x 1" FIP	2.10	2.15	0.68
MIP x Solder				
701-303	1/2" SWT x 1/2" MIP	2.85	1.61	0.65
701-304	3/4" SWT x 3/4" MIP	3.01	1.83	0.79
701-305	3/4" SWT x 1/2" MIP	2.62	1.83	0.65
701-306	1" SWT x 1" MIP	3.18	2.15	0.86

Note: Information subject to change without notice.



Dielectric Union

Black Iron FIP x FIP • 250 PSI



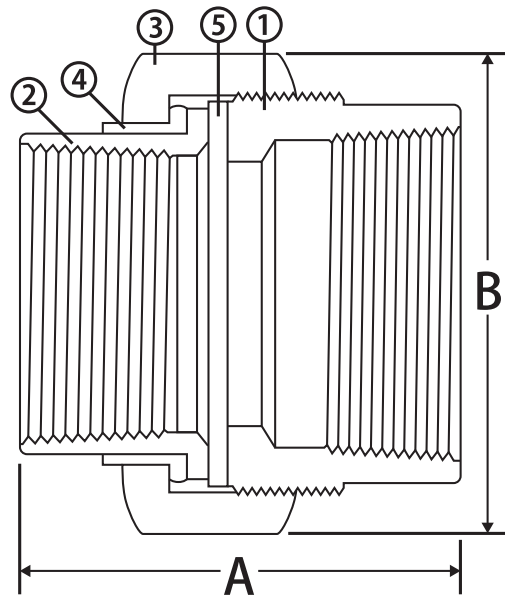
Black Iron FIP x FIP

Features

- Prevents accelerated corrosion
- For use on black pipe
- -20°F to 180°F - Buna seats
- -20°F to 220°F - Teflon® seats

Approvals

- Meets ANSI B16.39
- IPS ANSI B1.20.1



Material Specifications

No.	Part	Materials
1	Body	Steel - Black Finish
2	Tail Piece	Steel - Black Finish
3	Union Nut	Steel - Black Finish
4	Dielectric Ring	Nylon 66
5	Gasket*	Buna-N

*Teflon available if specified

Dimensions

Part No.	Size	A	B
701-403	1/2" FIP x 1/2" FIP	2.14	1.61
701-404	3/4" FIP x 3/4" FIP	2.21	1.83
701-405	1" FIP x 1" FIP	2.54	2.58
701-406	1-1/4" FIP x 1-1/4" FIP	2.73	2.96
701-407	1-1/2" FIP x 1-1/2" FIP	2.73	3.75
701-408	2" FIP x 2" FIP	3.12	4.30

Dielectric Union

Galvanized FIP x FIP • 250 PSI



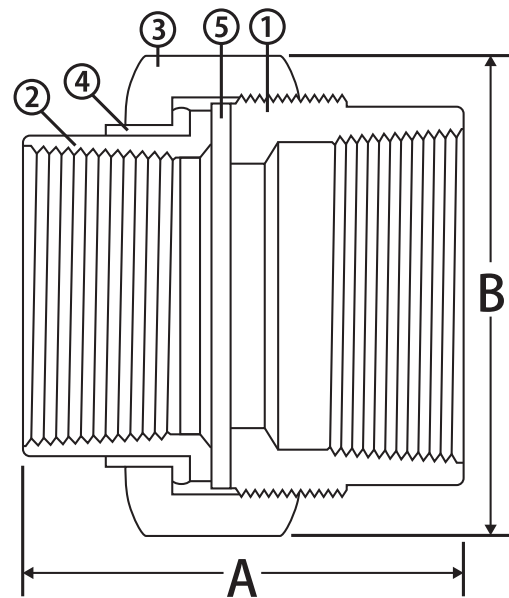
Galvanized FIP x FIP

Features

- Prevents accelerated corrosion
- -20°F to 180°F - Buna seats
- -20°F to 220°F - Teflon® seats

Approvals

- Meets ANSI B16.39
- IPS ANSI B1.20.1



Material Specifications

No.	Part	Materials
1	Body	Steel - Zinc Plated
2	Tail Piece	Steel - Zinc Plated
3	Union Nut	Steel - Zinc Plated
4	Dielectric Ring	Nylon 66
5	Gasket*	Buna-N

*Teflon available if specified

Dimensions

Part No.	Size	A	B
701-413	1/2" FIP x 1/2" FIP	2.14	1.61
701-414	3/4" FIP x 3/4" FIP	2.21	1.83
701-415	1" FIP x 1" FIP	2.54	2.58
701-416	1-1/4" FIP x 1-1/4" FIP	2.73	2.96
701-417	1-1/2" FIP x 1-1/2" FIP	2.73	3.75
701-418	2" FIP x 2" FIP	3.12	4.30

Dielectric Union

Brass FIP x Galvanized FIP • 250 PSI



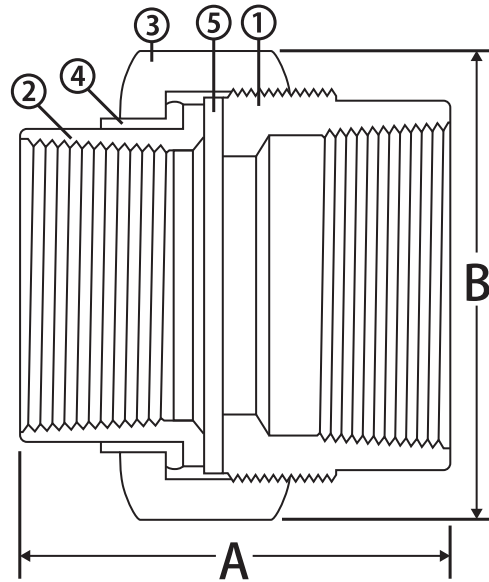
Brass FIP x Galvanized FIP

Features

- Prevents accelerated corrosion
- -20°F to 180°F - Buna seats
- -20°F to 220°F - Teflon® seats

Approvals

- Meets ANSI B16.39
- IPS ANSI B1.20.1



Material Specifications

No.	Part	Materials
1	Body	Steel - Zinc Plated
2	Tail Piece	Brass
3	Union Nut	Steel - Zinc Plated
4	Dielectric Ring	Nylon 66
5	Gasket*	Buna-N

*Teflon available if specified

Dimensions

Part No.	Size	A	B
701-503	1/2" FIP x 1/2" FIP	2.14	1.61
701-504	3/4" FIP x 3/4" FIP	2.21	1.83
701-505	1" FIP x 1" FIP	2.54	2.58

Valve Accessory

Memory Stop



Memory Stop

Features

Designed to help control the flow in applications where precision throttling is needed

- Percentage flow rates printed on memory stop for precise flow control
- Vibration free self-locking nut
- Fits on any T-100, S-100 or JP-100 series ball valve

Installation

Designed to be assembled on top of the stem assembly for easy and accurate flow control.

1. Remove handle nut (leave handle in place).
2. Slide numbered plate on stem over valve handle
3. Replace and tighten handle nut.
4. With valve in full open position, place memory indicator on top of handle and over handle nut positioned at 100. This should place the indicator tail behind the handle stop.
5. Loosely tighten down hex cap screw supplied with memory kit.
6. While holding memory indicator tail, turn valve to desired opening and tighten.

Part No.	Types	
	Size	Type
220-103	1/4", 3/8", 1/2"	1
220-104	3/4"	2
220-105	1", 1-1/4"	3
220-106	1-1/2", 2"	4

Valve Accessory

Handle Accessory



Lift-n-Lock

The Jomar locking device prevents unauthorized use during maintenance or down-time. The locking device is attached over the stem and handle and held in place with an allen screw that is threaded into the center of the stem. With the padlock in place, the allen screw is not accessible, making it a tamper proof design. Will fit any T-100, S-100 or JP-100 series ball valve.

Locks Both Open & Closed			Locks Only in Closed Position		
Part No.	Size	Type	Part No.	Size	Type
210-994	1/4", 3/8", 1/2"	1	210-994C	1/4", 3/8", 1/2"	1
210-995	3/4"	2	210-995C	3/4"	2
210-996	1", 1-1/4"	3	210-996C	1", 1-1/4"	3
210-997	1-1/2", 2"	4	210-997C	1-1/2", 2"	4
210-998	2-1/2", 3"	5	210-998C	2-1/2", 3"	5
			210-999C	4"	6

Valve Accessory

Handle Accessory



Stem Extension

The Jomar handle extensions are available for applications where it is necessary to extend the valve handle approximately 2" higher from it's original position. Fits on any T-100, S-100 or JP-100 series ball valve.

Part No.	Size	Type
230-004	1/4", 3/8", 1/2"	Type 1
230-005	3/4"	Type 2
230-006	1", 1-1/4"	Type 3
230-007	1-1/2", 2"	Type 4
230-008	2-1/2", 3"	Type 5

Valve Accessory

Handle Accessory



Slo-Ball Handle

The Jomar Slow-Ball is a 270° gear-closing handle that allows metering of the fluids under high pressure thus preventing a potential water hammer situation in the pipe. Fits on any T-100, S-100 or JP-100 series ball valve.

Part No.	Size	Type
220-014	1/4", 3/8", 1/2"	Type 1
220-015	3/4"	Type 2
220-016	1", 1-1/4"	Type 3
220-017	1-1/2", 2"	Type 4

Valve Accessory

Handle Accessory



Long-Neck T-Handle

The Jomar Long-Neck T-Handle is ideal for applications where piping will be insulated. Fits on any T-100, S-100 or JP-100 series ball valve.

Part No.	Size	Type
220-223	1/4", 3/8", 1/2"	Type 1
220-224	3/4"	Type 2
220-225	1", 1-1/4"	Type 3

Basket Strainer DESIGNER SERIES



300 Grade Stainless/Brushed Stainless Steel Sink Strainer



SS-306 Snap-N-Loc®

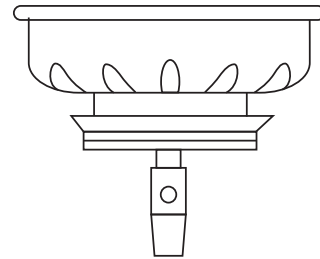
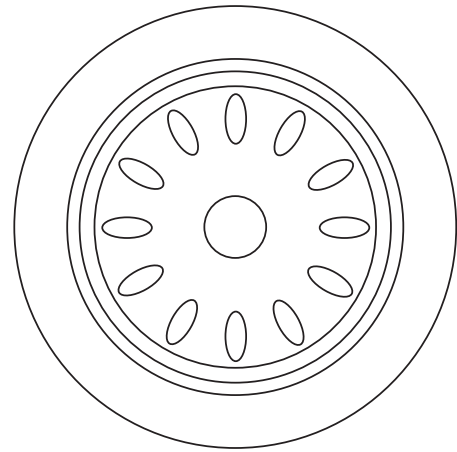
Description

The most innovative basket strainer in history. The basket seals to the body through a ball bearing in the post creating a positive leakproof seal. Deep cup body and basket are 300 series stainless steel and both are buffed creating a high polish finish. Hand knob and post are chrome plated brass and the ball bearing is 300 series stainless steel. Zinc nuts are standard. Available with brass tail nut and locknut (SS-306B).

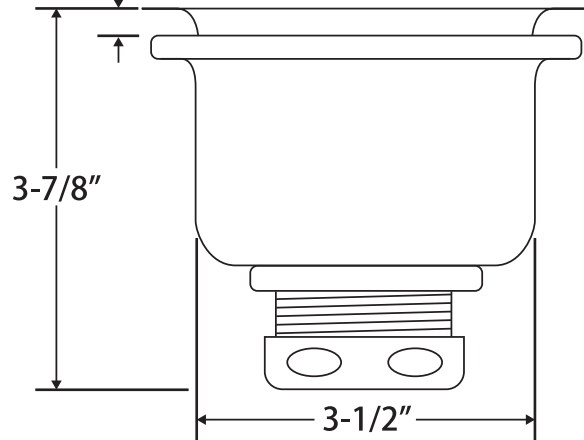
This brushed stainless / satin nickel Snap-N-Loc® basket strainer fits all 3-1/2" sink openings and is easy to install. It is dishwasher safe and the ME-150 acrylic coating guarantees a lifetime warranty against scratches, discoloring or tarnishing.

Part No.	Model	Finish
300-006	SS 306	300 Series Stainless Steel
300-008	SS 306B	300 Series Stainless Steel
300-0017CLAM	BS-313B	Brushed Stainless

B = Brass Tailnut and Locknut



1/16" min
3/4" max



Basket Strainer DESIGNER SERIES



Chrome Plated Brass/Brushed Stainless Steel Sink Strainer



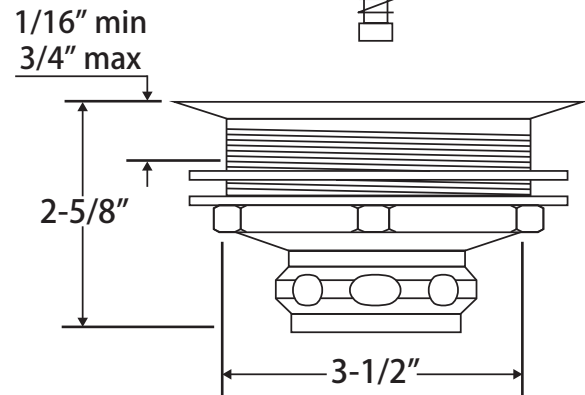
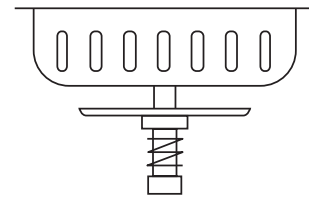
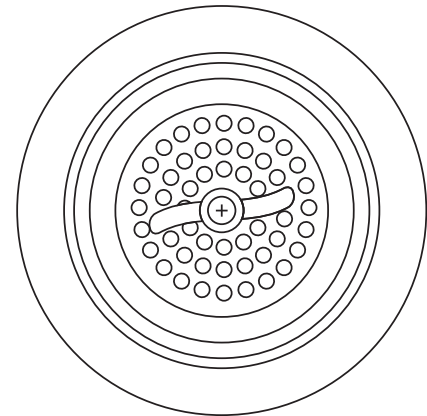
SS-304 Twist-N-Loc®

Description

The world's finest basket strainer. The twist wrist action creates a positive metal to metal leakproof seal. Manufactured with the high quality materials that this design deserves. Deluxe chrome plated brass body, 300 series stainless steel basket, chrome plated brass hand knob and post. Extra large locknut and tail nut for easy installation. Zinc nuts standard. Available with brass locknut and tail nut (SS-304B). Fits 3-1/2" to 4" sink openings.

Part No.	Model	Finish
300-001	SS 304	Chrome Plated Brass
300-003	SS 304B	Chrome Plated Brass
300-0023CLAM	BS-325B	Brushed Stainless

B = Brass Tail nut and Locknut



Basket Strainer DESIGNER SERIES

Chrome Plated Brass Sink Strainer

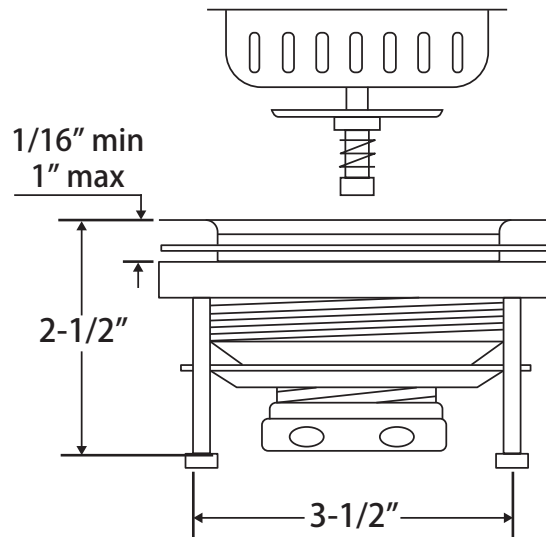
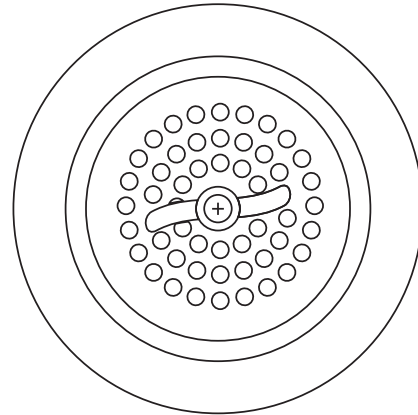


SS-305 Easy-Loc®

Description

The essence of quality. Same design as the Twist-N-Loc™ but with a labor saving mounting device. The three bolts may be tightened with a screwdriver or may be motor driven. Installation is a snap. Brass tail nut is standard. Fits 3-1/2" to 4" sink openings.

Part No.	Model	Finish
300-004	SS 305	Chrome Plated Brass



Basket Strainer DESIGNER SERIES

Chrome Plated Brass Sink Strainer

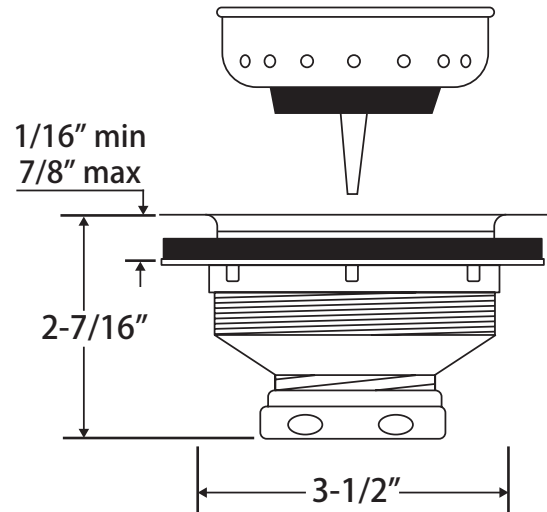
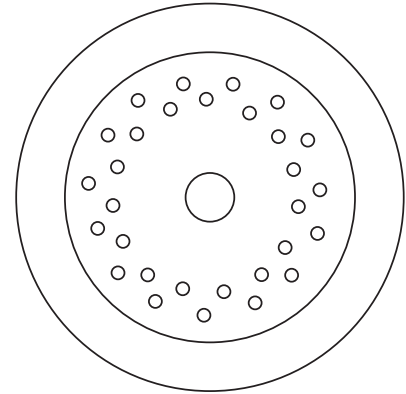


SS-410 Smart Move®

Description

An excellent strainer value. Deluxe chrome plated brass body, stainless steel basket with chrome plated brass hand knob and post. Extra large locknut and tail nut for easy installation. Available with zinc nuts only. Fits 3-1/2" to 4" sink openings.

Part No.	Model	Finish
300-009	SS 410	Chrome Plated Brass



Basket Strainer

300 Grade Stainless Steel Sink Strainer

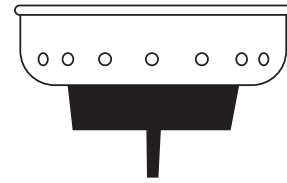
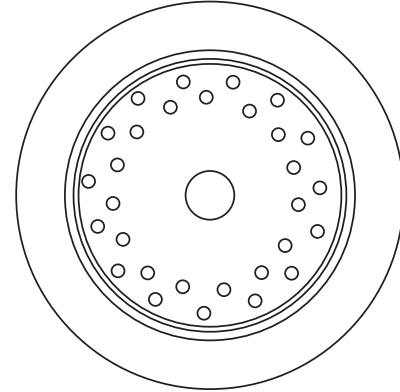


SS-420 Mag-Na-Loc®

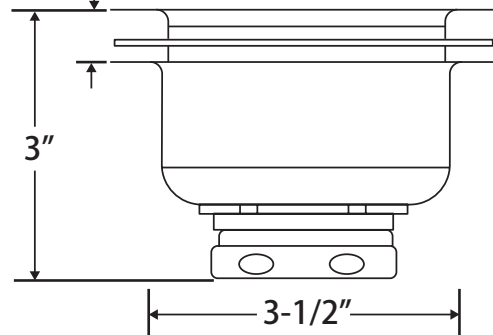
Description

Innovation to perfection. A magnet inside the rubber stopper ensures a tight leakproof seal between the basket and body. Body is 300 series stainless steel, basket is 430 stainless steel with a chrome plated brass hand knob and post. Available with zinc nuts only. Fits 3-1/2" to 4" sink openings.

Part No.	Model	Finish
300-011	SS 420	300 Series Stainless Steel



1/16" min
3/4" max



Basket Strainer

300 Grade Stainless Steel Sink Strainer



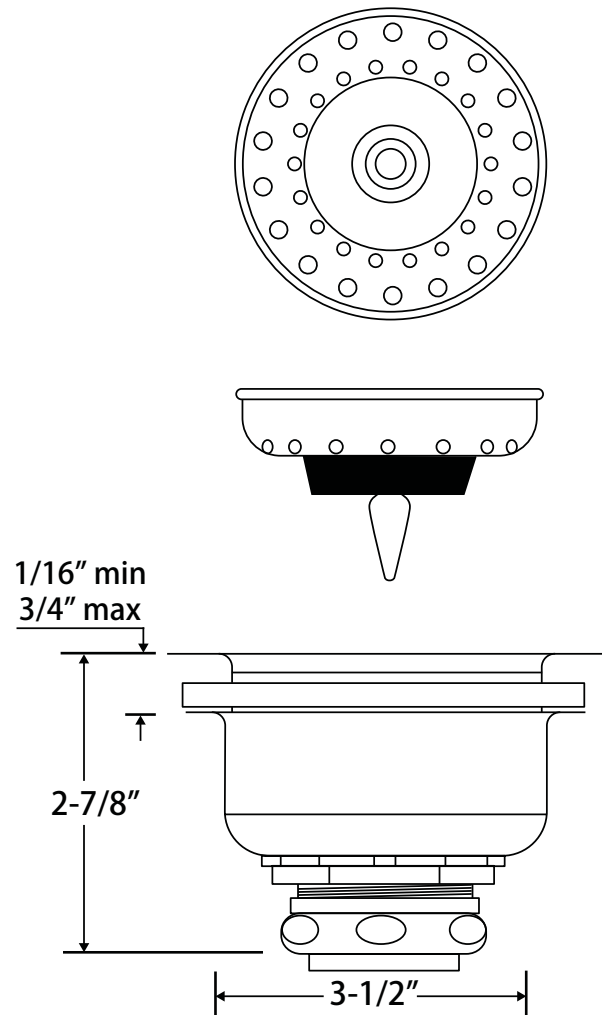
SS-440 Snap-Tite™

Description

Jomar's new basket strainer the Snap-Tite™ with revolutionary snap action, leakproof basket. The body and basket are 300 series stainless steel with standard zinc locknut and tail nut. Brass tail nut available.

Part No.	Model	Finish
300-012	SS 440	300 Series Stainless Steel
300-014	SS 440B	300 Series Stainless Steel

B = Brass Tail nut and Locknut



Basket Strainer

300 Grade Stainless Steel Sink Strainer

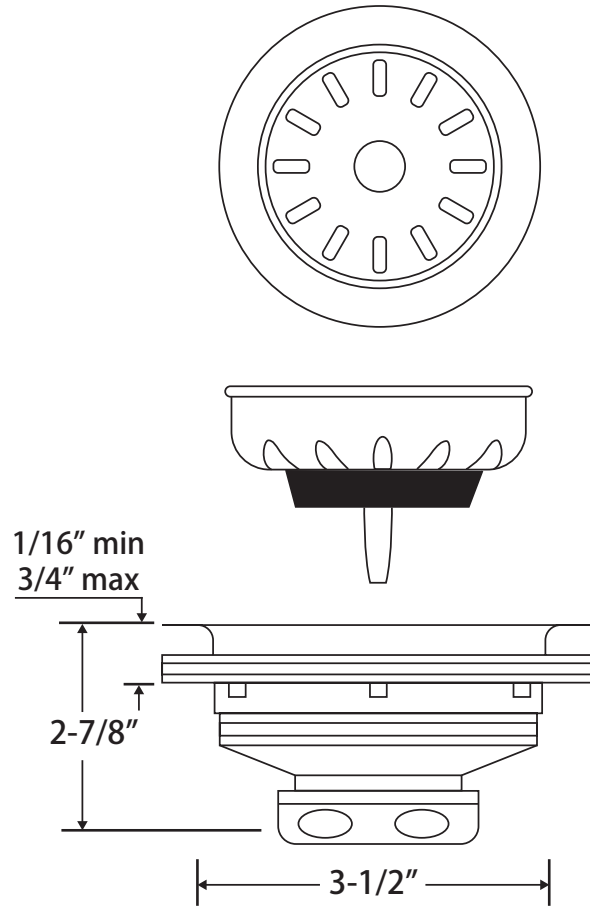


SS-430 Snap-N-Seal®

Description

An improved design of a simple basket strainer. The basket seals to the body with a rubber stopper design. Body and basket are 430 stainless steel. Hand knob is chrome plated ABS plastic. Very competitive. Available with zinc nuts only. Fits 3-1/2" to 4" sink openings.

Part No.	Model	Finish
300-013	SS430	300 Series Stainless Steel



Basket Strainer

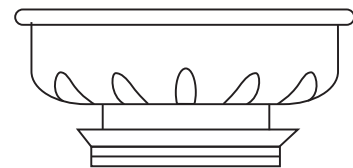
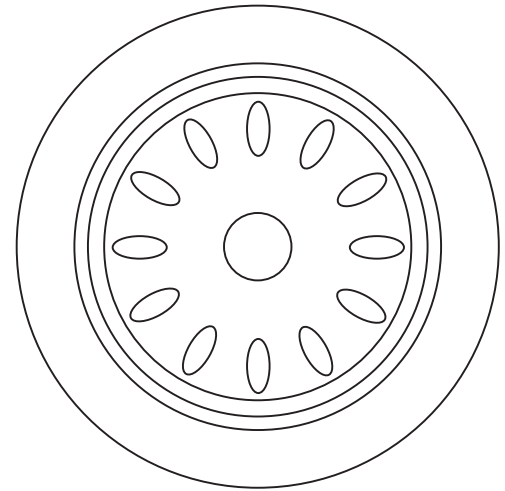
300 Grade Brushed Stainless Steel Sink Strainer



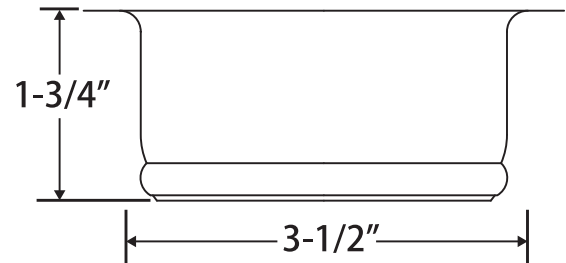
BS-323-DBS Push-N-Seal II®

Description

Garbage disposer cover with strainer, fitted with a soft rubber seat. Fits InSinkErator® and many other brand disposers with the same dimensions and specifications. It is dishwasher safe and the ME-150 acrylic coating guarantees a lifetime warranty against scratches, discoloring or tarnishing.



Part No.	Model	Finish
300-021CLAM	BS-323-DBS	Brushed Stainless



Basket Strainer

Chrome Plated Brass/Brushed Stainless Steel Sink Strainer

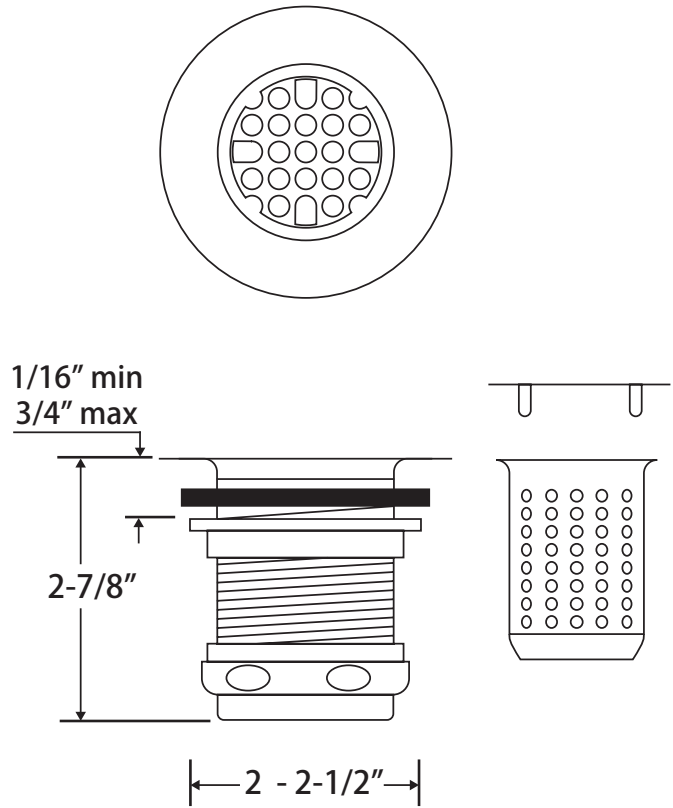


SS-308 Small Wonder™

Description

Body is chrome plated brass or brushed stainless steel. Includes both stainless steel grid and deep cup basket. Brass tail nut is standard. Fits 2" to 2-1/2" sink openings.

Part No.	Model	Finish
300-101	SS 308	Chrome Plated Brass
300-019CLAM	BS 315	Brushed Stainless



Basket Strainer

Chrome Plated Brass/Brushed Stainless Steel Sink Strainer

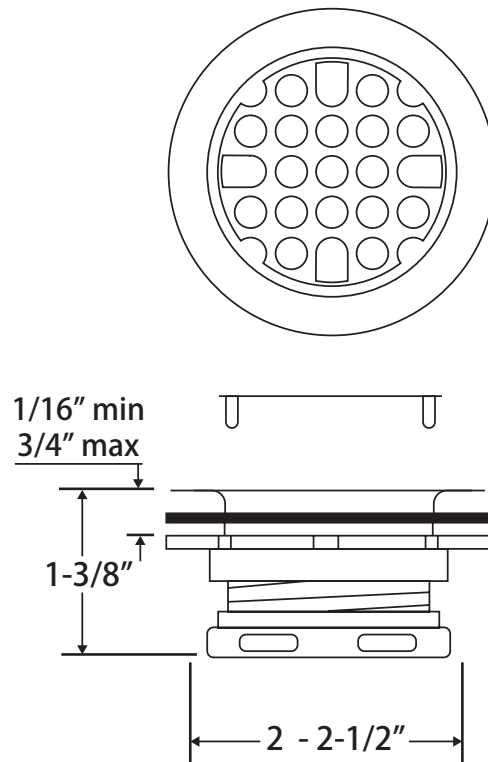


SS-310 Bar-ette™

Description

Body is chrome plated brass or brushed stainless steel. Grid is stainless steel. Brass tail nut is standard. Fits 2" to 2-1/2" sink openings.

Part No.	Model	Finish
300-102	SS 310	Chrome Plated Brass
300-020CLAM	BS 316	Brushed Stainless



Basket Strainer BUILDERS SERIES



430 Grade Stainless Steel Sink Strainer

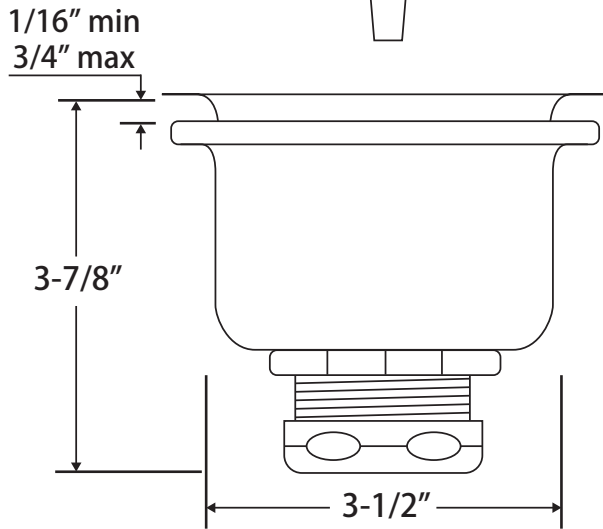
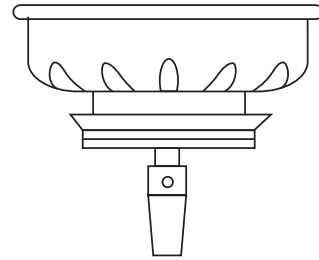
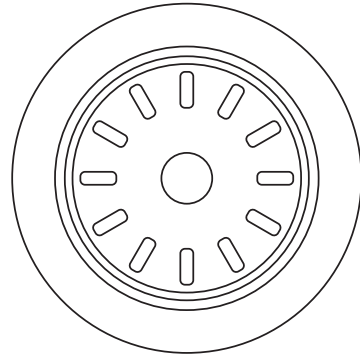


SS406 Snap Loc

Description

The most innovative basket strainer in history. The basket seals to the body through a ball bearing in the post, creating a positive leakproof seal. Deep cup body and basket are 300 series stainless steel and both are buffed creating a high polish finish. Hand knob and post are chrome plated brass and the ball bearing is 300 series stainless steel. Zinc nuts are standard. Available with brass tail nut (SS-306BTN) or brass tail nut and locknut (SS-306B).

Part No.	Model	Finish
305-406	SS 406	430 Stainless Steel



Basket Strainer BUILDERS SERIES

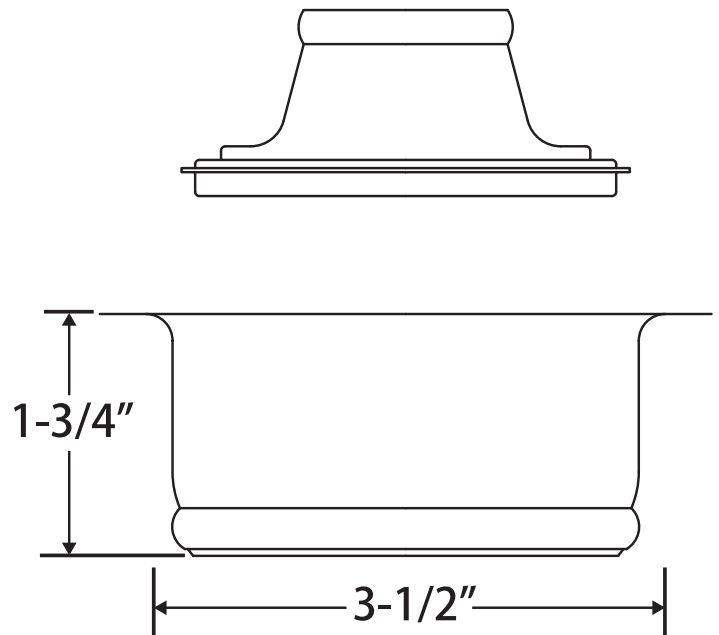
430 Grade Stainless Steel Sink Strainer



SS400 Disposer with Stopper

Description

Jomar's disposer with stopper fits InSinkErator® and many brand disposers with the same dimensions and specifications.

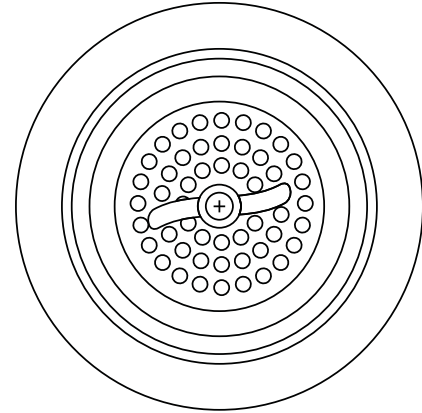


Part No.	Model	Finish
305-400	SS 400	430 Stainless Steel

Basket Strainer BUILDERS SERIES



430 Grade Stainless Steel Sink Strainer

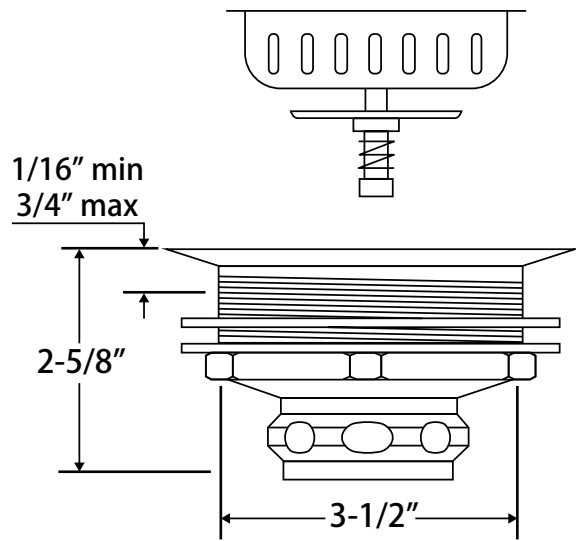


SS404 Twist Loc

Description

The Twist Loc strainer from Jomar utilizes a twisting wrist action that creates a positive metal to metal leakproof seal. Manufactured with high quality 400 series chrome

Part No.	Model	Finish
305-404	SS 404	430 Stainless Steel



Basket Strainer BUILDERS SERIES

430 Grade Stainless Steel Sink Strainer

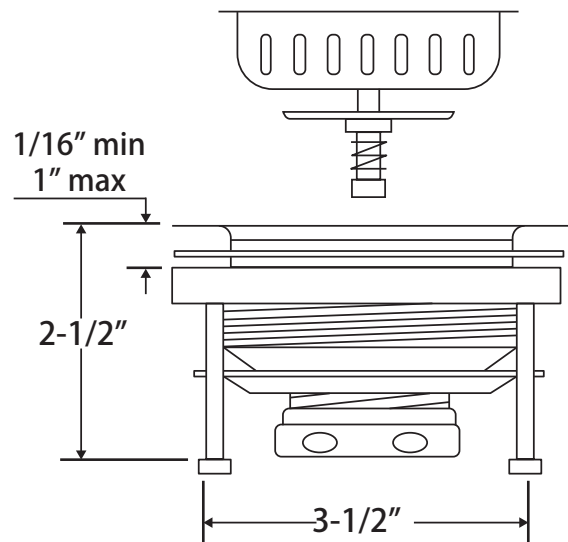
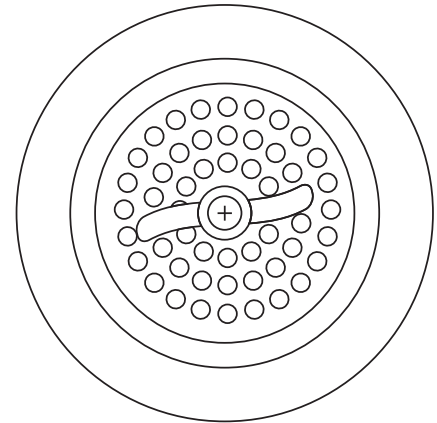


SS405 Easy Loc

Description

The essence of quality. Same design as the Twist-N-Loc™ but with a labor saving mounting device. The three bolts may be tightened with a screwdriver or may be motor driven. Installation is a snap. Brass tail nut is standard. Fits 3-1/2" to 4" sink openings.

Part No.	Model	Finish
305-405	SS 405	430 Stainless Steel



Basket Strainer BUILDERS SERIES



430 Grade Stainless Steel Sink Strainer

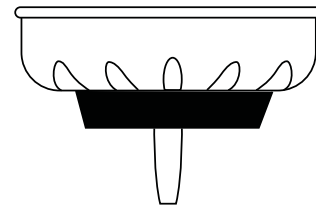
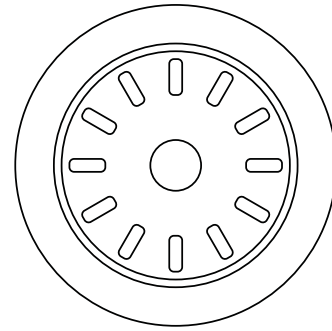


SS409 Basic Sink Strainer

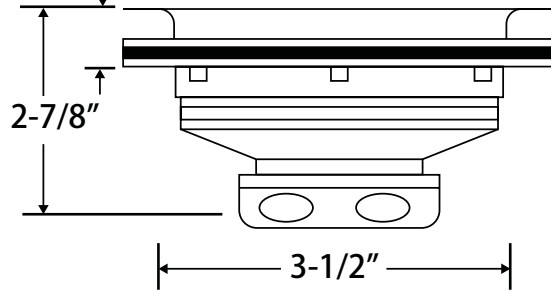
Description

The Deep Cup strainer fits 3-1/2" to 4" sink openings and is easy to install.

Part No.	Model	Finish
305-408	SS 409	430 Stainless Steel
305-409	SS 409 Deep Cup	430 Stainless Steel



1/16" min
3/4" max



Basket Strainer BUILDERS SERIES

400 Grade Stainless Steel Sink Strainer

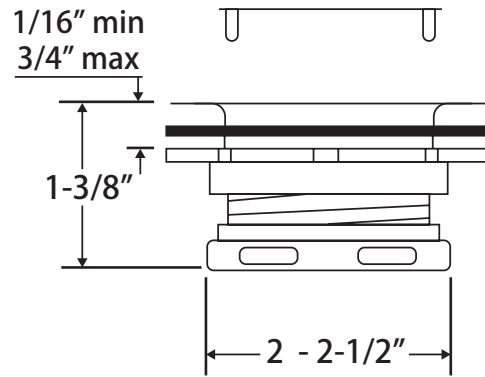
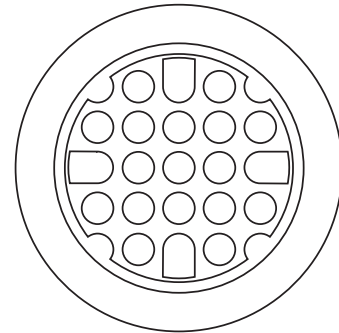


SS410 Bar Sink Strainer

Description

Jomar's Bar Sink strainer fits most standard bar sinks.

Part No.	Model	Finish
305-410	SS 410	430 Stainless Steel





Basket



SS-308 Basket



Grid



Brass Tail nut



Zinc Locknut

Basket Strainer Parts

Basket Parts

Part No.	Model	Piece
301-001	SS 304	Basket
301-021	SS 305	Basket
301-002	SS 306	Basket
301-003	SS 410	Basket
301-004	SS 420	Basket
301-005	SS 430	Basket
301-006	SS 440	Basket
301-010	SS 308	Basket
301-011	SS 310	Grid
302-101	-	Rubber Gasket
302-102	-	Paper Follower

Brushed Stainless Basket Strainer/Disposer Parts

Part No.	Model	Piece
301-017	BS 313B	Basket
301-018	BS 314-DFC	Cover (with rubber seal)
301-019	BS 315	Basket
301-020	BS 315 & BS 316	Grid

Basket Parts

Part No.	Model	Piece
Locknuts and Tail nuts for Models SS-304, SS-410, SS-430		
Part No.	Model	Piece
302-103	-	Zinc Locknut
302-104	-	Brass Locknut
302-105	-	Zinc Tail nut
302-106	-	Brass Tail nut

Cut Type Locknut for Models SS-306, SS-420, SS-440, SN-307B

Part No.	Model	Piece
302-105	-	Zinc Tail nut
302-106	-	Brass Tail nut
302-107	-	Zinc Locknut for Cup Type
302-108	-	Brass Locknut for Cup Type
302-109	-	Plastic Tail nut Washer
302-199	-	1-1/2" x 4" Chrome Tailpiece



Jomar Valve offers a **Lifetime Limited Warranty** for leakage through the valve stem for the valve models listed below. Because **Jomar** valves are equipped with a triple stem seal (double Viton® O-rings and Hostaflo® packing gland), valves properly installed and maintained within our normal recommendations for application and service are covered by warranty for life for leakage through the stem. The warranty will be nullified if it is determined that the product has been misused, abused, improperly installed or has failed as a result of freezing.

Jomar Valve models covered under this warranty are listed below. If a leak through the valve stem is detected, the packing nut should be tightened (if available). If after tightening the packing gland there is still stem leakage **Jomar Customer Service** should be contacted for a Return Goods Authorization (RGA) at 800-325-5690. Only once authorization has been obtained should the product be forwarded to Jomar at the address specified on the RGA via prepaid freight with the RGA number prominently displayed. For breach of this warranty on the products below the purchaser is limited to the following damages: If after factory analysis it is determined that a defect is present, **Jomar Valve** will forward a replacement product, freight paid, to the address listed on the RGA form unless instructed otherwise. If an exact replacement product is no longer available, Jomar Valve may opt to either replace the product with a similar product of type and/or function or refund the original purchase price of the returned product. Additionally a check in the amount of \$25.00 may be authorized to the installing contractor directly to offset any installation costs. This warranty specifically excludes incidental and consequential damages of any type resulting from a claimed defect in material or workmanship. This includes but is not limited to property damages and personal injury.

Models Covered Under Life Time Limited Warranty

T-100NEG	S-100SSE	T-100FB	T-203DU
JP-100GPxP	T-100SSS	TWV-3W-KIT	125-LWN (MxF)
T-100C	JP-100PxP	T-82	175-LWN
S-100C	JP-100P XLC	S-100-DUE	175-LWIN
TWV-3W-KIT-G	T-100FMN	T-100P-SS-WS	175-LWIBP
TWV-3W-KIT-G1	S-100FMN	T-205	125-LWBP
T-100NE	T-100UE	T-204	175-LWBP
S-100NE	T-100STN	T-204DU	125-LWUBP
T-100-SSE	S-100STN	T-203	

Note: Information is subject to change without notice.

Note: Information subject to change without notice.



T-100NE
www.theballvalve.com

7243 Miller Drive • Warren, MI 48092
phone: (586) 268-1220 • fax: (586) 979-8315 • email: csr@jomar.com
www.jomarvalve.com